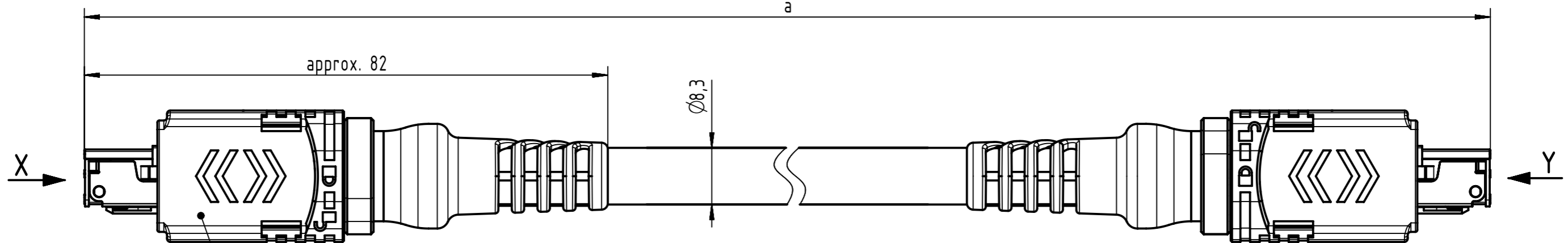


Connector Location A

Connector Location B

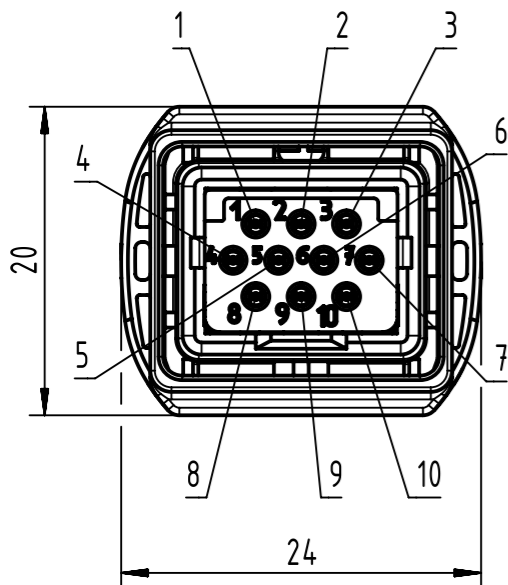


HARTING PushPull V4 2.0 Signal,  
10-pole, overmolded

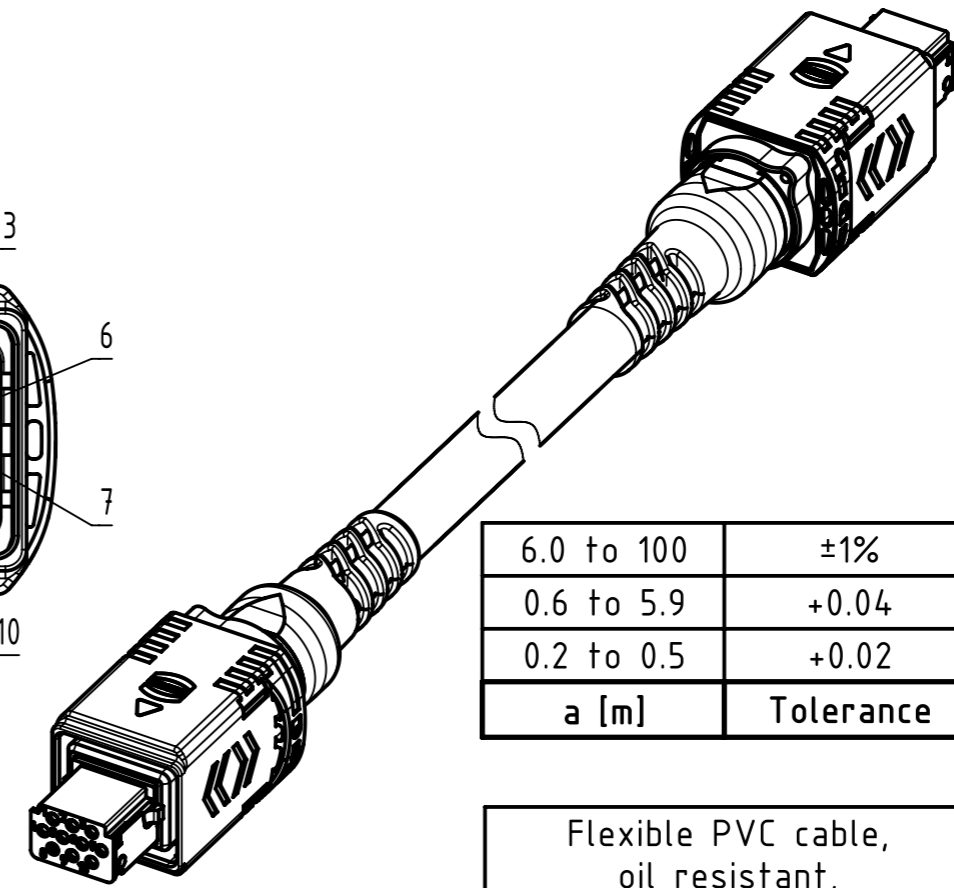
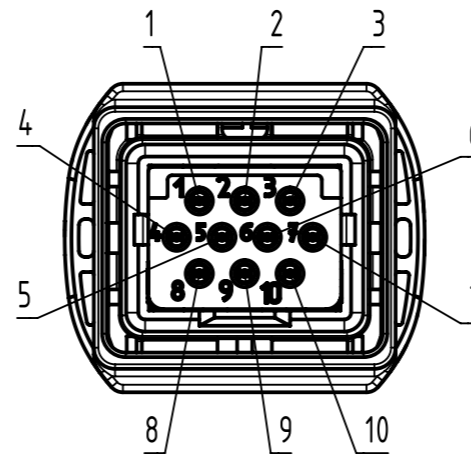
X  
female

Loading-Plan

Y  
female



- 1 black 1
- 2 black 2
- 3 black 3
- 4 black 4
- 5 black 5
- 6 black 6
- 7 black 7
- 8 black 8
- 9 black 9
- 10 green/yellow



6.0 to 100	±1%
0.6 to 5.9	+0.04
0.2 to 0.5	+0.02
a [m]	Tolerance

length in "1m" step	100	XXX=000
	99	XXX=990
	.	.
length in "0.1m" step	12	XXX=120
	11	XXX=110
	10	XXX=100
	9.9	XXX=099
	9.8	XXX=098
	.	.
	.	.
Step	a[m]	XXX

Flexible PVC cable, oil resistant, 10xAWG20, grey	094831318A6XXX
Type of cable	Part no.

- Protection level: IP65/67
- Temperature range: -40°C ... +70°C

All rights reserved Department HCS - RO		Tech. Character.		Free size tol.		According to production drawing	
HARTING Customised Solutions D-32339 Espelkamp		Created by COSTEA	Inspected by COSTEA	Standardisation MUNTEANV	Date 2018-07-26	State Final Release	
Title PPV4 2.0 Signal 10p d.e. 10G0.5qmm						Doc-Key / ECM-Nr. 100696923/UGD/000/C 500000137903	
Type TB		Number 094831318A6XXX				Rev. C	Page 1/1