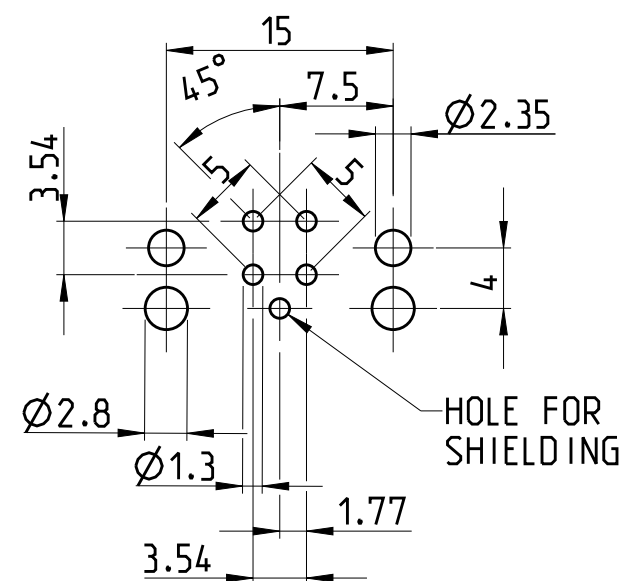


REVISIONS		DATE	DWN	APVD
ÄNDERUNGEN				
P	LTR	DESCRIPTION		
		BESCHREIBUNG		
A		NEW RELEASE	04DEC2014	TJ PS
A1		CORRECTED RATED VOLTAGE & VOLUME RESISTIVITY IN TECHNICAL DATA TABLE. CONTACT MATERIAL BRASS TO BRONZE. CONTACT PLATING FROM TIN TO GOLD.	09NOV2015	TJ NG

CONDUCTOR LAYOUT

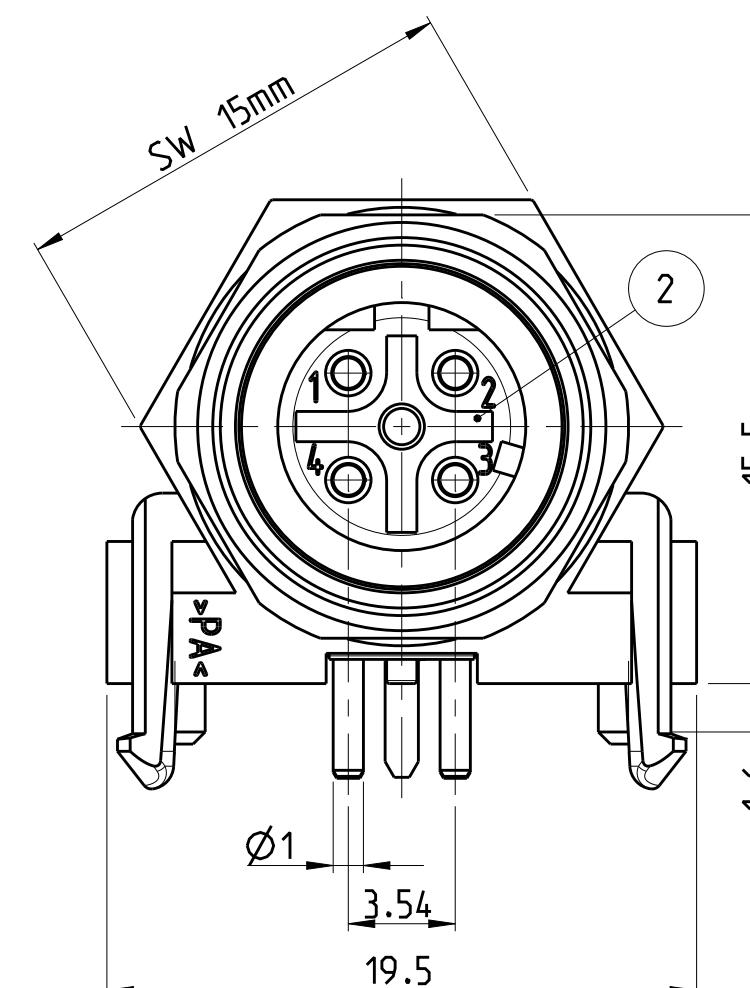
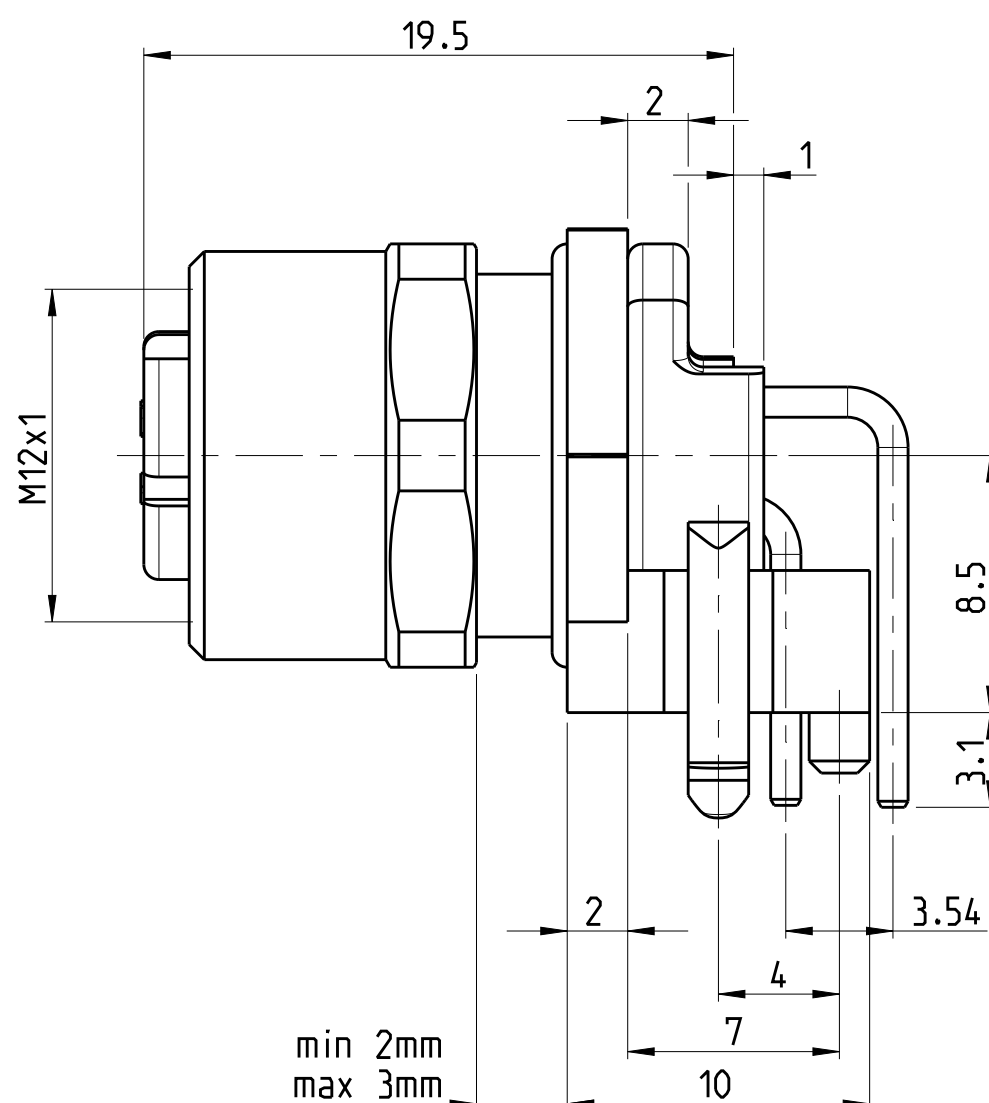


NOTES:

- 1 MATERIAL: ITEM NO. 1: HOUSING - CuZn (BRASS, NICKEL PLATED)  
 ITEM NO. 2: CONTACT BODY - PA (GREEN)  
 ITEM NO. 3: CONTACT CONTACT FINISH - CuSn (BRONZE) - Au (GOLD)

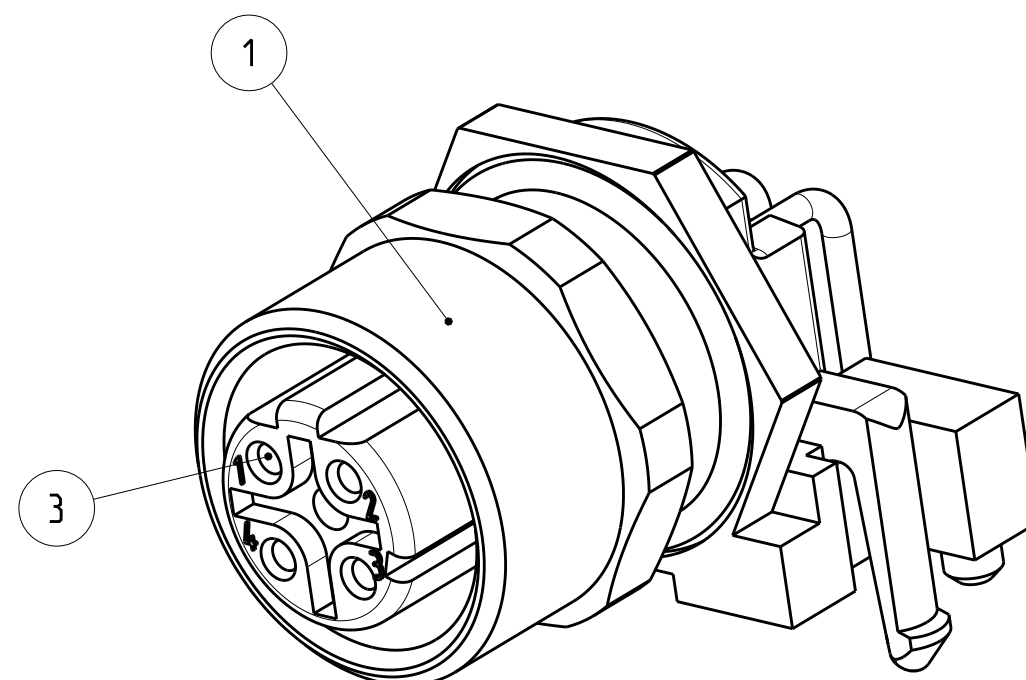
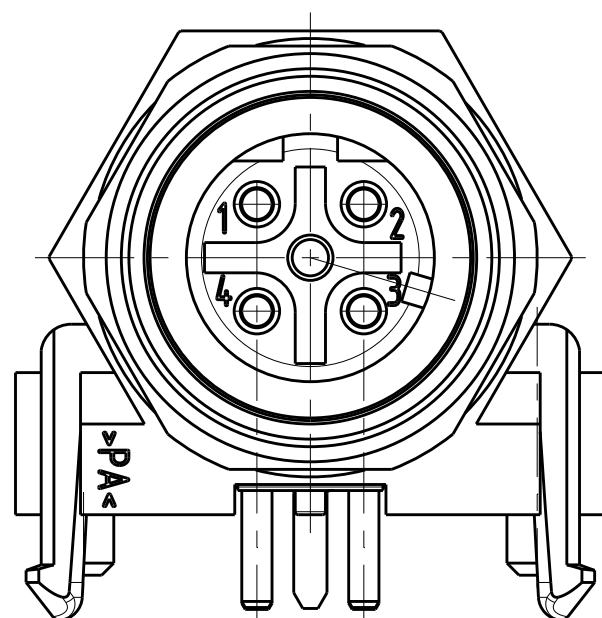
2 ALL DIMENSIONS ARE FOR NOMINAL REFERENCE ONLY UNLESS OTHERWISE STATED

TECHNICAL DATA	3-2172066-2
RATED VOLTAGE	250V
RATED IMPULSE VOLTAGE	2500V
POLLUTION DEGREE	3
OVERVOLTAGE CATEGORY	II
MATERIAL GROUP	II
RATED CURRENT	4A
VOLUME RESISTIVITY	≤ 3 mΩ
DEGREE OF PROTECTION	IP67
UPPER TEMPERATURE	+85 °C
LOWER TEMPERATURE	-40 °C



PIN ARRANGEMENT D-CODING

3-2172066-2



SIZE ISO 14405 (E)

DIESE ZEICHNUNG IST EIN KONTROLLIERTES DOKUMENT. BEMASSUNGEN UND TOLERANZEN GEMAESS GPS (ISO STANDARDS).

THIS DRAWING IS A CONTROLLED DOCUMENT. DIMENSIONING AND TOLERANCING PER GPS (ISO STANDARDS).

DIMENSIONS: MASSEINHEITEN: (MM)	TOLERANCES UNLESS OTHERWISE SPECIFIED: ALLGEMEINTOLERANZEN	DWN YASHKUMAR 25 JUL 2014
0 PLC ±	1 PLC ±	CHK M. BRUBAKER 25 JUL 2014
2 PLC ±	3 PLC ±	APVD M. BRUBAKER 25 JUL 2014
4 PLC ±	ANGLES/WINKEL ±	NAME
FINISH/OBERFLÄCHE/FARBE		PRODUCT SPEC 108-19483
		APPLICATION SPEC 114-32127
MATERIAL		WEIGHT
SEE NOTES	SEE NOTES	Customer Drawing

1	4	3-2172066-2
MATERIAL	NUMBER OF POLES	TE-PART-NO.



M12 RECEPTACLE, FEMALE, PCB MOUNT ANGLED, SHIELDED, D-CODED

SIZE A2	CAGE CODE 00779	DRAWING NO. ZEICHNUNGS-NR. C-2172066	RESTRICTED TO NUR FÜR -
SCALE MASSSTAB 4:1	SHEET BLATT 1	OF VON 1	REV A1