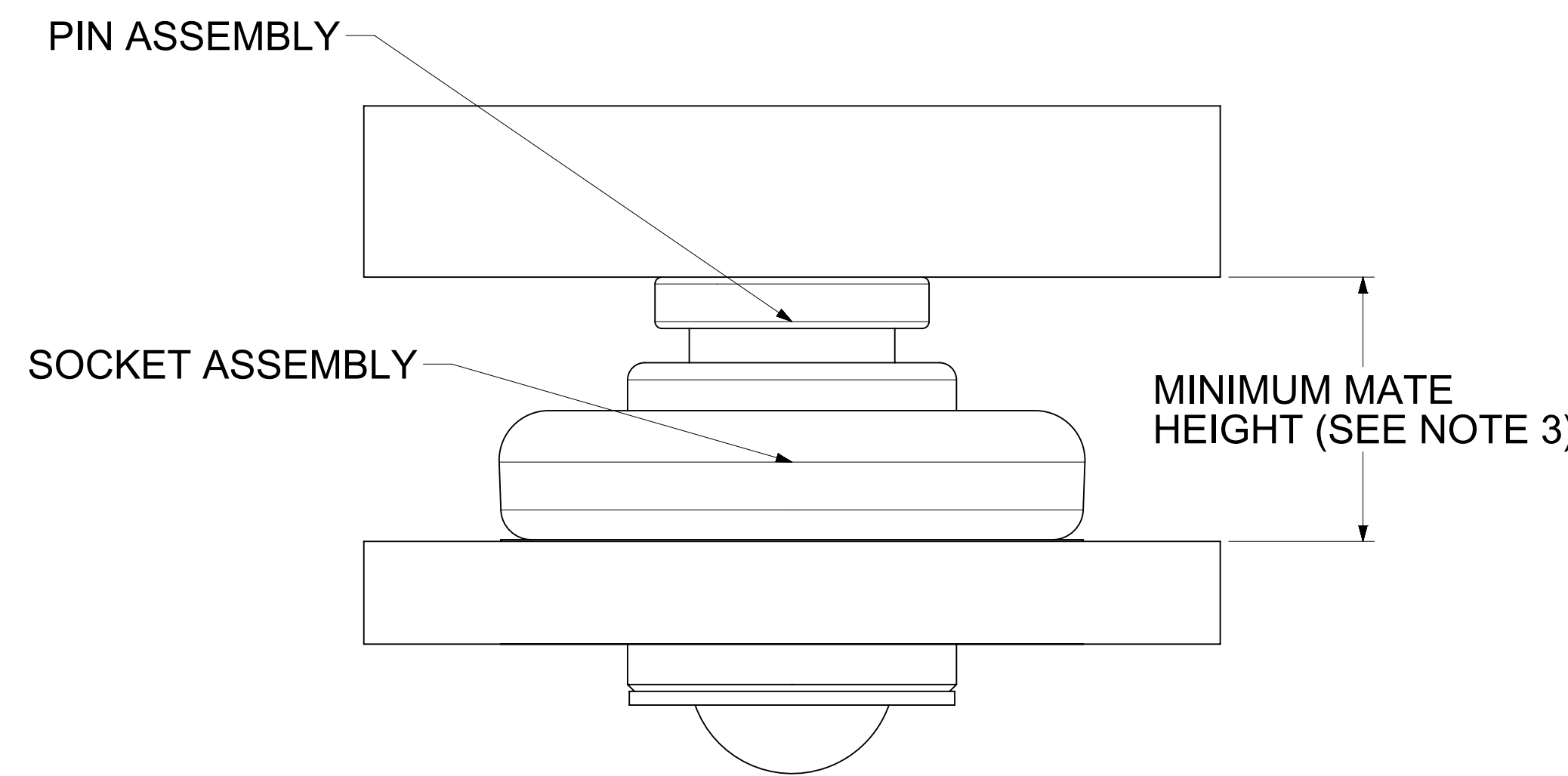
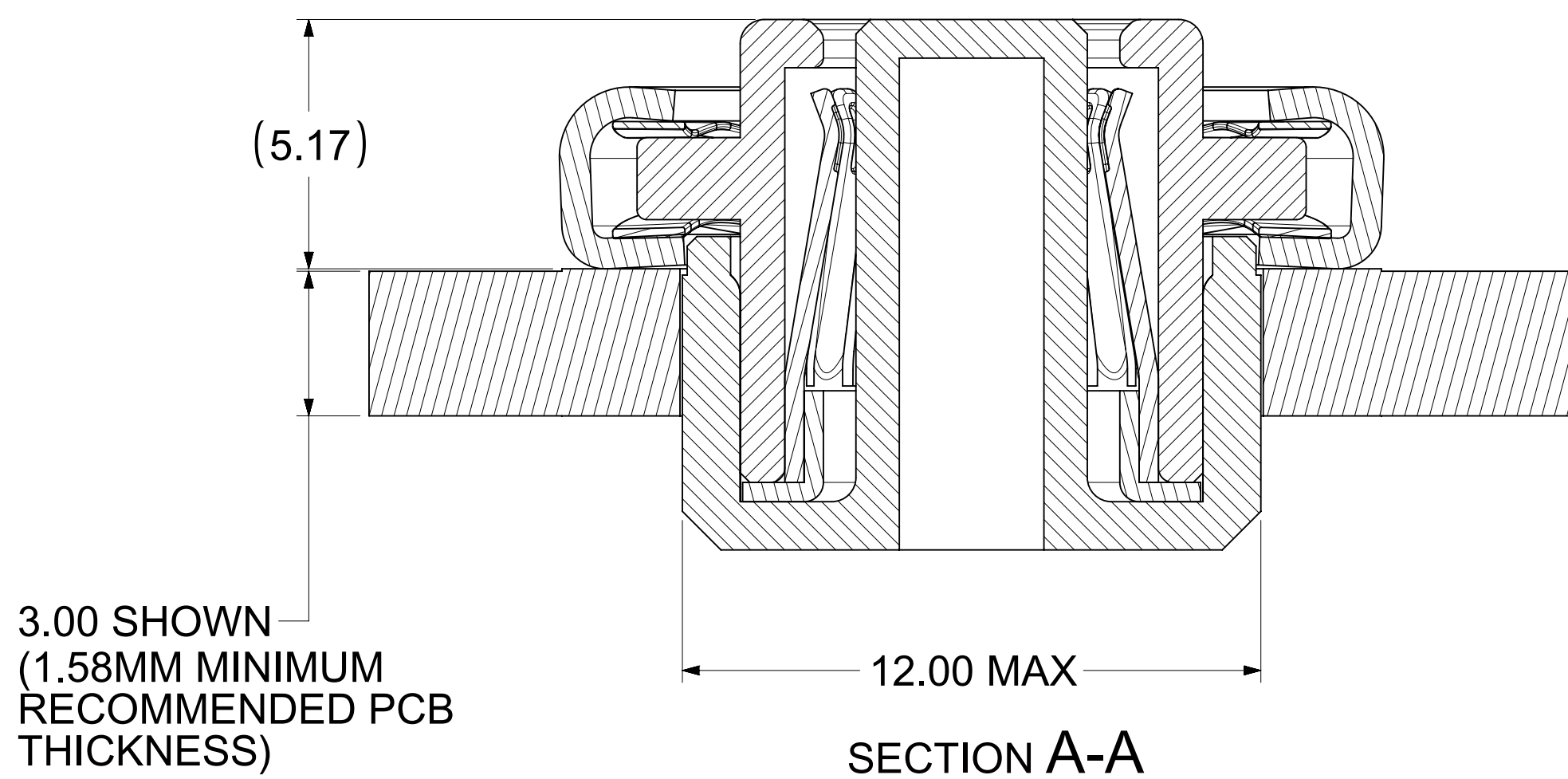
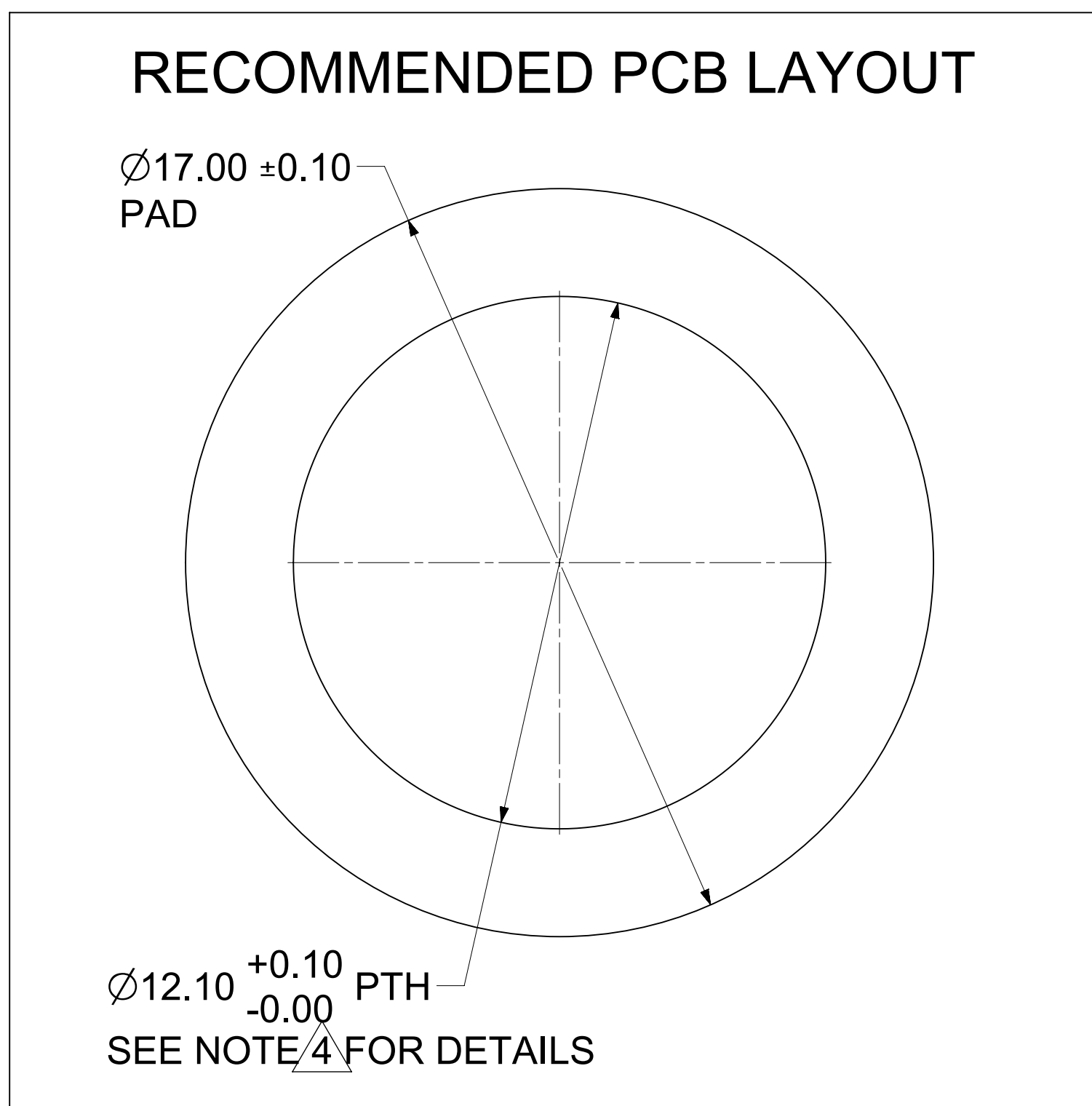
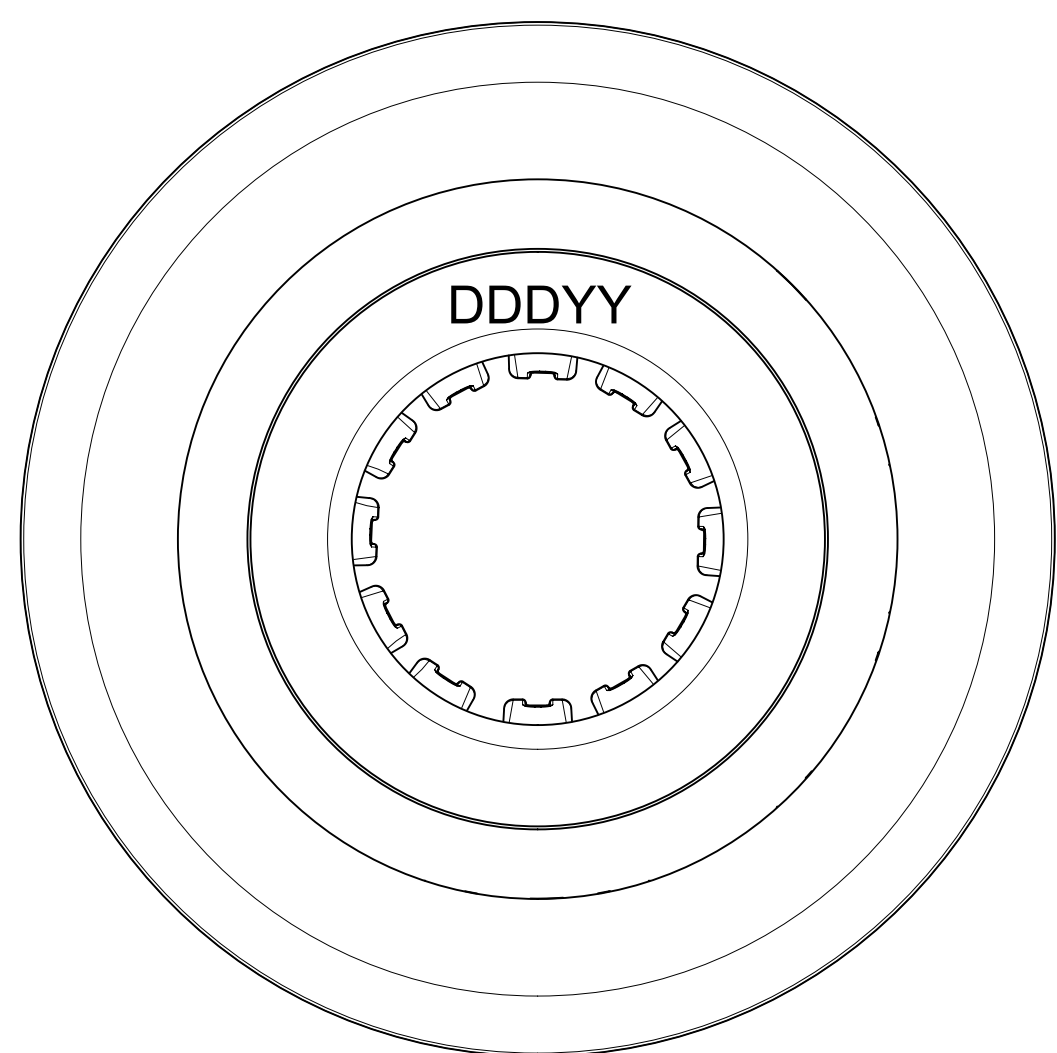
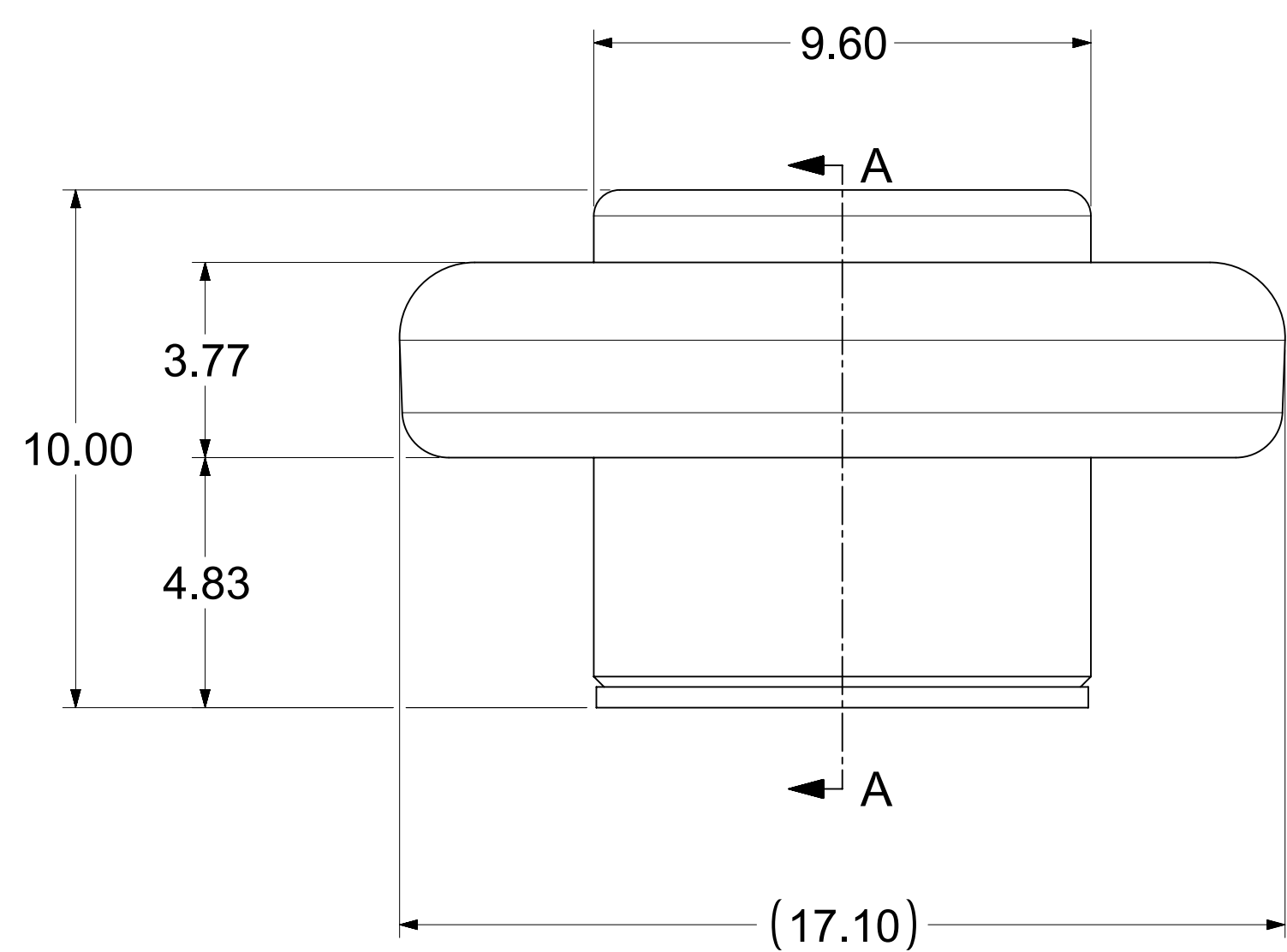


REMOVABLE PICK AND PLACE CAP SHOWN



MATING PROFILE

NOTES:

1. MATERIALS:
 RETENTION CAP: STAINLESS STEEL
 PICK AND PLACE CAP: LCP UL94, V-0 COLOR BLACK
 BASE METAL: HIGH CONDUCTIVE COPPER ALLOY
 PLATING ON CONTACTS: 0.75 MICRON MIN GOLD OVER 1.27 MICRON MIN NICKEL
 PLATING ON BODY: 3.18 MICRON MIN SILVER OVER 1.27 MICRON MIN NICKEL
2. MATES WITH THE STANDARD PIN DRAWINGS:
 - i. 6.0MM SMT DRAWING 2032630136-SD, MIN. MATING DISTANCE 7.92MM
 - ii. 6.0MM PRESS FIT DRAWING 2032630006-SD, MIN. MATING DISTANCE 7.67MM
 - iii. 6.0MM SCREW MOUNT DRAWING 2032636185-SD, MIN. MATING DISTANCE 10.67MM
3. PRODUCT SPECIFICATION: 2043130006-PS
4. APPLICATION SPECIFICATION: 2043130006-AS
5. PACKAGING SPECIFICATION: 2043650006-PK
6. SILVER COMPONENTS WILL BE SUPPLIED TARNISH FREE BUT MAY TARNISH OVER TIME.
7. PICK AND PLACE CAP TO BE REMOVED AFTER SOLDERING. CAP TO BE PUSHED OUT OF BOTTOM FROM THE TOP.
8. DATE CODE TO BE LASER MARKED APPROXIMATELY WHERE SHOWN USING DDDYY FORMAT

THIS DRAWING CONTAINS INFORMATION THAT IS PROPRIETARY TO MOLEX ELECTRONIC TECHNOLOGIES, LLC AND SHOULD NOT BE USED WITHOUT WRITTEN PERMISSION									
DIMENSION UNITS mm		SCALE NTS		CURRENT REV DESC: UPDATED THE TITLE BLOCK					
GENERAL TOLERANCES (UNLESS SPECIFIED)				<div style="text-align: center;">molex</div> <p>6.0MM SENTRALITY TOP ENTRY SMT SOCKET WITH FLOAT IN TRAY</p> <p>PRODUCT CUSTOMER DRAWING</p>					
ANGULAR TOL ± 0.5°									
4 PLACES ±		EC NO: 747243							
3 PLACES ±		DRWN: SACHIK7 2023/02/28							
2 PLACES ± 0.15		CHK'D: SCS02 2023/04/25							
1 PLACE ± 0.25		APPR: HTHYAGARAJ 2023/04/26		INITIAL REVISION:		DOC TYPE		DOC PART	
0 PLACES ±		DRWN: JJONIAK 2018/03/06		2043650006-SD		PSD		000	
DRAFT WHERE APPLICABLE MUST REMAIN WITHIN DIMENSIONS		THIRD ANGLE PROJECTION		DRAWING		SERIES		MATERIAL NUMBER	
		D-SIZE		204365		2043650006		GENERAL MARKET	
DOCUMENT STATUS		P1		RELEASE DATE		2023/05/08 05:38:48		REVISION	
								1 OF 1	