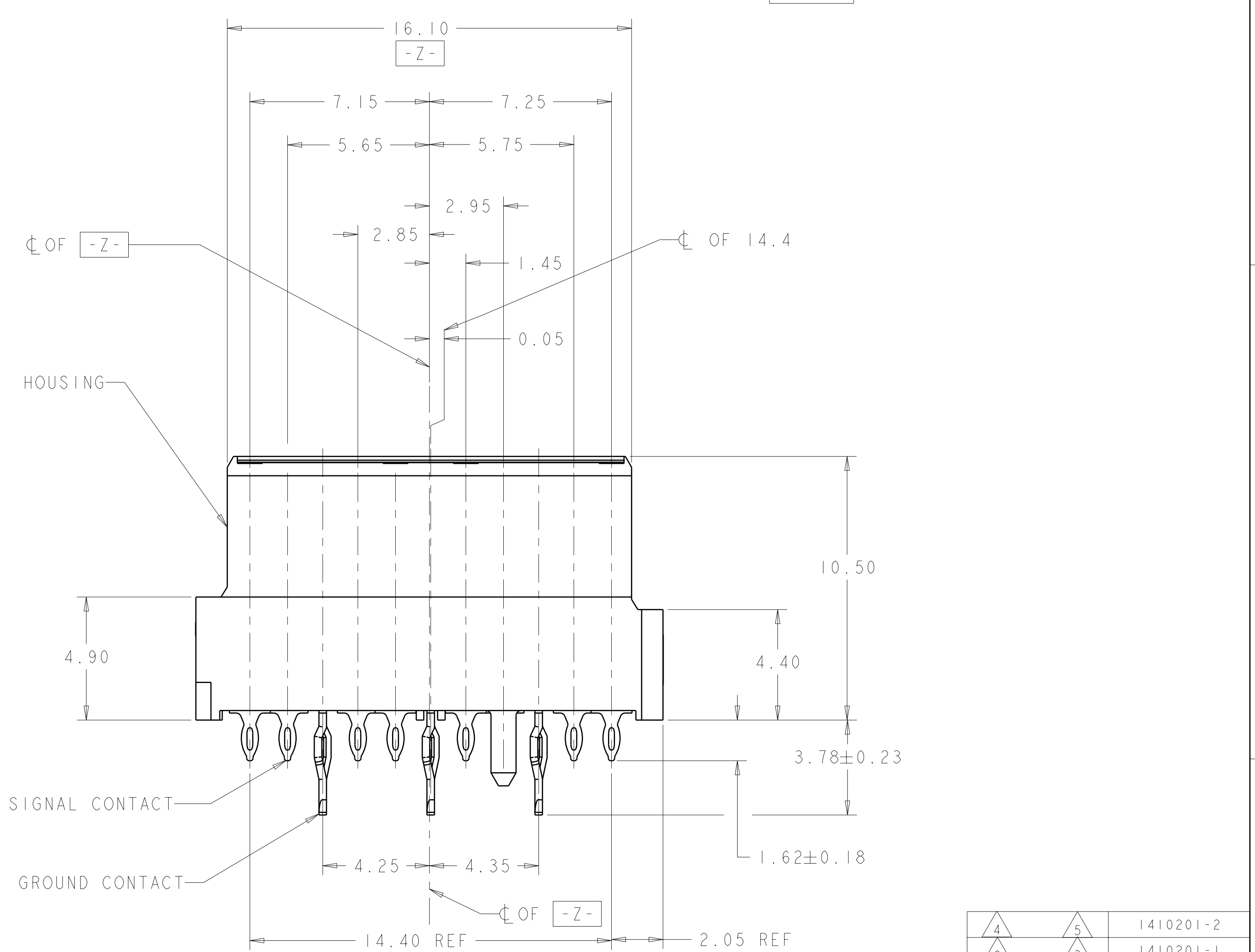
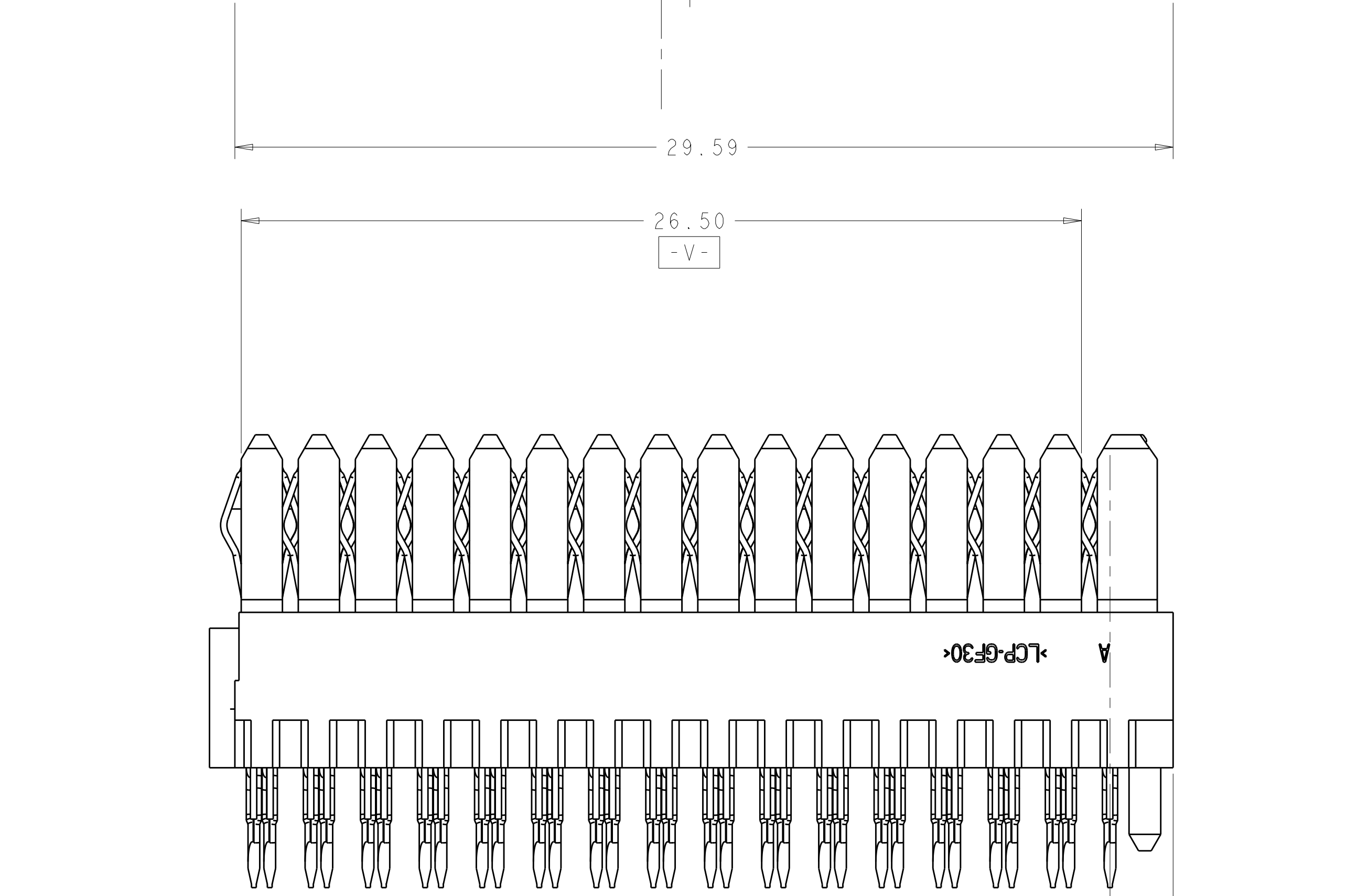
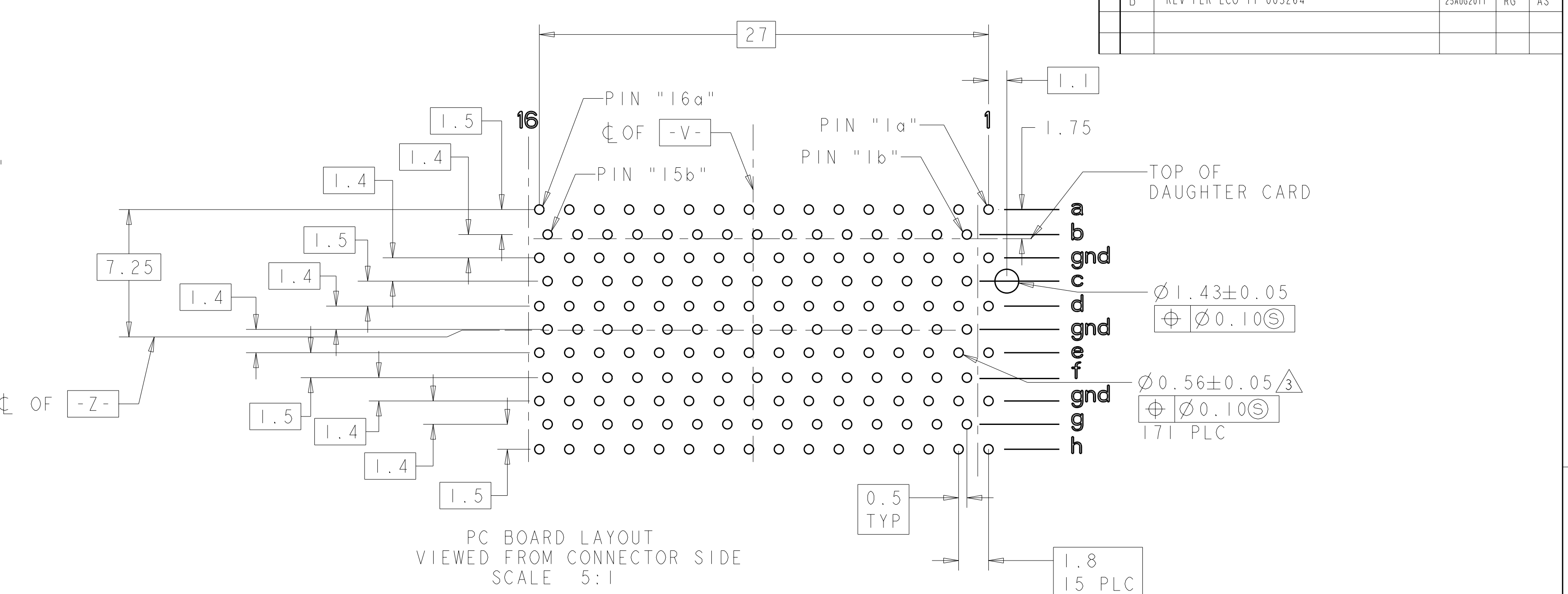
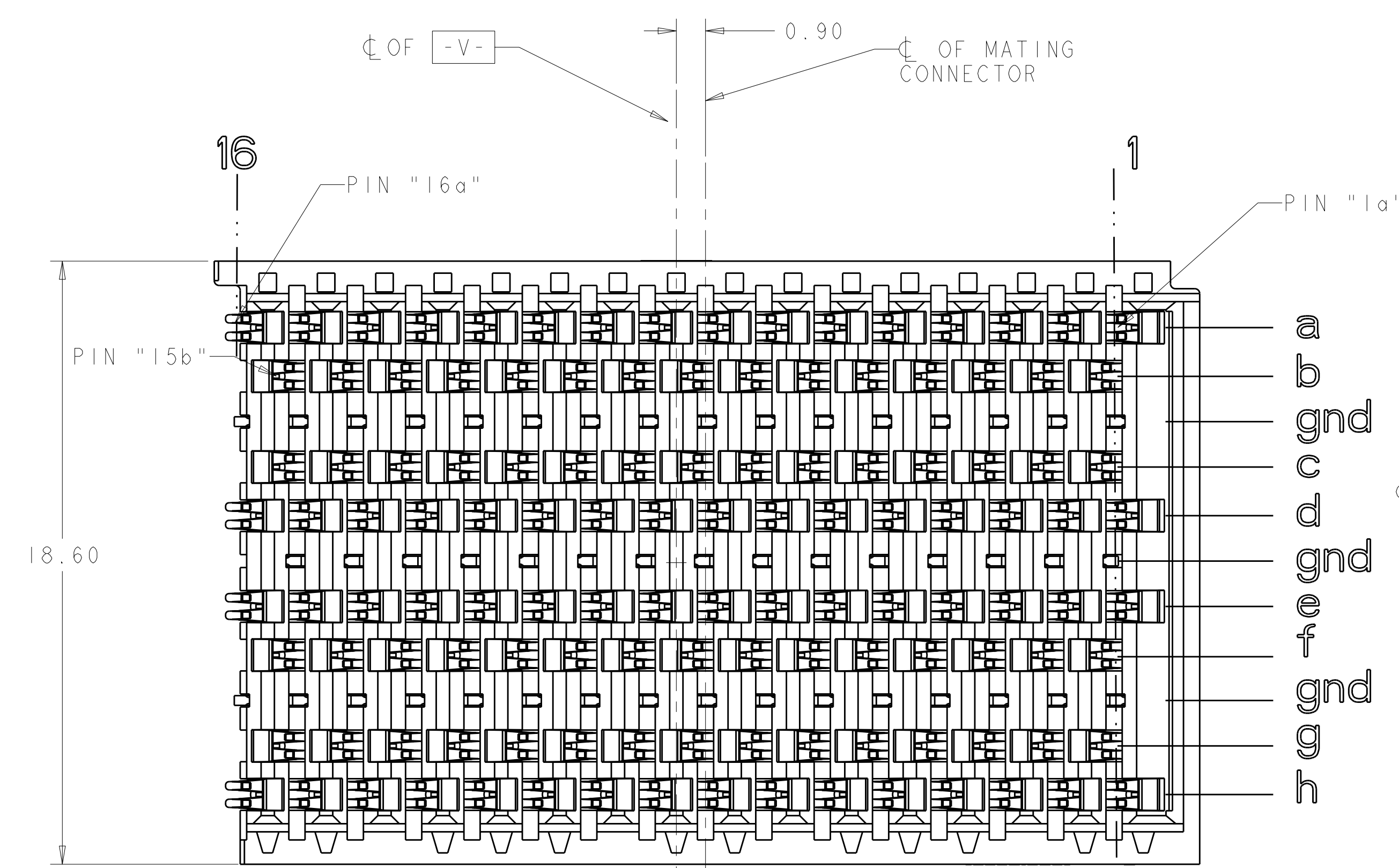


LOC	DIST	REV	DATE	BY	APPD
AD	00	A	29JUL2004	BW	GG
		B	25AUG2011	RG	AS



- 1 HOUSING: LCP, UL94V-0, BLACK.
CONTACT: PHOSPHOR BRONZE.
- 2 1.27µm GOLD PER ASTM B 488 IN CONTACT AREA, 1.27µm MIN TIN-LEAD ON PCB TAIL, OVER 3.81µm MIN NICKEL PER SAE AMS-QQ-N-290 OVER ALL.
- 3 MANUFACTURING TOLERANCE FOR $\varnothing 0.56 \pm 0.05$ DIAMETER FINISHED HOLE:
DRILLED HOLE: $\varnothing 0.65 \pm 0.02$
COPPER PLATING: 0.050 - 0.025
TIN-LEAD PLATING: 0.0124 - 0.0038.
- 4 1.27 µm GOLD PER ASTM B 488 IN CONTACT AREA, 1.27 µm MIN MATTE TIN PER ASTM B 545 ON PCB TAIL, OVER 3.81 µm MIN NICKEL PER SAE AMS-QQ-N-290 OVER ALL.
- 5 MANUFACTURING TOLERANCE FOR A $\varnothing 0.575 \pm 0.045$ FINISHED HOLE WITHOUT TIN LEAD PLATING:
DRILLED HOLE: $\varnothing 0.65 \pm 0.02$
COPPER PLATING: 0.025 - 0.050

4	5	1410201-2
2	3	1410201-1
CONTACT TAIL/HOLE FINISH		PART NO

DIMENSIONS: mm 		TOLERANCES UNLESS OTHERWISE SPECIFIED: 9 PLC ± 1 PLC ±0.5 5 PLC ±0.13 4 PLC ± ANGLES ±1°		DWN R. TREA 14FEB2003 CHK D. DEFIBAUGH 14FEB2003 APVD D. DEFIBAUGH 14FEB2003 NAME: Tjco Electronics Tyco Electronics Harrisburg, PA 17105-3608	
MATERIAL:		FINISH:		PRODUCT SPEC: 108-2072 APPLICATION SPEC: 114-13056 WEIGHT: - CUSTOMER DRAWING	
SIZE: A11 CAGE CODE: 00779 SCALE: 8:1		DRAWING NO: 1410201 SHEET: 1 OF 1 REV: B		RESTRICTED TO:	