

# AC HARDWIRED SURGE PROTECTION DEVICE

**Model: AHW120-80**



### Features

- Compact design for convenient and effective Surge Protection
- Thermal fused metal oxide varistor (MOV) protection technology
- Common Mode Surge protection
- Heavy duty surge protection
- LED "ON" for visual protection status monitoring
- Indoor or outdoor installation
- UL1449 4th Edition Listed

### Applications

- Service entrance, branch and OEM panels
- Electrical Systems and Equipment
- Protection from lightning, Induction and AC Infrastructure generated Surges
- Indoor and Outdoor Equipment
- Security, Light-Industrial and Telecommunication Systems
- Other commercial applications

### General Information

The ITW/Linx AHW Series is a Type 2 Hardwired surge protective device targeted to protect AC powered and connected equipment and systems from the destructive force of Surges. These state of the art protection devices offer a convenient and modern solution, resulting in reliable operations and long term performance.

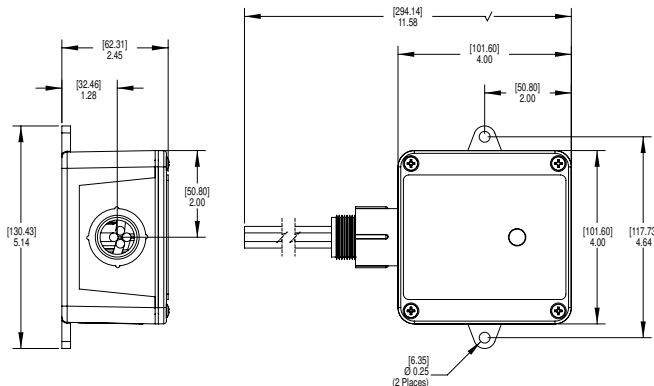
### Electrical Characteristics

Electrical Distribution System	120VAC Single Phase 2W+G
Nominal (Operating) Voltage	120VAC L-N, L-G & N-G
Maximum Operating Voltage (MCOV)	150VAC L-N, L-G & N-G
Nominal Discharge Current 8/20us (In)	20KA
Maximum Discharge Current 8/20us (Imax)	80KA
Modes of Protection	L-N, L-G, N-G
Internal Thermal Disconnect	Yes
Operating Frequency	50/60Hz
Short Circuit Current rating (Scrr)	65KA with max 200 Amp breaker

### Mechanical Characteristics

Enclosure Type (outdoor)	Type 4 Non Metallic
Environmental Rating	IP 66 / NEMA 4x
Operating Temperature	-40°C to +85°C
Operating Humidity	0 to 95% non-condensing
Mounting	Wall
Mechanical Connection to Panel	Conduit Nut and Convenient bracket
Enclosure Dimension (L x W x H)	11.58" x 5.14" x 2.45"
Weight	4.0 lbs
Electrical Connection	12 AWG stranded wiring leads, 14 inches max. length
Diagnostics and Status	Green LED ON

### Dimensions



Standards and Compliance: UL1449 4th Edition, Type 2

Specifications are subject to change without notice.

The device characteristics and parameters in this data sheet can and do vary in different applications and actual device performance may vary over time. Users should verify actual device performance in their specific applications.