

DO NOT SCALE DRAWING
DIMENSION IN METRIC

B

C

PROJECT NO.

SIMILAR ITEM

DWG. NO.
SD 35274-0311

8

7

6

5

4

3

2

MX-A3


	P/NO.	PART NAME	MATERIAL
①	35274-0391	POWERMATE SP FEMALE HSG 3P	PBT BLACK COLOR
②	35275-0380	POWERMATE SP FEMALE TPA 3P	PBT NATURAL COLOR

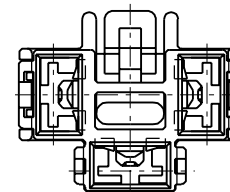
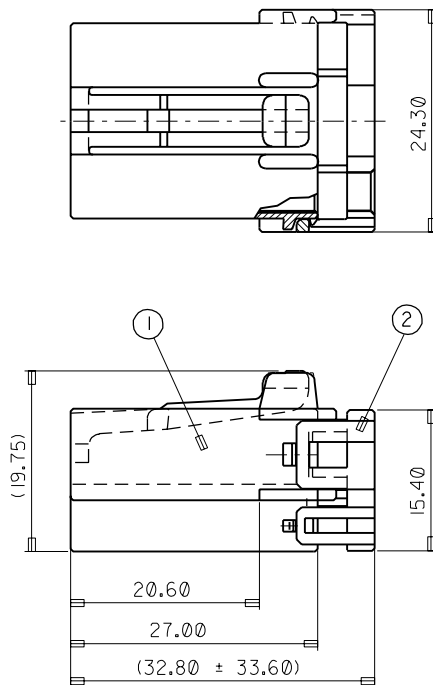
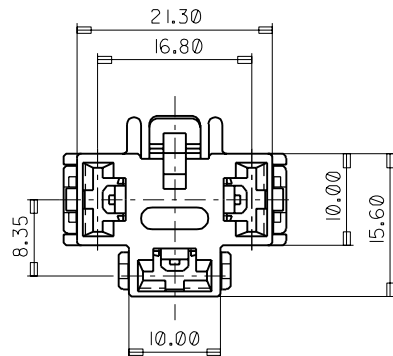
• APPLICABLE TERMINAL : 35427-97** , 98** , 99**
35430-1700, 1800, 1900

NEW RELEASE EC NO. KOR938-0085 DRWN: J.K OH 98.6.2 CHK: J.K OH 98.6.2 APPR:	DESCRIPTION	MAJOR ▽ =
		CRITICAL △ =
A	REV	

	GENERAL TOLERANCES: (UNLESS SPECIFIED)	
	mm	INCH
4 PLACES	±0.	±.
3 PLACES	±0.	±.
2 PLACES	±0.3	±.
1 PLACE	±0.	±.
ANGULAR: ±3 °		
DRAFT WHERE APPLICABLE MUST REMAIN WITHIN DIMENSIONS		

SCALE 2 : 1	DESIGN UNITS <input checked="" type="checkbox"/> mm <input type="checkbox"/> INCH
DRAWN BY & DATE 970922 J.K.OH	
CHECKED BY & DATE	
APPROVED BY & DATE	
CAD FILENAME	

DIMENSIONS: <input type="checkbox"/> mm <input type="checkbox"/> INCH <input checked="" type="checkbox"/> mm ONLY		SHT	REV
THIRD ANGLE PROJECTION		REVISE ON CAD ONLY	
TITLE: POWERMATE SP FEMALE ASS'Y 3P			
 MOLEX INCORPORATED KOREA			
MATERIAL NO. 352-74-0311	DRAWING NO. SD 35274-0311	SHEET NO. 1/1	
THIS DRAWING CONTAINS INFORMATION THAT IS PROPRIETARY TO MOLEX INCORPORATED AND SHOULD NOT BE USED WITHOUT WRITTEN PERMISSION.			SIZE B



F
E
D
C
B