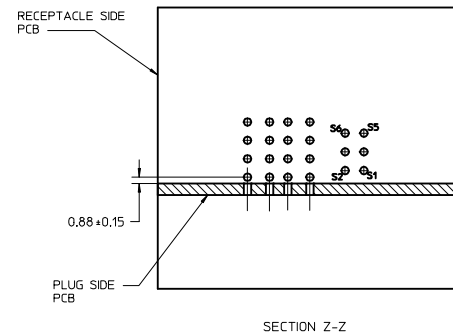
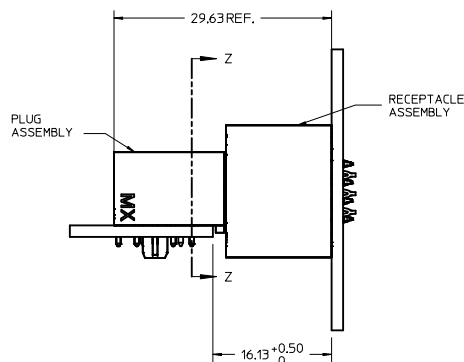
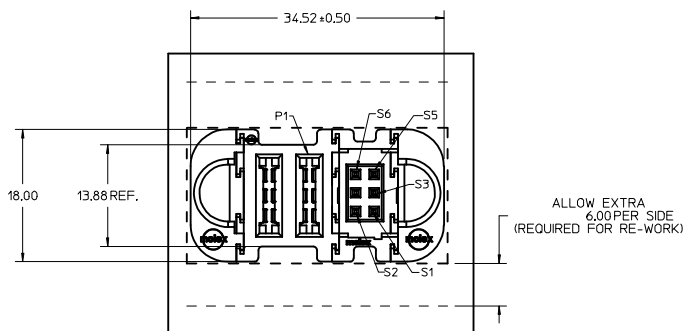
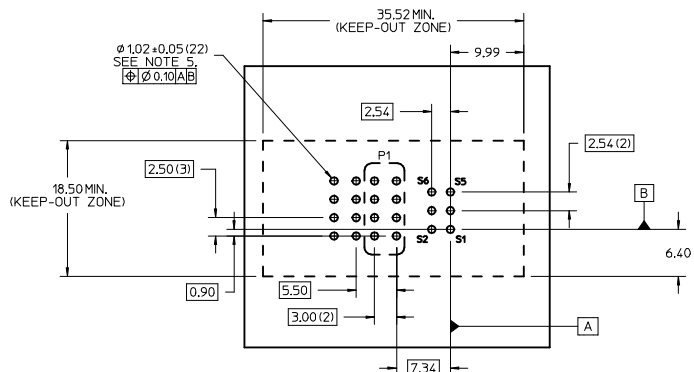


P/N: 46562-1093



SECTION Z-Z

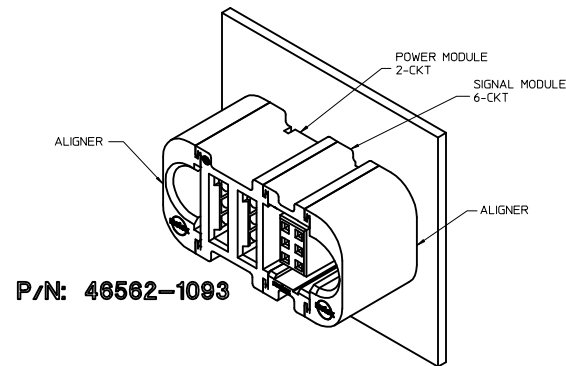
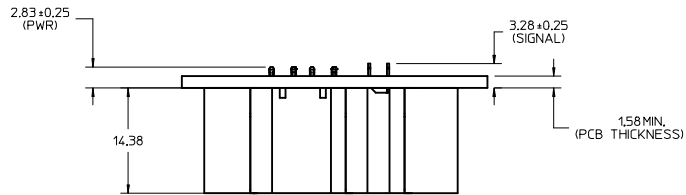


RECOMMENDED PCB LAYOUT AND KEEP-OUT ZONE

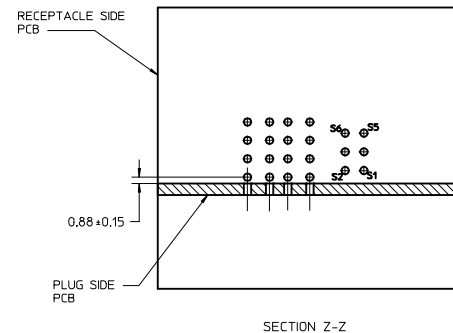
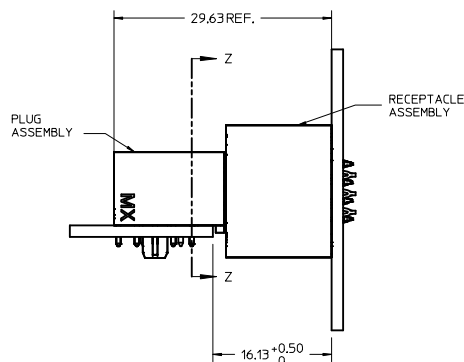
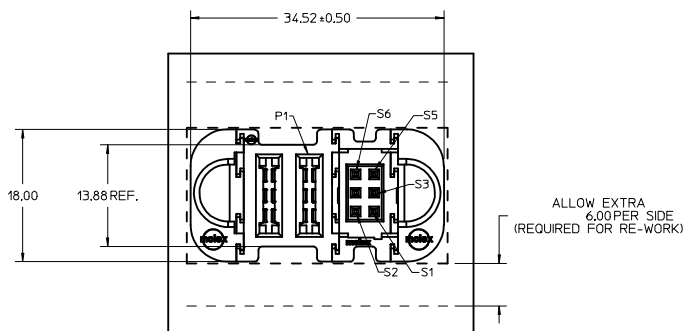
NOTES:

- MATERIAL:
 - HOUSINGS: LCP UL-94, V-0, COLOR: BLACK
 - TERMINALS: COPPER ALLOY
 - PLATING: .00127 NICKEL OVERALL WITH 0.00254 MATTE TIN ON COMPLIANT TAILS AND 0.000762 SELECTIVE GOLD ON CONTACT AREA.
- PACKAGING: ASSEMBLIES TO BE TRAY PACKED, QTY TBD.
- PRODUCT SPEC: PS-46436-100.
- APPLICATION SPEC: AS-46436-100.
- PC BOARD REQUIRES SOLDER THRU HOLES, REFER TO PS-46436-100 FOR DETAILS.
- SEE PRODUCT SPEC FOR RoHS REQUIREMENTS.
- ASSEMBLY MATES TO MOLEX R/A PLUG ASSEMBLY P/N: 46437-1093.

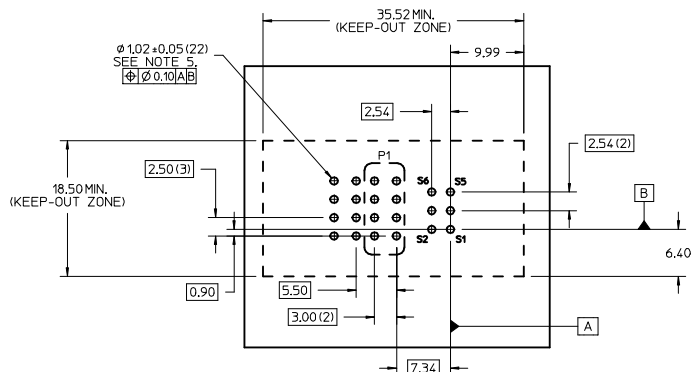
NOTE 1: IEC NO: UICP2010-0885 2009/10/06 DRAWN BY: BKOSTIC 2009/12/14 CHKD BY: BKOSTIC 2009/12/14 APPR: APATEL 2009/12/14 REV: 2	QUALITY SYMBOLS	GENERAL TOLERANCES (UNLESS SPECIFIED)		DIMENSION STYLE MM ONLY		SCALE 3:1	DESIGN UNITS METRIC	THIRD ANGLE PROJECTION	
			mm	INCH	DRAWN BY BKOSTIC	DATE 2009/10/06	TITLE VERTICAL RECEPTACLE ASSY 6S-2P, PRESS-FIT TEN60 POWER FAMILY		
		4 PLACES	±---	±---	CHECKED BY BKOSTIC	DATE 2009/10/06	MATERIAL NO. 46562-1093		
		3 PLACES	±---	±.010	APPROVED BY	DATE	DOCUMENT NO. SD-46562-1093		
		2 PLACES	±0.25	±.010			SHEET NO. 1 OF 1		
		1 PLACE	±0.25	±---			THIS DRAWING CONTAINS INFORMATION THAT IS PROPRIETARY TO MOLEX INCORPORATED AND SHOULD NOT BE USED WITHOUT WRITTEN PERMISSION		
		ANGULAR ±1/2°							
DRAFT WHERE APPLICABLE MUST REMAIN WITHIN DIMENSIONS									



P/N: 46562-1093



SECTION Z-Z



RECOMMENDED PCB LAYOUT AND KEEP-OUT ZONE

NOTES:

- MATERIAL:
 - HOUSINGS: LCP UL-94, V-0, COLOR: BLACK
 - TERMINALS: COPPER ALLOY
 - PLATING: .00127 NICKEL OVERALL WITH 0.00254 MATTE TIN ON COMPLIANT TAILS AND 0.000762 SELECTIVE GOLD ON CONTACT AREA.
- PACKAGING: ASSEMBLIES TO BE TRAY PACKED, QTY TBD.
- PRODUCT SPEC: PS-46436-100.
- APPLICATION SPEC: AS-46436-100.
- PC BOARD REQUIRES SOLDER THRU HOLES, REFER TO PS-46436-100 FOR DETAILS.
- SEE PRODUCT SPEC FOR RoHS REQUIREMENTS.
- ASSEMBLY MATES TO MOLEX R/A PLUG ASSEMBLY P/N: 46437-1093.

NOTE 1: IEC NO: UICP2010-0885 DRAWN BY: BKOSTIC 2009/10/06 CHECKED BY: CHYKOROSTIC 2009/12/14 APPR: APATEL 2009/12/14 REV: 2	QUALITY SYMBOLS	GENERAL TOLERANCES (UNLESS SPECIFIED)	DIMENSION STYLE MM ONLY	SCALE 3:1	DESIGN UNITS METRIC	THIRD ANGLE PROJECTION
		4 PLACES ± --- ± --- 3 PLACES ± --- ± .010 2 PLACES ± 0.25 ± .010 1 PLACE ± 0.25 ± --- ANGULAR ±1/2°	DRAWN BY: BKOSTIC 2009/10/06 CHECKED BY: BKOSTIC 2009/10/06 APPROVED BY: DATE			
DRAFT WHERE APPLICABLE MUST REMAIN WITHIN DIMENSIONS		MATERIAL NO. 46562-1093	DOCUMENT NO. SD-46562-1093		SHEET NO. 1 OF 1	
THIS DRAWING CONTAINS INFORMATION THAT IS PROPRIETARY TO MOLEX INCORPORATED AND SHOULD NOT BE USED WITHOUT WRITTEN PERMISSION						

VERTICAL RECEPTACLE ASSY
6S-2P, PRESS-FIT
TEN60 POWER FAMILY

MOLEX MOLEX INCORPORATED