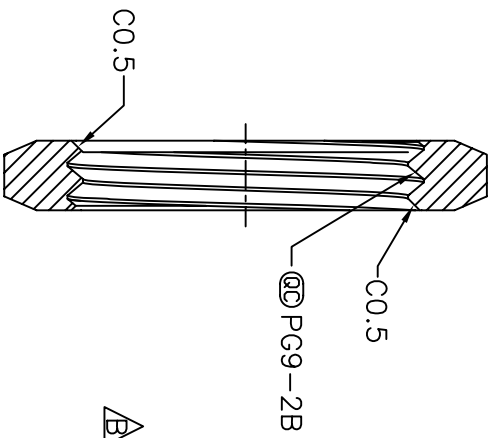
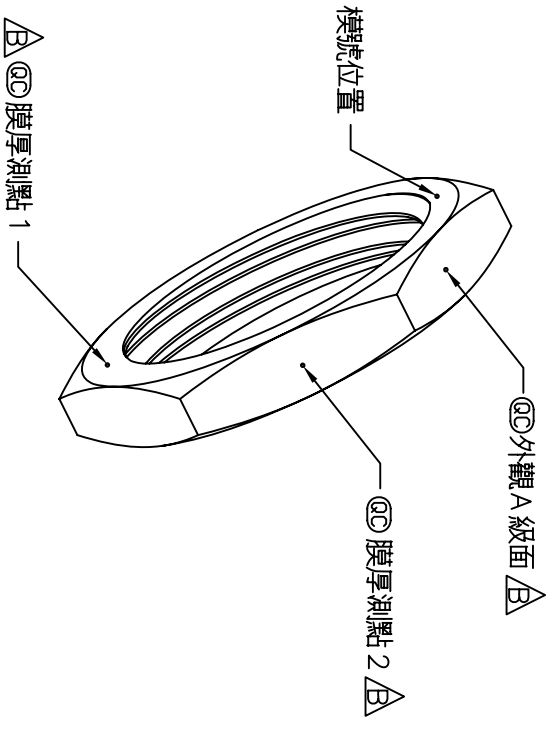
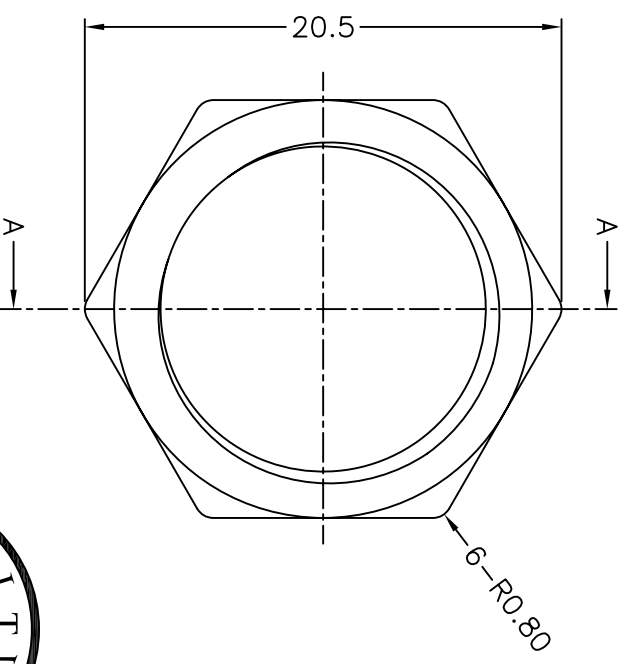
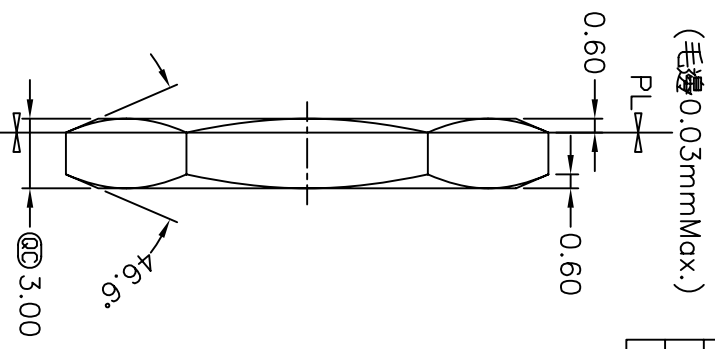
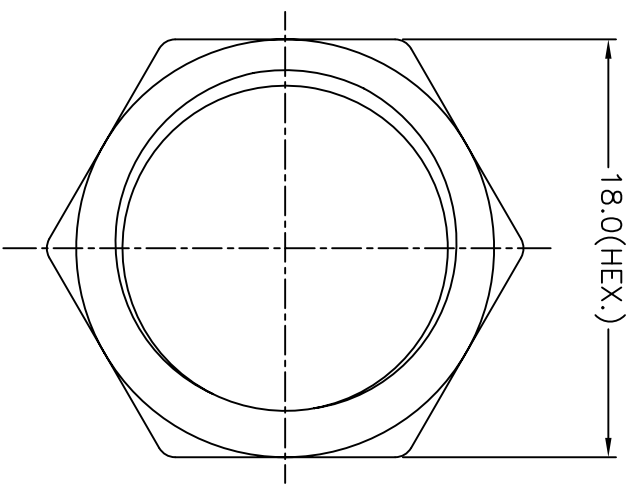
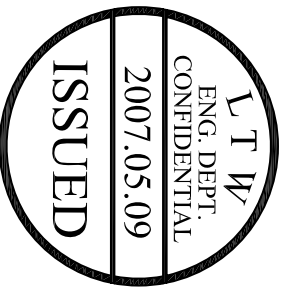


REV.	ECON. NO.	DATE	SIGN.	DESCRIPTION
B	LEN-750070	2007/05/01	Cloud	Change the Surface Standard and add QC.



SECTION A-A



- Note:
- * @@ Important Dimension To Check.
 - * Material: ZN-ZDC-3.
 - * @@ Finish: Nickel Plated, Thickness at 120u" Min. 亮面
 - * Mold No.: P-0036
 - * @@ 以二級牙規為牙徑檢驗標準 (PG9)
 - * @@ 毛邊 0.03mmMax.

UNIT: mm		TITLE		ITEM NO.		DRAWN BY		DATE	
TOLERANCE		M12 Panel Nut PG9		BEA00010030		Cloud		2007/05/01	
X	±0.25	SCALE	Free	SHEET	1	CHECKED BY	Simon	DATE	2007/05/01
XX	±0.1	REV.	B	SIZE	A4	APPROVED BY	Max	DATE	2007/05/08
XXX	±0.05	: Inspection Item		CUSTOMER					
ANGLES	±1°			L T W		亮泰企業股份有限公司			