

# HC-M-08-EMC-DSUB-F - Connector



1066080

<https://www.phoenixcontact.com/us/products/1066080>

Please be informed that the data shown in this PDF document is generated from our online catalog. Please find the complete data in the user documentation. Our general terms of use for downloads are valid.



Connector, number of positions: 8, power contacts: 0, control contacts: 8, Socket, Crimp connection, 48 V, 5 A, 0.09 mm<sup>2</sup> ... 0.52 mm<sup>2</sup>, external cable diameter: 3 mm ... 9.5 mm, application: Data/signal

## Commercial data

Item number	1066080
Packing unit	1 pc
Minimum order quantity	1 pc
Sales key	BF62
Product key	BF7ACB
Catalog page	Page 583 (C-2-2019)
GTIN	4055626727981
Weight per piece (including packing)	32.9 g
Weight per piece (excluding packing)	31.343 g
Customs tariff number	85389099
Country of origin	CN

# HC-M-08-EMC-DSUB-F - Connector

1066080

<https://www.phoenixcontact.com/us/products/1066080>

## Technical data

### Notes

General	Order crimp contacts CUC-DSC-J1BAU-S/DSC... separately
General	The potential of the EMC connector housing is isolated from the potential of the heavy connector.
General	Clamps for the clamping range of 3 mm - 6 mm and 6 mm - 9.5 mm
General	Can be used in Item No.: 1417376 HC-M-02-EMC-F

### Product properties

Product type	EMC insert, modular
Number of positions	8
Connection profile	8
Contact numbering	1 - 8
Application	Data/signal
No. of power contacts	0
No. of control contacts	8
Contact material type	turned
Series	HC-M-EMV
Shielded	yes

### Insulation characteristics

Overvoltage category	III
Degree of pollution	3

### Electrical properties

Rated voltage (III/3)	48 V
Rated surge voltage	0.8 kV
Rated current	5 A

### Connection data

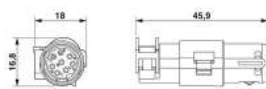
#### Connection technology

Connection technology	Crimp connection
-----------------------	------------------

#### Conductor connection

Conductor cross section	0.09 mm <sup>2</sup> ... 0.52 mm <sup>2</sup>
Connection cross section AWG	28 ... 20

### Dimensions

Dimensional drawing	
---------------------	--

# HC-M-08-EMC-DSUB-F - Connector



1066080

<https://www.phoenixcontact.com/us/products/1066080>

Height	15.5 mm
Length	45.9 mm

## Mechanical characteristics

Contact diameter	1 mm
------------------	------

## Material specifications

Material	Zinc alloy
Flammability rating according to UL 94	V0
Contact material	Copper alloy
Contact surface material	Au
Contact carrier material	PC

## Cable/line

External cable diameter ( )	3 mm ... 9.5 mm
-----------------------------	-----------------

## Mechanical properties

### Mechanical data

Insertion/withdrawal cycles	≥ 500
-----------------------------	-------

## Environmental and real-life conditions

### Ambient conditions

Ambient temperature (operation)	-40 °C ... 85 °C
---------------------------------	------------------

## Mounting

Assembly instructions	The round contact carrier can be separated in the middle for the purpose of assembling/disassembling contacts. Disassemble the connector from the plastic module using the tool, order no.: 1678635 HC-M-EMV-KON-EWZ
-----------------------	--

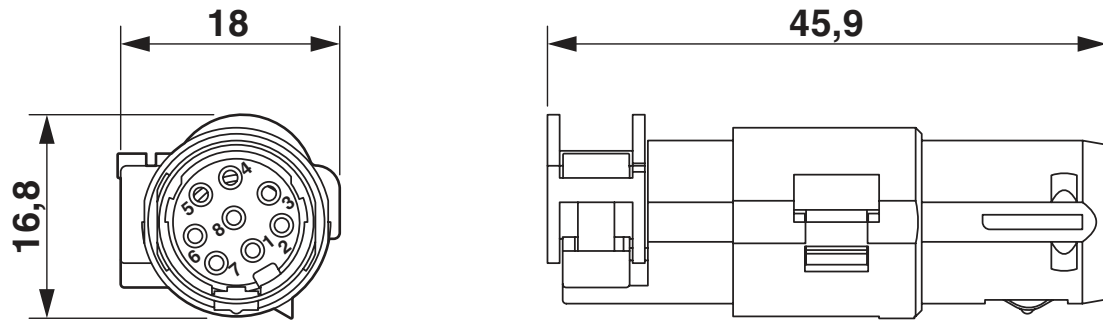
# HC-M-08-EMC-DSUB-F - Connector

1066080

<https://www.phoenixcontact.com/us/products/1066080>

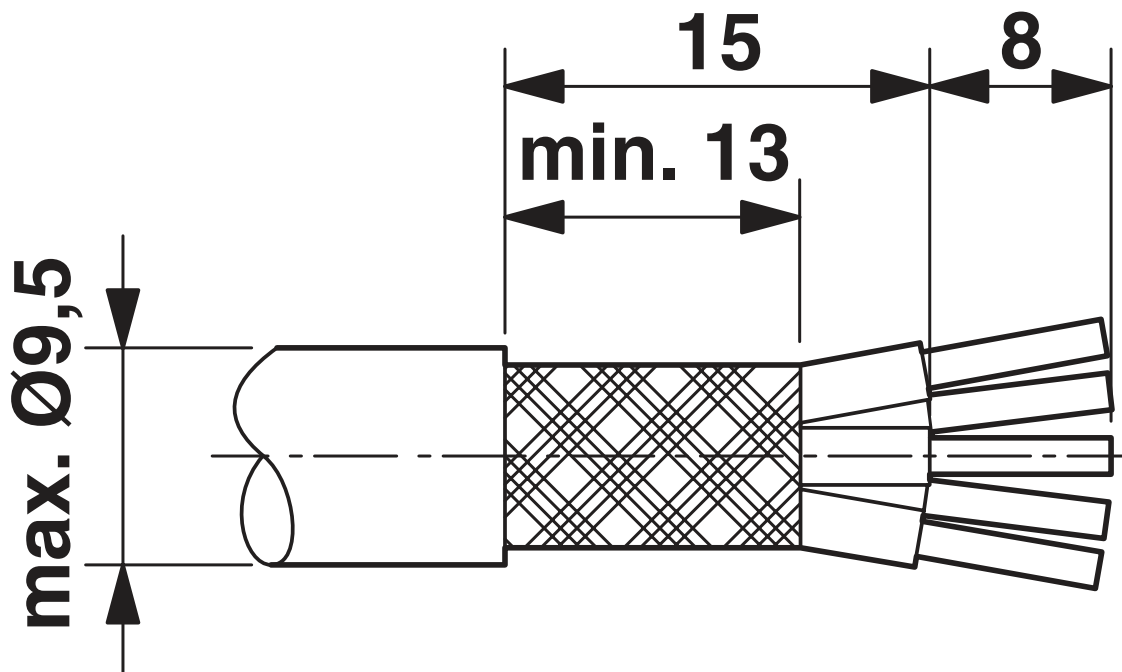
## Drawings

Dimensional drawing



Female insert

Dimensional drawing



Stripping specifications

# HC-M-08-EMC-DSUB-F - Connector



1066080

<https://www.phoenixcontact.com/us/products/1066080>

## Approvals

To download certificates, visit the product detail page: <https://www.phoenixcontact.com/us/products/1066080>



**EAC**

Approval ID: RU C-DE.BL08.B.00511

# HC-M-08-EMC-DSUB-F - Connector



1066080

<https://www.phoenixcontact.com/us/products/1066080>

## Classifications

### ECLASS

ECLASS-11.0	27440205
ECLASS-12.0	27440205
ECLASS-13.0	27440205

### ETIM

ETIM 8.0	EC000438
----------	----------

### UNSPSC

UNSPSC 21.0	39121500
-------------	----------

# HC-M-08-EMC-DSUB-F - Connector



1066080

<https://www.phoenixcontact.com/us/products/1066080>

## Environmental product compliance

China RoHS	Environmentally friendly use period: unlimited = EFUP-e
	No hazardous substances above threshold values

# HC-M-08-EMC-DSUB-F - Connector

1066080

<https://www.phoenixcontact.com/us/products/1066080>

## Accessories

### HC-CBU-MOD - Coding element

1636130

<https://www.phoenixcontact.com/us/products/1636130>



Coding socket for coding up to 16 connectors, for HC Modular

---

### HC-CST-MOD - Coding element

1636127

<https://www.phoenixcontact.com/us/products/1636127>



Coding peg for coding up to 16 connectors, for HC Modular



# HC-M-08-EMC-DSUB-F - Connector

1066080

<https://www.phoenixcontact.com/us/products/1066080>



## HC-M-02-EMC-F - Contact insert module

1417376

<https://www.phoenixcontact.com/us/products/1417376>



Contact insert module, number of positions: 2, Socket, Crimp connection, 48 V, 10 A, 0.14 mm<sup>2</sup> ... 2.5 mm<sup>2</sup>, application: Data/signal, for using two EMC connectors (female connector), number of positions: 1, 4, 8

---

## CUC-DSC-J1BAU-S/DSC24 - D-SUB crimp contact

1418788

<https://www.phoenixcontact.com/us/products/1418788>



D-SUB crimp contact, connection method: Crimp connection, connection cross section: AWG 24- 20

# HC-M-08-EMC-DSUB-F - Connector

1066080

<https://www.phoenixcontact.com/us/products/1066080>



## CUC-DSC-J1BAU-S/DSC28 - D-SUB crimp contact

1418787

<https://www.phoenixcontact.com/us/products/1418787>



D-SUB crimp contact, connection method: Crimp connection, connection cross section: AWG 28- 26

---

## HC-M-B06-MFH-B - Module carrier frame

1182085

<https://www.phoenixcontact.com/us/products/1182085>



Module carrier frame, size: B6, type : for the panel mounting side (a, b, c, ...), 4 mm<sup>2</sup> ... 6 mm<sup>2</sup>, application: Module carrier frame

# HC-M-08-EMC-DSUB-F - Connector

1066080

<https://www.phoenixcontact.com/us/products/1066080>



## HC-M-B10-MFH-B - Module carrier frame

1182088

<https://www.phoenixcontact.com/us/products/1182088>



Module carrier frame, size: B10, type : for the panel mounting side (a, b, c, ...), 4 mm<sup>2</sup> ... 6 mm<sup>2</sup>, application: Module carrier frame

---

## HC-M-B16-MFH-B - Module carrier frame

1182090

<https://www.phoenixcontact.com/us/products/1182090>



Module carrier frame, size: B16, type : for the panel mounting side (a, b, c, ...), 4 mm<sup>2</sup> ... 6 mm<sup>2</sup>, application: Module carrier frame

# HC-M-08-EMC-DSUB-F - Connector

1066080

<https://www.phoenixcontact.com/us/products/1066080>



## HC-M-B24-MFH-B - Module carrier frame

1182094

<https://www.phoenixcontact.com/us/products/1182094>

Module carrier frame, size: B24, type : for the panel mounting side (a, b, c, ...), 4 mm<sup>2</sup> ... 6 mm<sup>2</sup>, application: Module carrier frame



---

## HC-M-B06-MFH-H - Module carrier frame

1182087

<https://www.phoenixcontact.com/us/products/1182087>

Module carrier frame, size: B6, type : for the sleeve side (A, B, C, ...), 4 mm<sup>2</sup> ... 6 mm<sup>2</sup>, application: Module carrier frame



# HC-M-08-EMC-DSUB-F - Connector

1066080

<https://www.phoenixcontact.com/us/products/1066080>



## HC-M-B10-MFH-H - Module carrier frame

1182089

<https://www.phoenixcontact.com/us/products/1182089>



Module carrier frame, size: B10, type : for the sleeve side (A, B, C, ...), 4 mm<sup>2</sup> ... 6 mm<sup>2</sup>, application: Module carrier frame

---

## HC-M-B16-MFH-H - Module carrier frame

1182093

<https://www.phoenixcontact.com/us/products/1182093>



Module carrier frame, size: B16, type : for the sleeve side (A, B, C, ...), 4 mm<sup>2</sup> ... 6 mm<sup>2</sup>, application: Module carrier frame

## HC-M-08-EMC-DSUB-F - Connector

1066080

<https://www.phoenixcontact.com/us/products/1066080>



## HC-M-B24-MFH-H - Module carrier frame

1182095

<https://www.phoenixcontact.com/us/products/1182095>

Module carrier frame, size: B24, type : for the sleeve side (A, B, C, ...), 4 mm<sup>2</sup> ... 6 mm<sup>2</sup>, application: Module carrier frame



---

## HC-M-08-EMC-DSUB-M - Connector

1066082

<https://www.phoenixcontact.com/us/products/1066082>

Connector, number of positions: 8, power contacts: 0, control contacts: 8, Pin, Crimp connection, 48 V, 5 A, 0.09 mm<sup>2</sup> ... 0.52 mm<sup>2</sup>, external cable diameter: 3 mm ... 9.5 mm, application: Data/signal



# HC-M-08-EMC-DSUB-F - Connector

1066080

<https://www.phoenixcontact.com/us/products/1066080>



## CRIMPFOX-TC MP - Crimping pliers with digital display

1212510

<https://www.phoenixcontact.com/us/products/1212510>



Crimping pliers, for turned contacts, universal cross section setting, up to a maximum of 2.5 mm<sup>2</sup>, digital display with 0.01 mm increments, pressure lock can be unlocked, including positioning tool

---

## HC-M-EMV-KON-EWZ - Contact removal tool

1678635

<https://www.phoenixcontact.com/us/products/1678635>



Contact removal tool for HC-M-EMV contact carriers

---

Phoenix Contact 2023 © - all rights reserved  
<https://www.phoenixcontact.com>

Phoenix Contact USA  
586 Fulling Mill Road  
Middletown, PA 17057, United States  
(+717) 944-1300  
[info@phoenixcon.com](mailto:info@phoenixcon.com)