

4

3

2

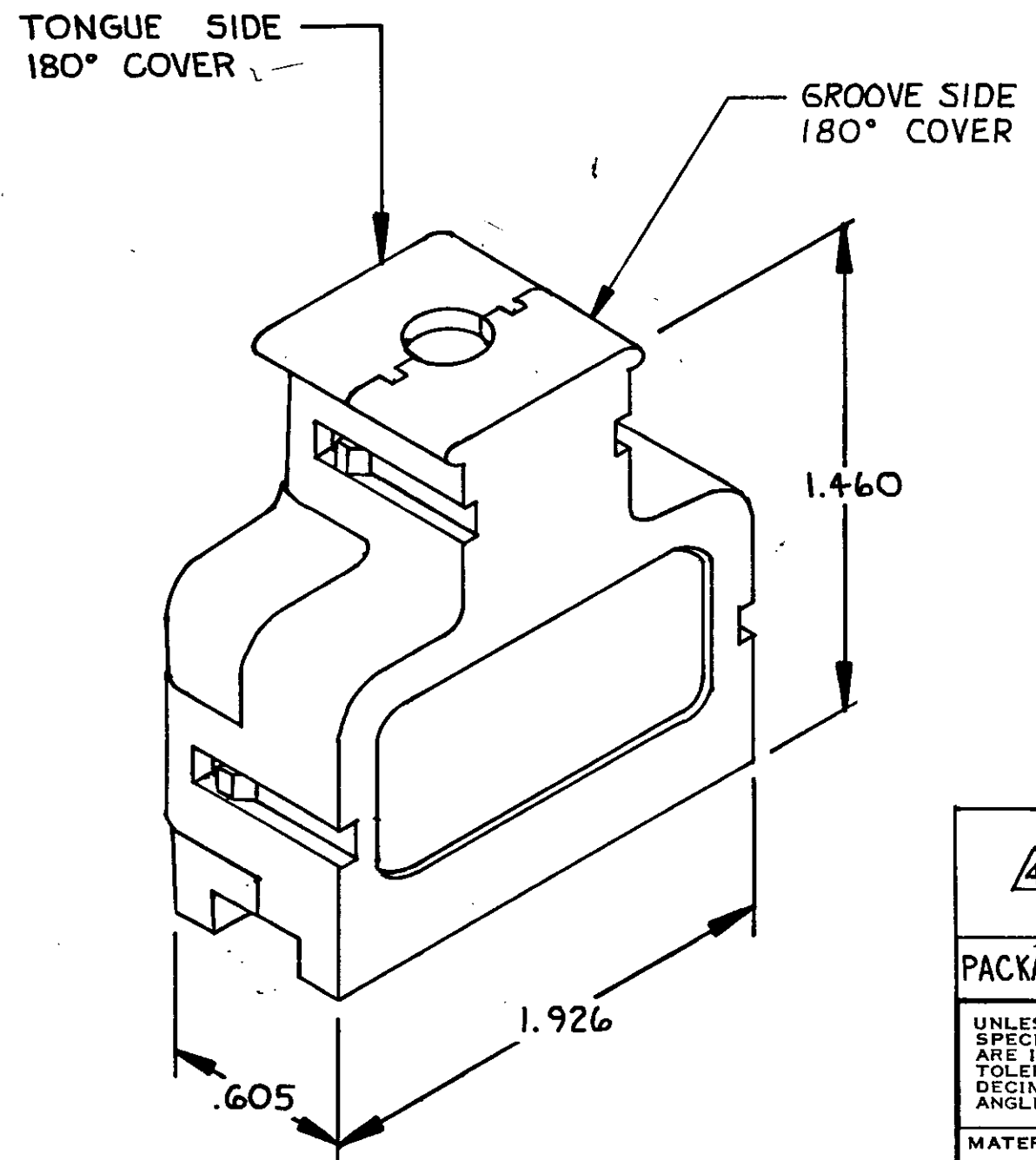
1 LOC AA DIST 20.

THIS DRAWING IS UNPUBLISHED. RELEASED FOR PUBLICATION, 19
 © COPYRIGHT 19 BY AMP INCORPORATED, HARRISBURG, PA. ALL INTERNATIONAL RIGHTS RESERVED. AMP PRODUCTS MAY BE COVERED BY U.S. AND FOREIGN PATENTS AND/OR PATENTS PENDING.

REVISIONS						
P	F	ZONE	LTR	DESCRIPTION	DATE	APPROVED
			L	OBS: 5/1; EC 0210-0602-95	20 MAY 83	OS mht

1. ALL DIMENSIONS SHOWN ARE MAXIMUM UNLESS OTHERWISE SPECIFIED.
2. COVERS SHIPPED NOT ASSEMBLED.

△ 100 KITS BULK PACKAGED.



△	.480 - .520	BLACK	552072-6	552071-6	▲ -6
	.360 - .430		552072-5	552071-5	-5
	.290 - .360		552072-1	552071-1	552073-1
PACKAGED	CABLE RANGE DIAMETER	COLOR	GROOVE SIDE PART NO.	TONGUE SIDE PART NO.	KIT PART NO.
UNLESS OTHERWISE SPECIFIED DIMENSIONS ARE IN INCHES. TOLERANCES ON: DECIMALS ± ANGLES ±		CONTRACT NO		AMP INCORPORATED Harrisburg, Pa.	
		DR	P.K. COLLINS 5-4-83		
		CHK	Stephen Dow 5-6-83		
MATERIAL POLYPHENYLENE		APPD	C.F. Morgan 5/9/83		
		APPD	NOV 5/9/83		
FINISH		DSGN APPD	SIZE B	FSCM NO 00779	DRAWING NO 552073
		OTHER APPD	SCALE 2:1	SHEET 1 OF 1	
COVER KIT, 180°, 36 POSITION, CHAMP®					