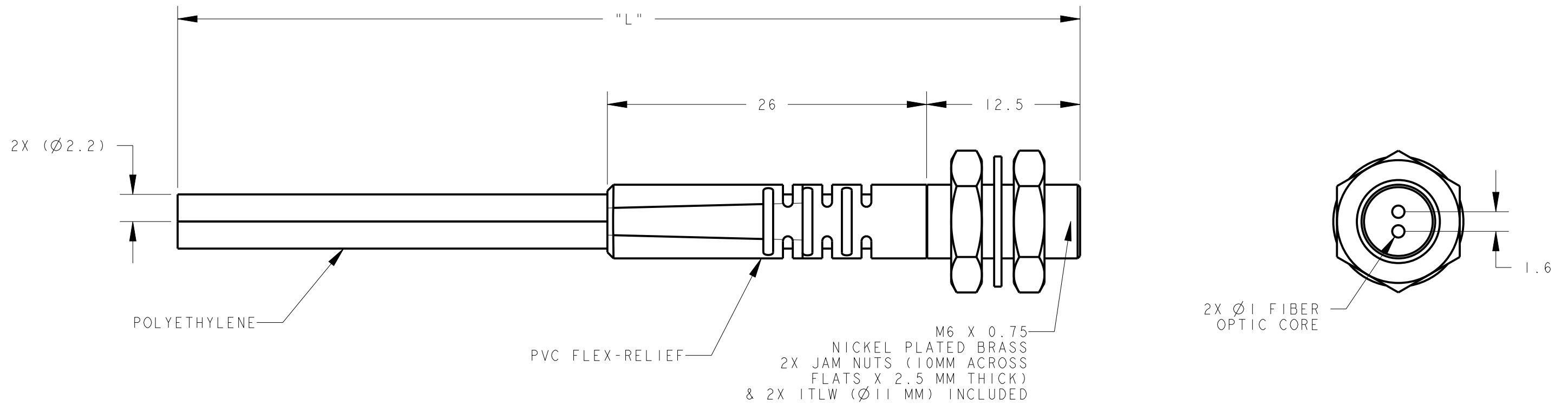


MODEL NO.	"L"	P/N
PBT46U-VL	2000	87514
PBT43U-VL	1000	87513

NOTES:

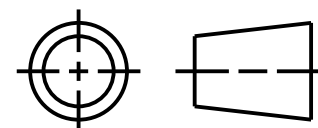
1. OPERATING TEMPERATURE -55°C ~ +70°C.
2. MINIMUM BEND RADIUS R25.




- NOTES:**
1. ALL DIMENSIONS ARE MILLIMETERS [INCHES] UNLESS OTHERWISE NOTED.
 2. REFER TO "www.bannerengineering.com" FOR ADDITIONAL DATA AND SPECIFICATIONS.

This drawing is the property of BANNER ENGINEERING CORP. Any use or reproduction, in any form, without prior written permission of Banner is prohibited. © 2015 Banner Engineering Corp.

THIRD ANGLE PROJECTION



 BANNER ENGINEERING CORP. www.bannerengineering.com		TITLE	
		PBT4 VALUE LINE SERIES UNTERMINATED	
SIZE	DRAWING NO.	REV.	
B	178356	B	
SCALE	SHEET		CREO
3:1	1 OF 1		