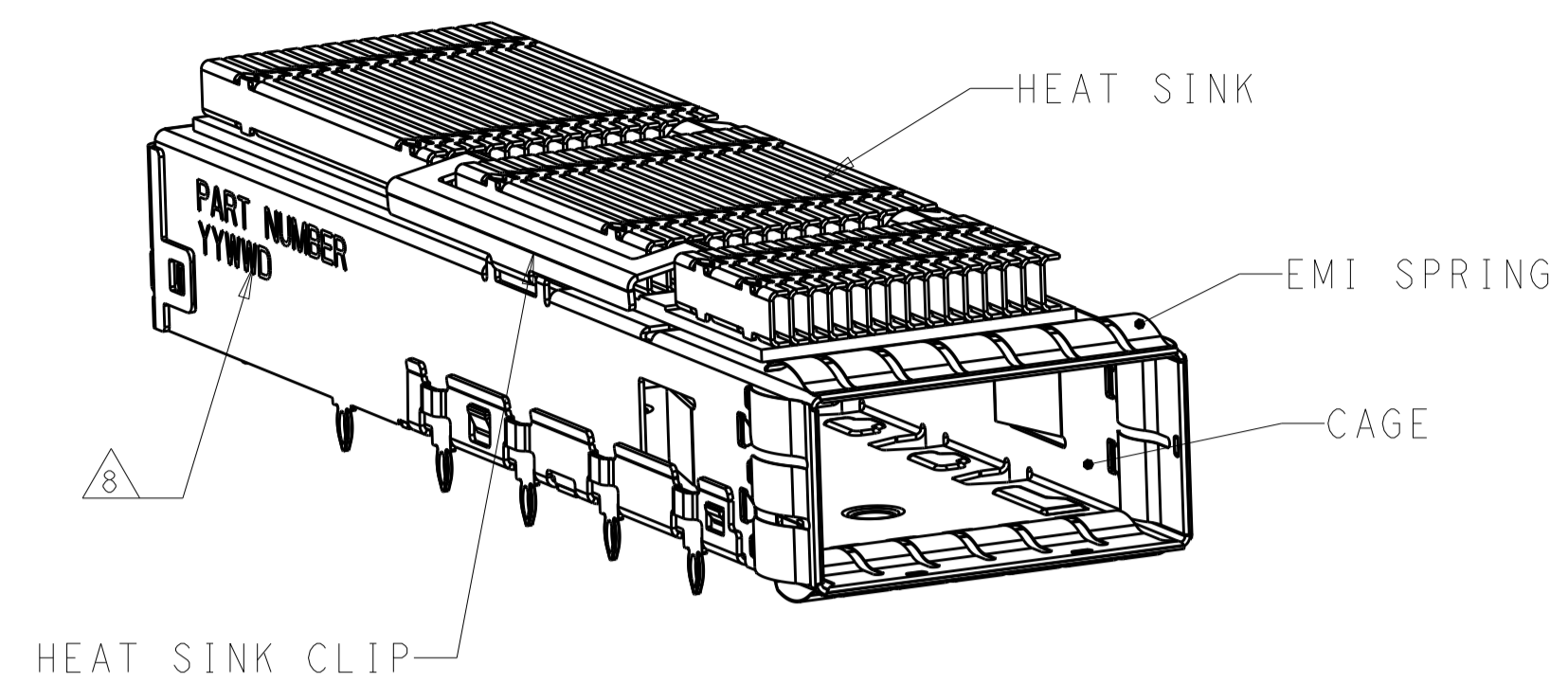
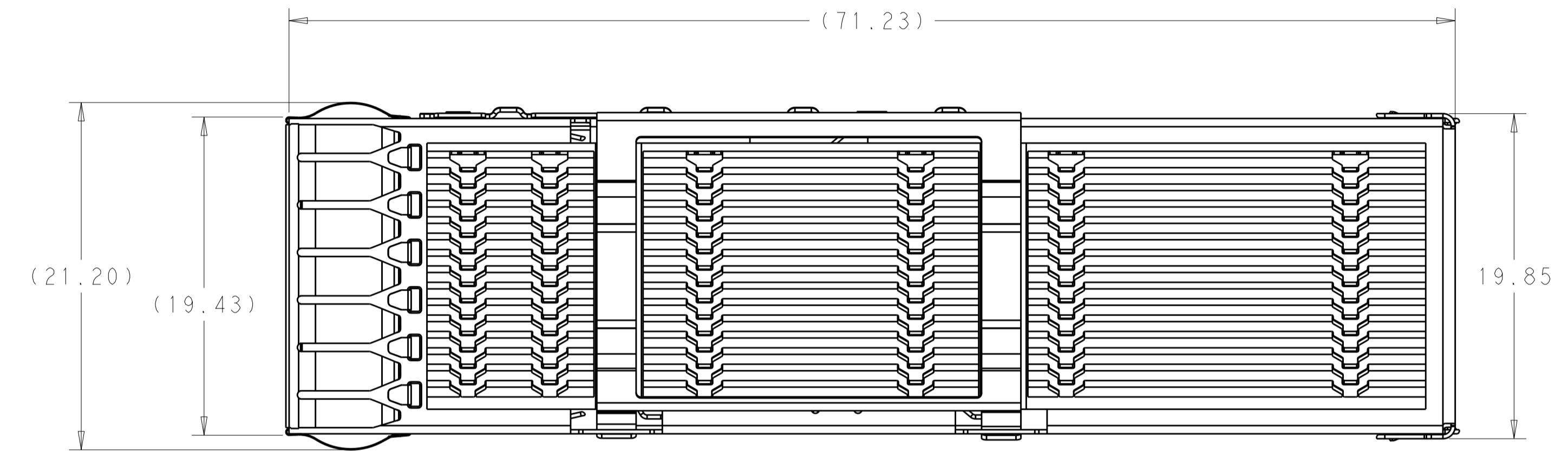


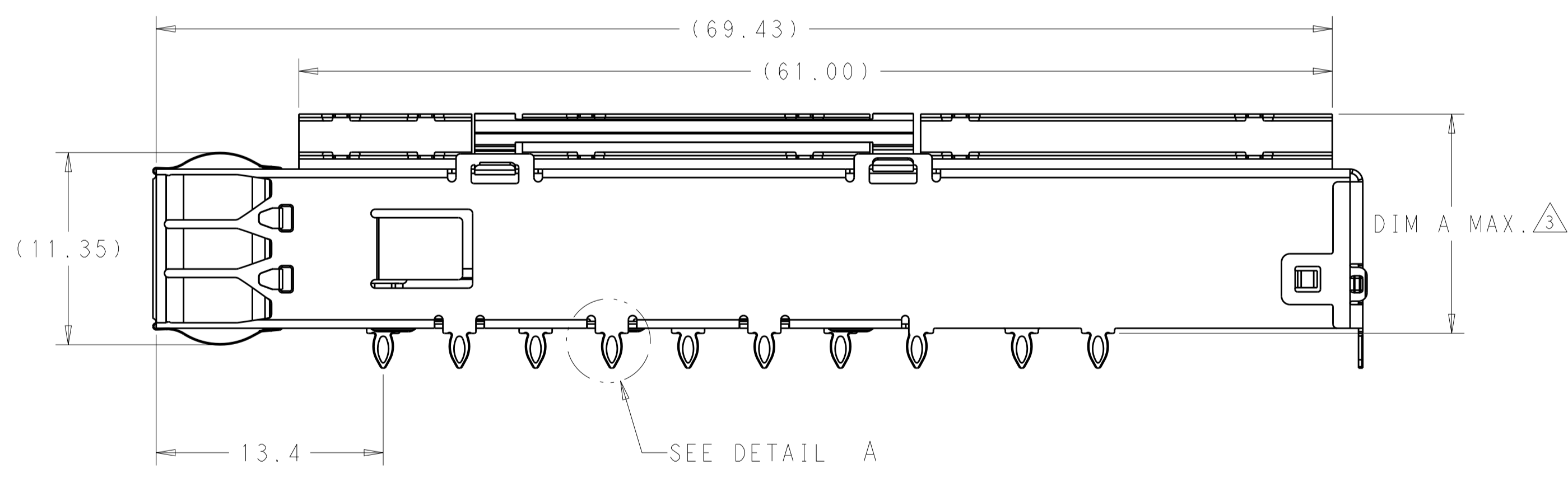
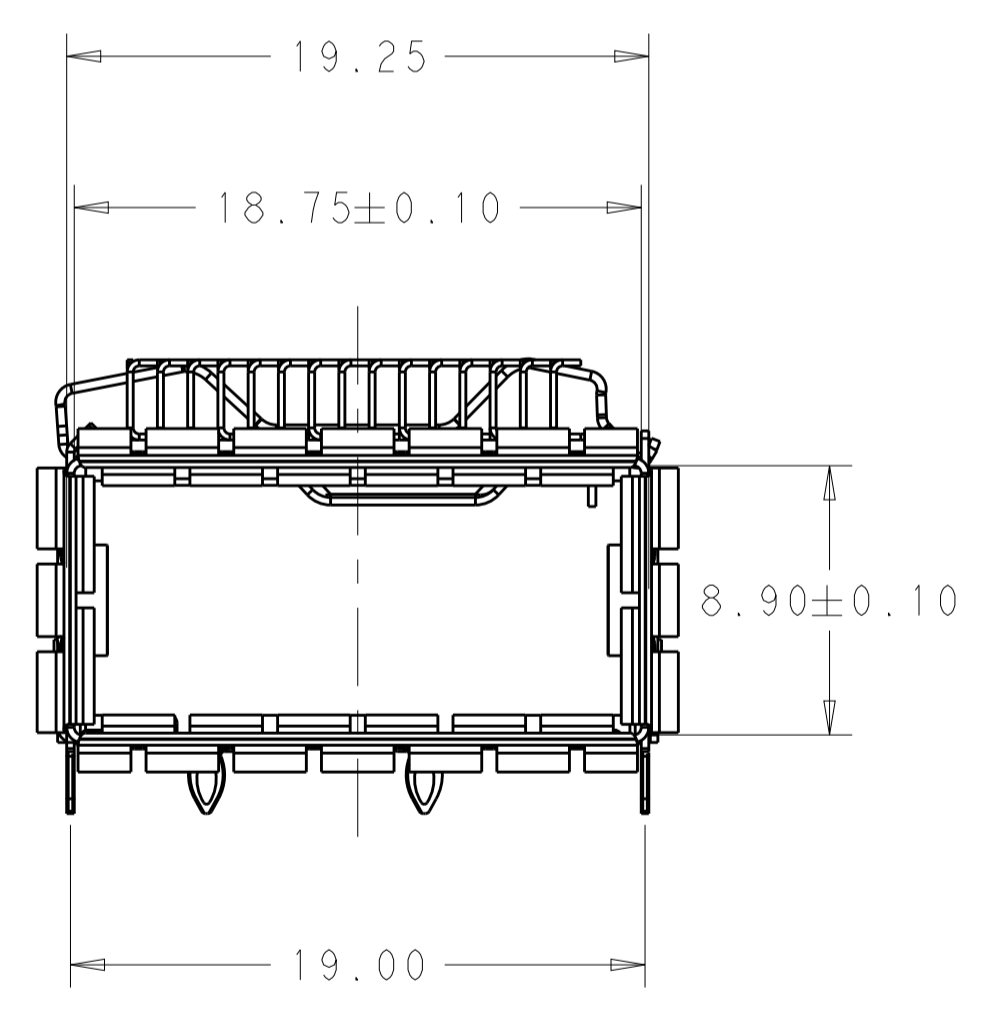
| LOC | DIST | REVISIONS | | | | | |
|-----|------|-----------|-----|---------------------------|-----------|-----|------|
| | | P | LTN | DESCRIPTION | DATE | DWN | APVD |
| | | A | | INITIAL RELEASE | 14JUN2019 | AJ | SH |
| | | B | | REVISED PER ECO-19-012481 | 07AUG2019 | AJ | SH |



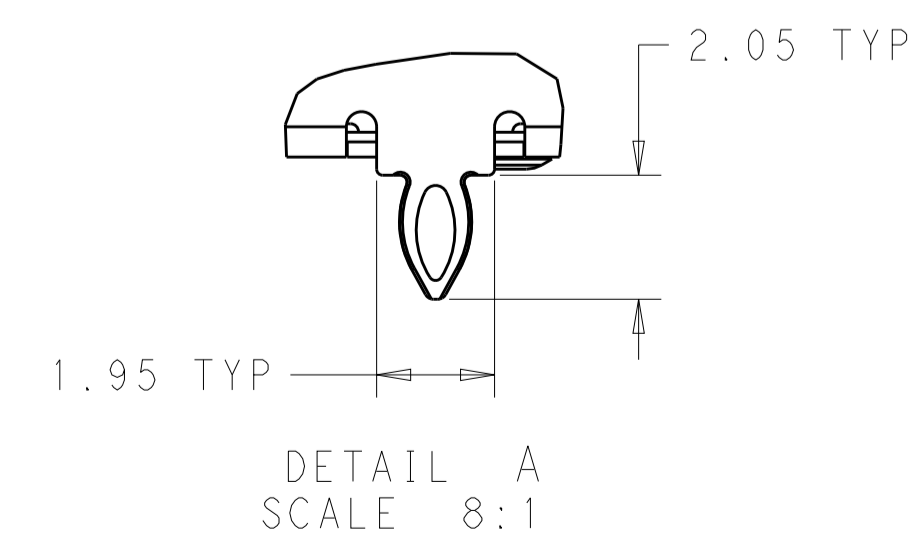
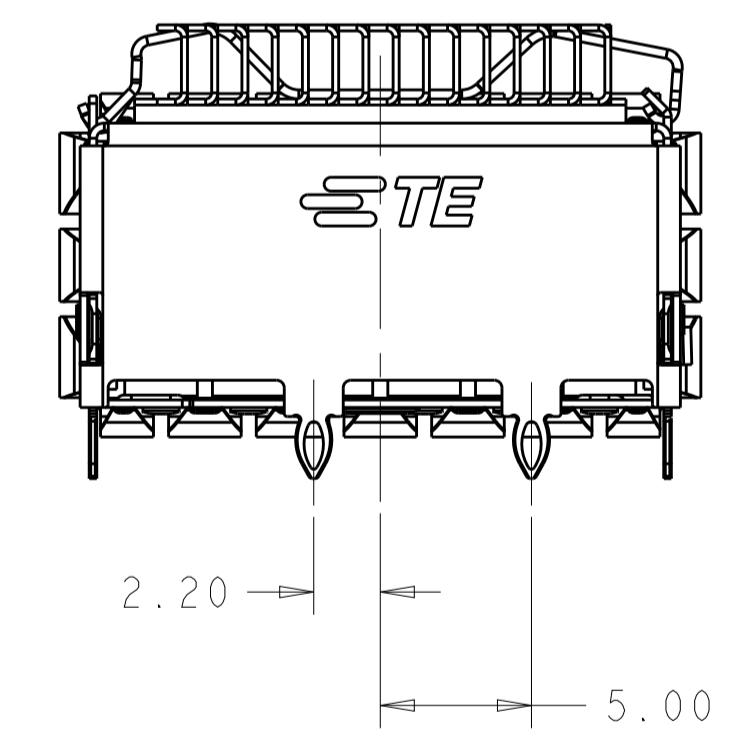
2342934-1 AS SHOWN
SCALE 3:1



- MATERIAL:
CAGE MATERIAL : 0.25 THICK STAINLESS STEEL.
SPRING MATERIAL: COPPER ALLOY
CLIP MATERIAL: STAINLESS STEEL
HEAT SINK: ALUMINUM
- FINISH:
SPRING: NICKEL PLATING
HEAT SINK: NICKEL PLATING
- DIMENSION APPLIES WITH MODULE INSTALLED IN THE CAGE TO TOP OF HEAT SINK.
- REFERENCE APPLICATION SPEC 114-60025 FOR RECOMMENDED DRILL HOLE DIAMETER AND PLATING THICKNESS.
- DATUM AND BASIC DIMENSIONS ESTABLISHED BY CUSTOMERS.
- MINIMUM PC BOARD THICKNESS : SINGLES SIDED: 1.57 MIN
DOUBLE SIDED: 3.00 MIN
- DATUM **-A-** IS TOP SURFACE OF THE HOST BOARD.
- DATE CODE (YYWWD) MARKED APPROXIMATELY AS SHOWN
- MATES WITH QSFP DD MSA COMPATIBLE TRANSCEIVER.



2342934-1 AS SHOWN
SCALE 4:1



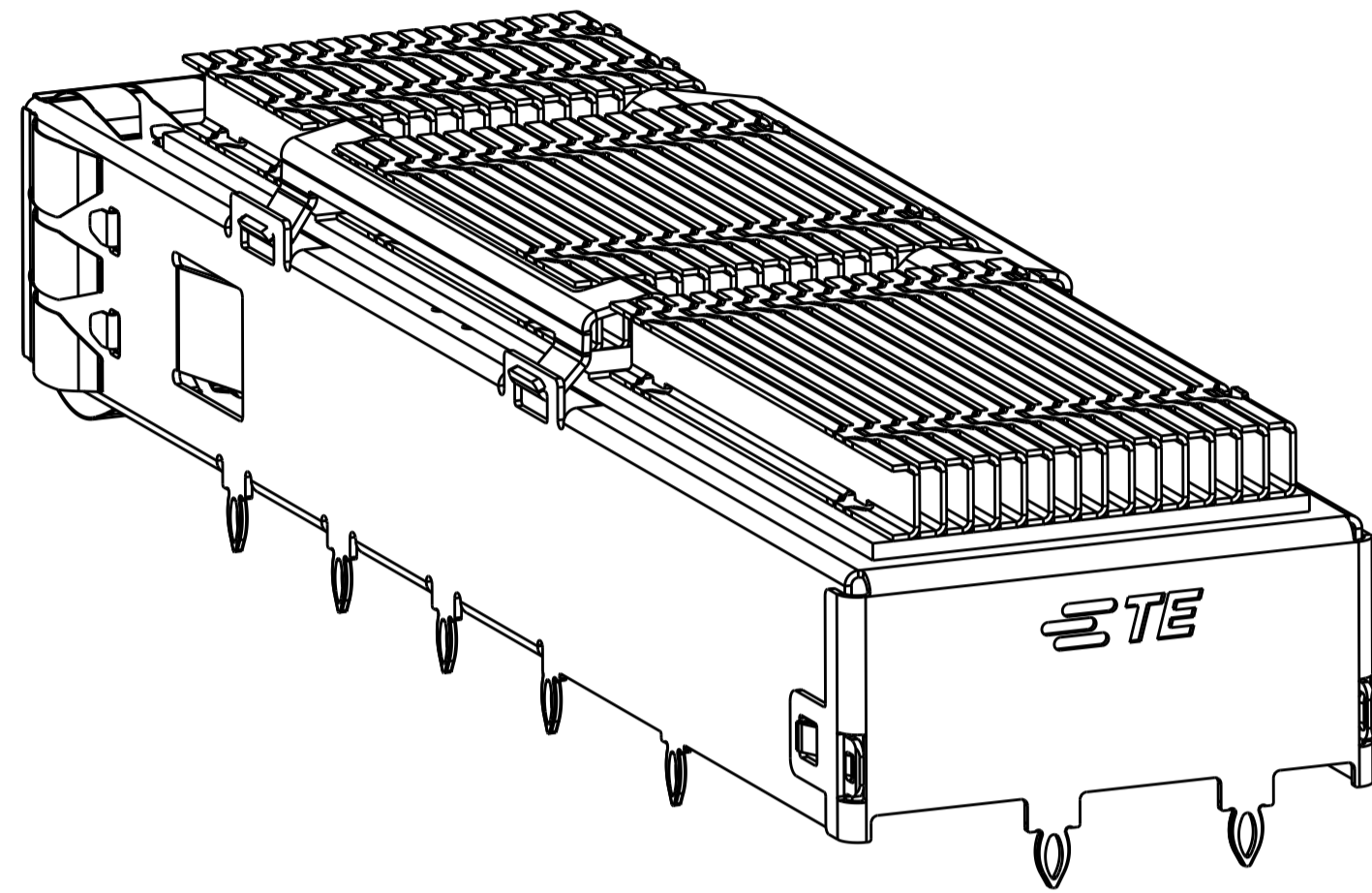
DETAIL A
SCALE 8:1

| | | | |
|-------|-------------|--------------------------------|-------------|
| 23.00 | 0 | NETWORKING | 1-2342934-3 |
| 16.00 | 0 | SAN | 1-2342934-2 |
| 13.70 | 0 | PCI | 1-2342934-1 |
| 23.00 | 2 | NETWORKING | 2342934-3 |
| 16.00 | 2 | SAN | 2342934-2 |
| 13.70 | 2 | PCI | 2342934-1 |
| DIM A | # REAR PINS | APPLICATION (HEAT SINK OPTION) | PART NUMBER |

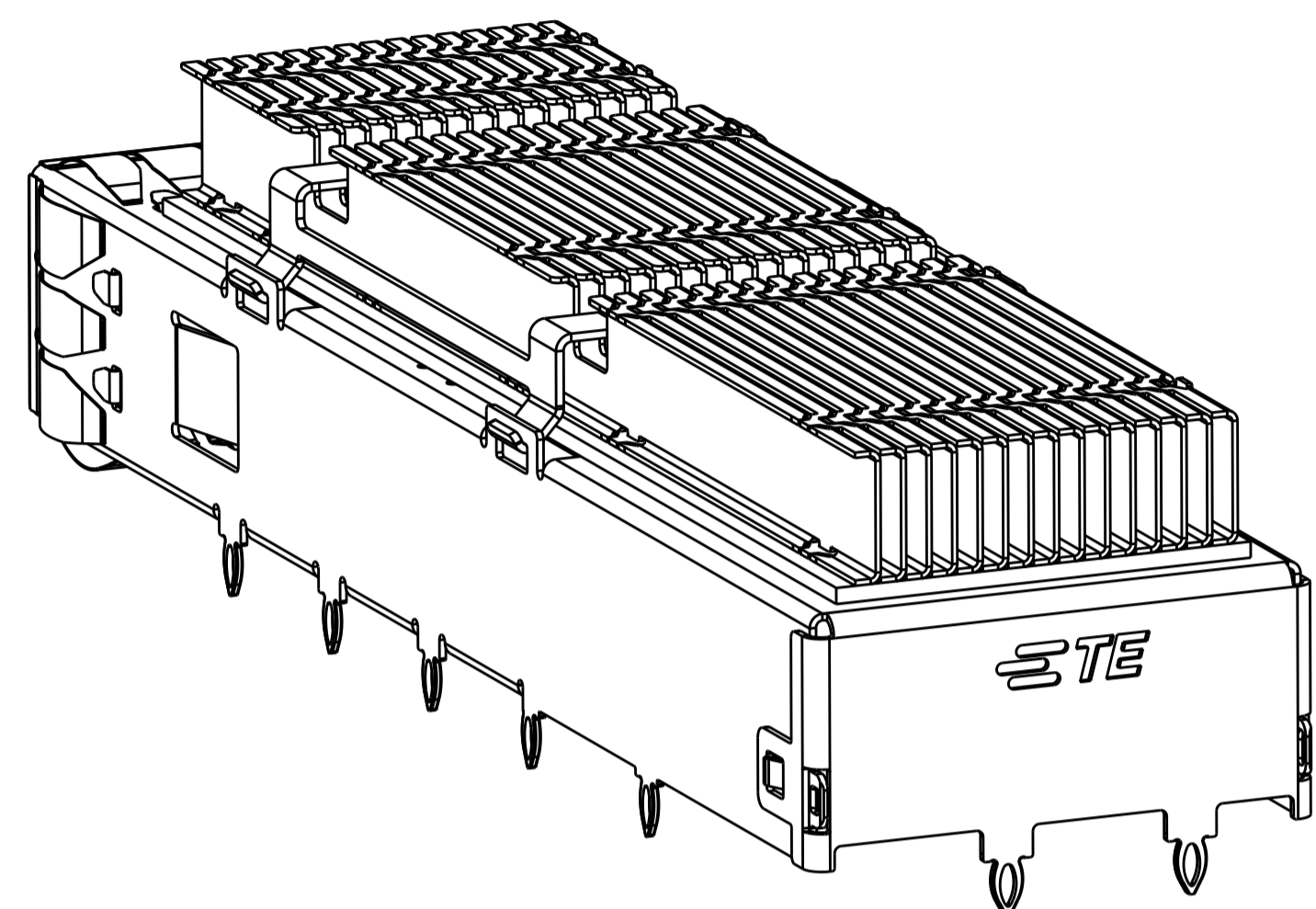
| | | | | |
|--|--|-----------------------------|---|--|
| THIS DRAWING IS A CONTROLLED DOCUMENT. | | DWN: ARTHUR JIN 30AUG2018 | TE Connectivity | |
| DIMENSIONS: mm | | CHK: SEAN HAN 29AUG2018 | | |
| TOLERANCES UNLESS OTHERWISE SPECIFIED: | | APVD: SEAN HAN 30AUG2018 | NAME: CAGE ASSEMBLY, QSFP-DD STANDARD WITH EMI SPRING FINGER ZIPPER FIN HEAT SINK | |
| 0 PLC ±0.25 | | PRODUCT SPEC: 108-60122 | SIZE: A1 | |
| 1 PLC ±0.25 | | APPLICATION SPEC: 114-60025 | CAGE CODE: C=2342934 | |
| 2 PLC ±0.20 | | WEIGHT: - | SCALE: 2:1 | |
| 3 PLC ±0.10 | | RESTRICTED TO: - | SHEET 1 OF 5 | |
| 4 PLC ± | | CUSTOMER DRAWING | REV B | |
| ANGLES | | | | |
| FINISH | | | | |

THIS DRAWING IS UNPUBLISHED. RELEASED FOR PUBLICATION
 © COPYRIGHT - ALL RIGHTS RESERVED.

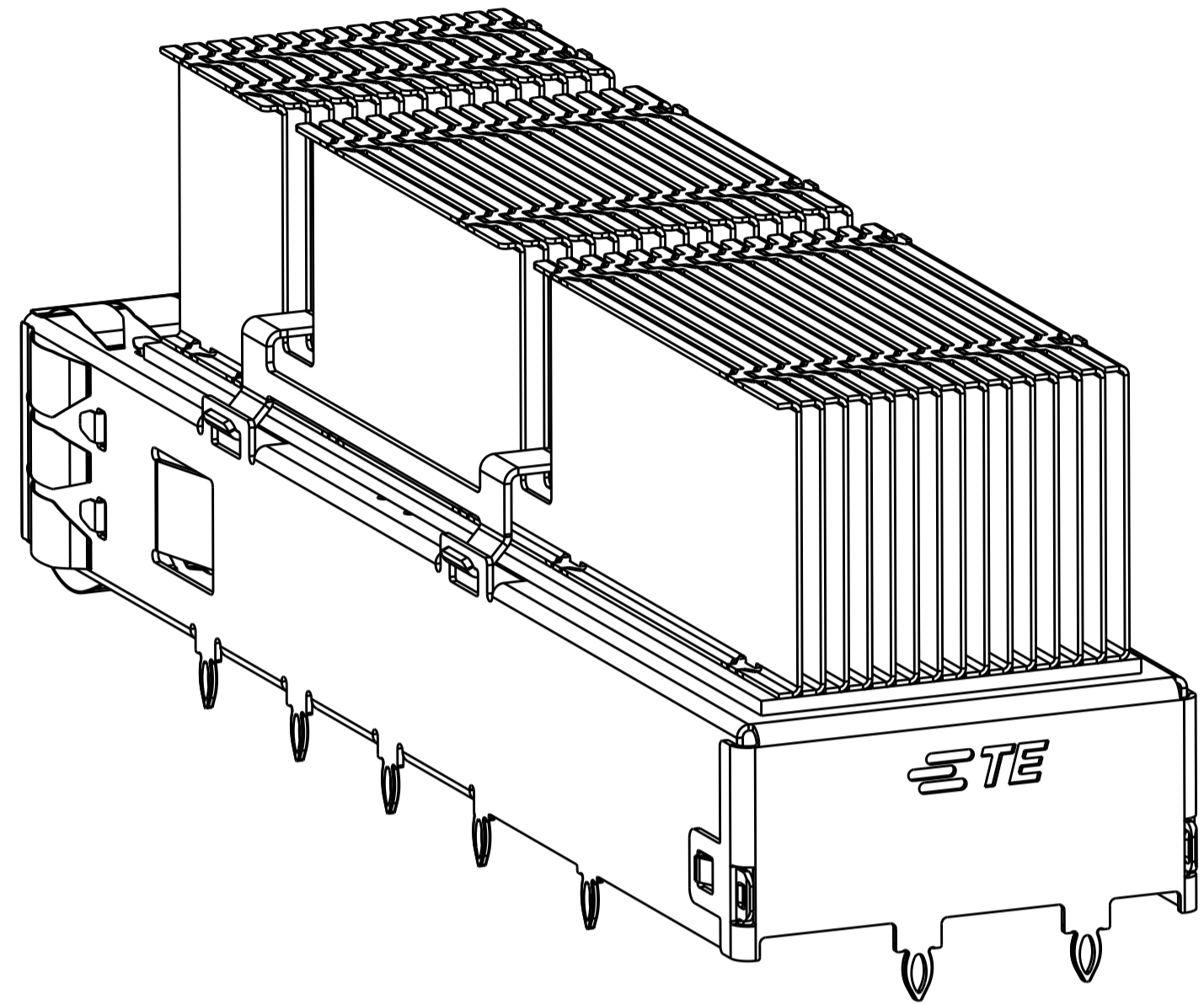
| LOC | | DIST | | REVISIONS | | | |
|-----|---|------|---|-----------|-------------|----|------|
| | | | | REV | DATE | BY | APPV |
| - | - | - | - | - | - | - | - |
| - | - | - | - | - | SEE SHEET 1 | - | - |
| - | - | - | - | - | - | - | - |
| - | - | - | - | - | - | - | - |



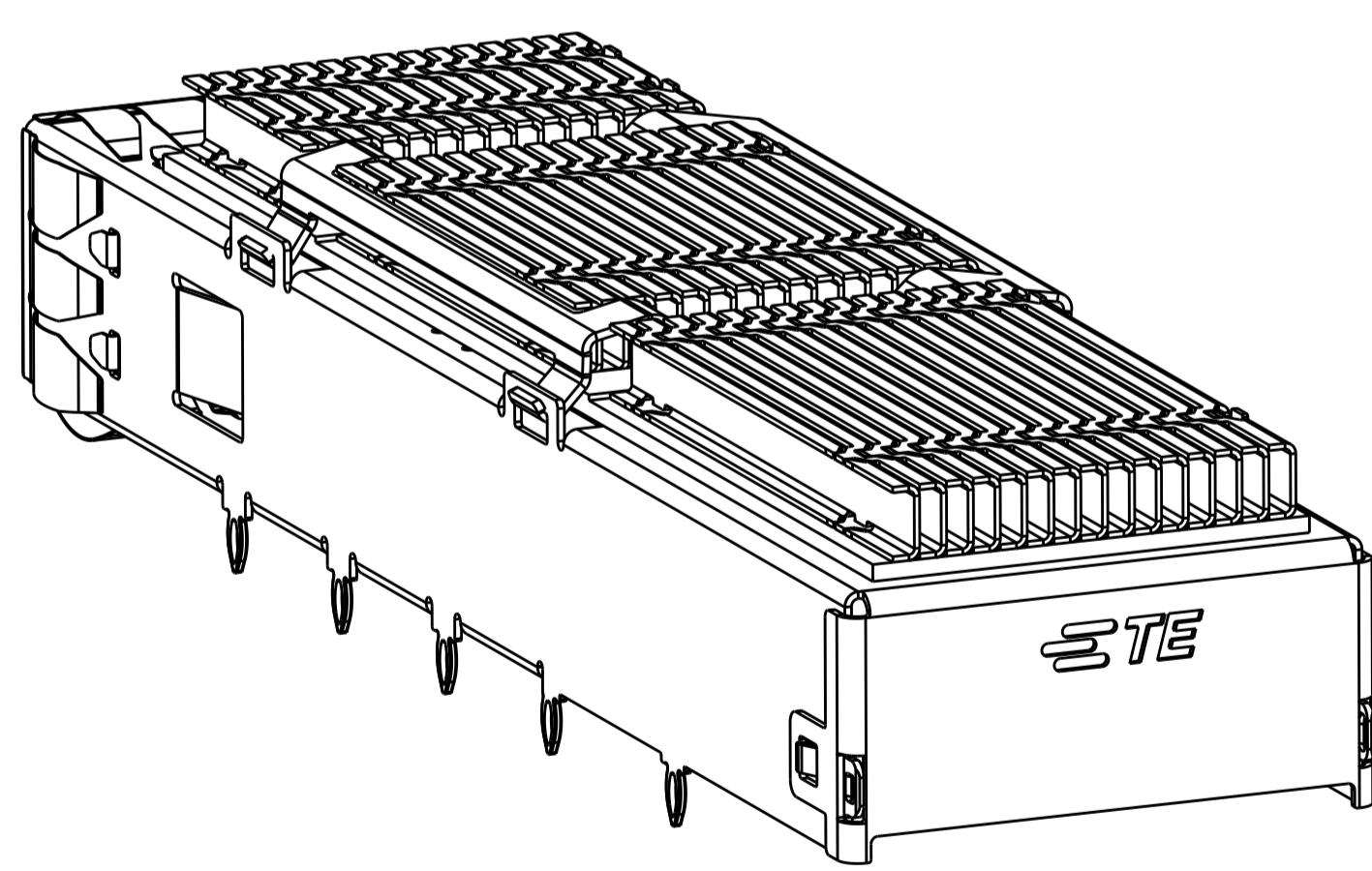
2342934-1 AS SHOWN
 WITH PCI HEAT SINK
 SCALE 4:1



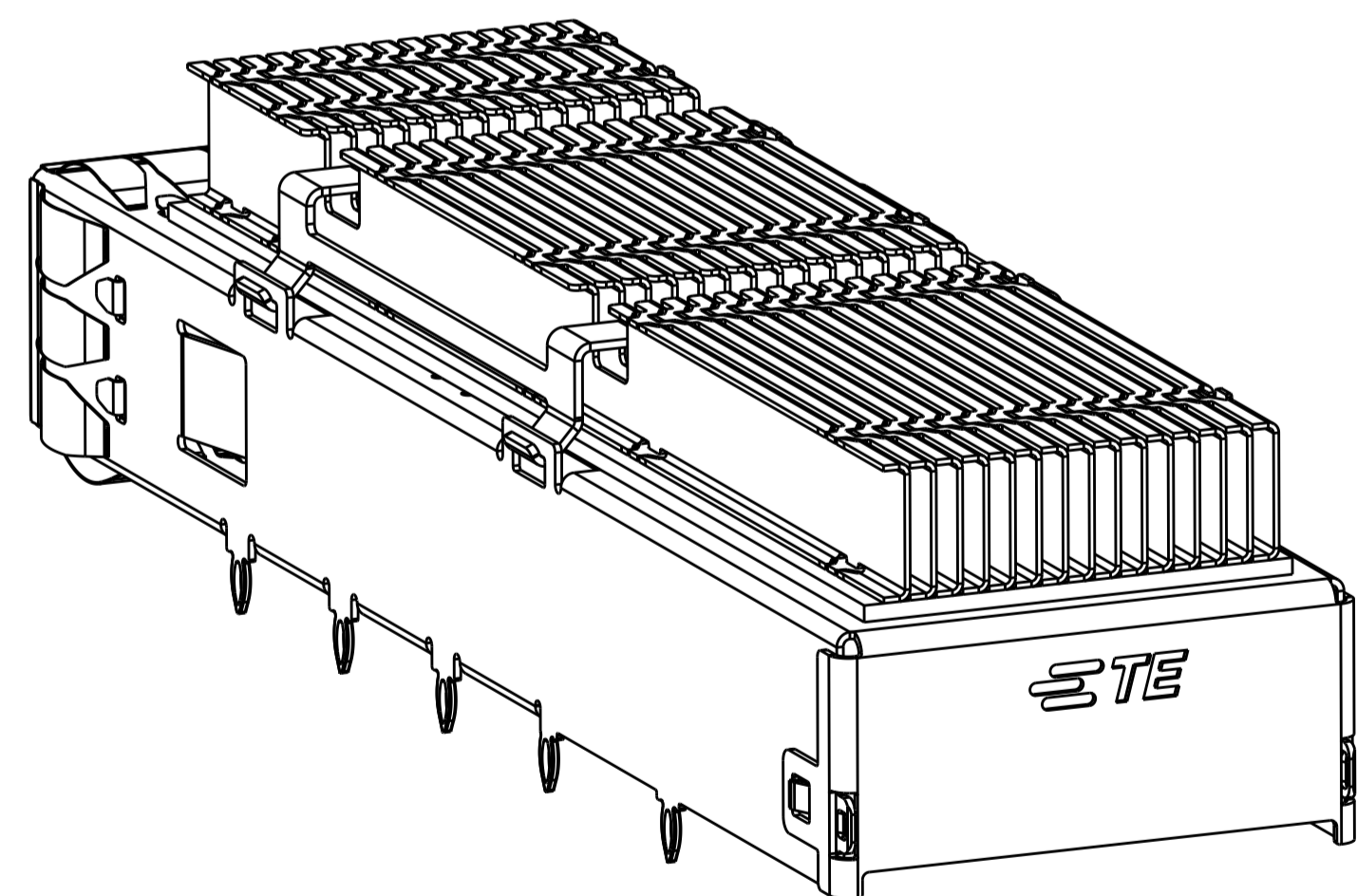
2342934-2 AS SHOWN
 WITH SAN HEAT SINK
 SCALE 4:1



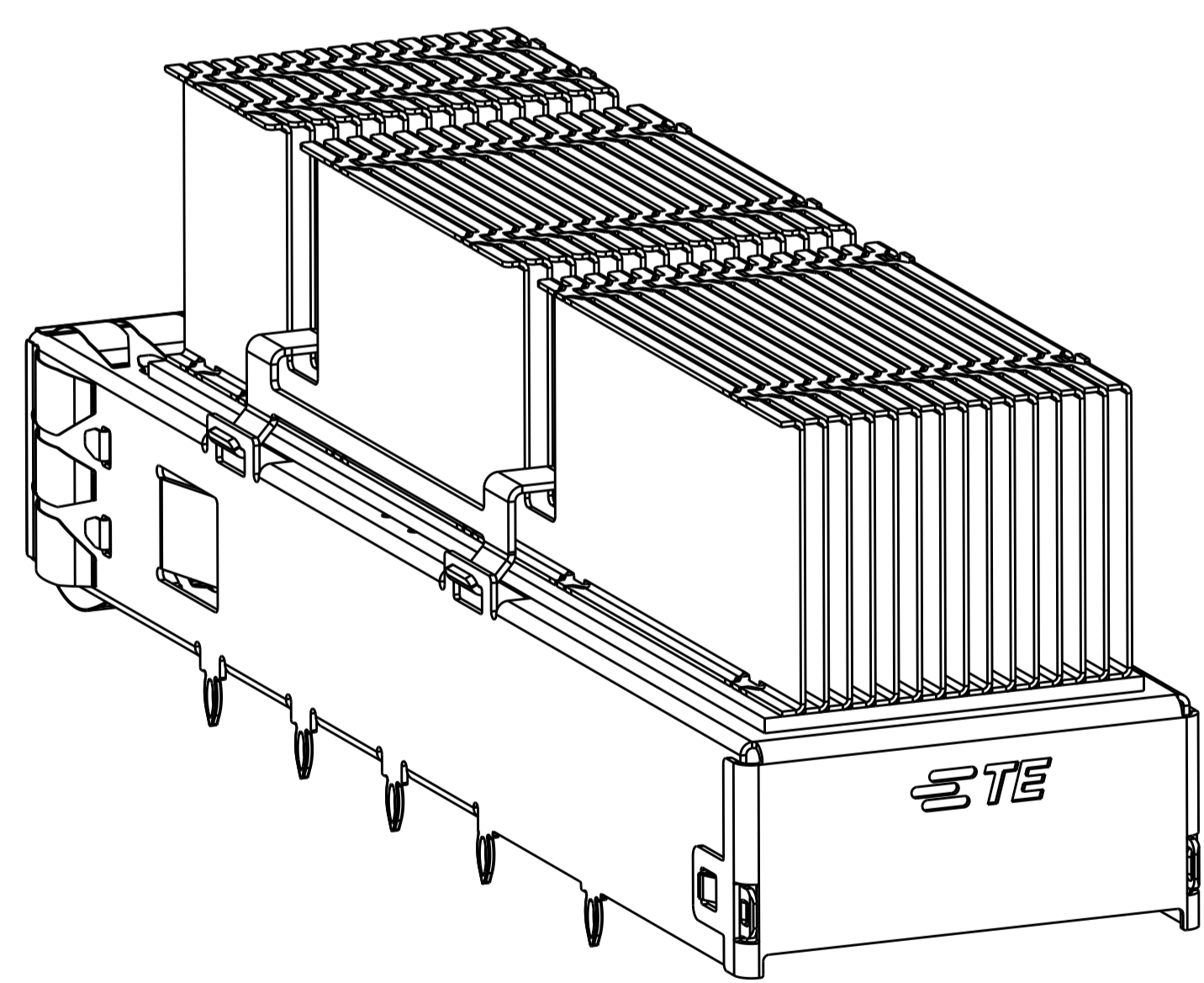
2342934-3 AS SHOWN
 WITH NETWORKING HEAT SINK
 SCALE 4:1



1-2342934-1 AS SHOWN
 SAME AS -1 EXCEPT W/O REAR PINS
 SCALE 4:1



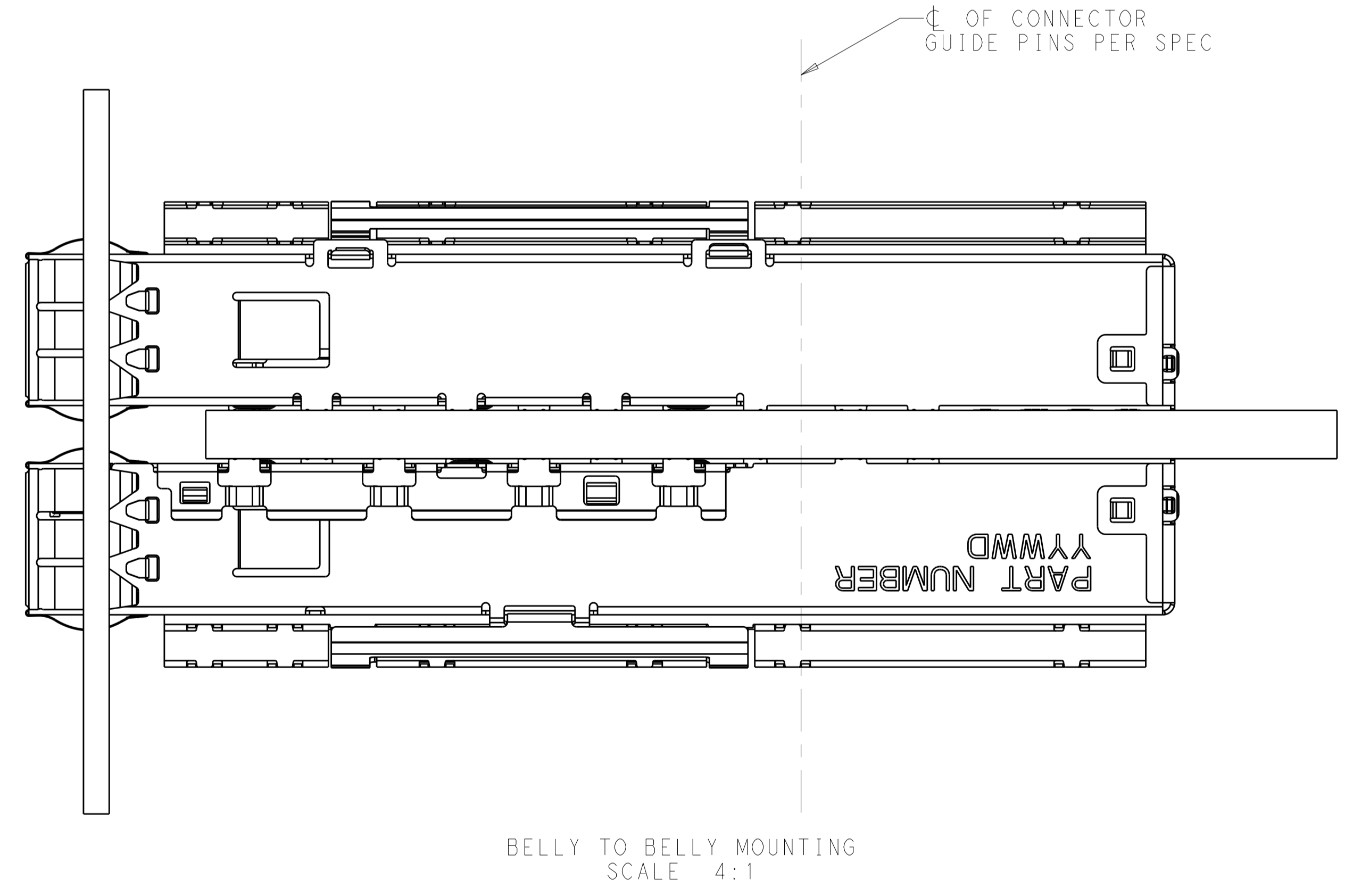
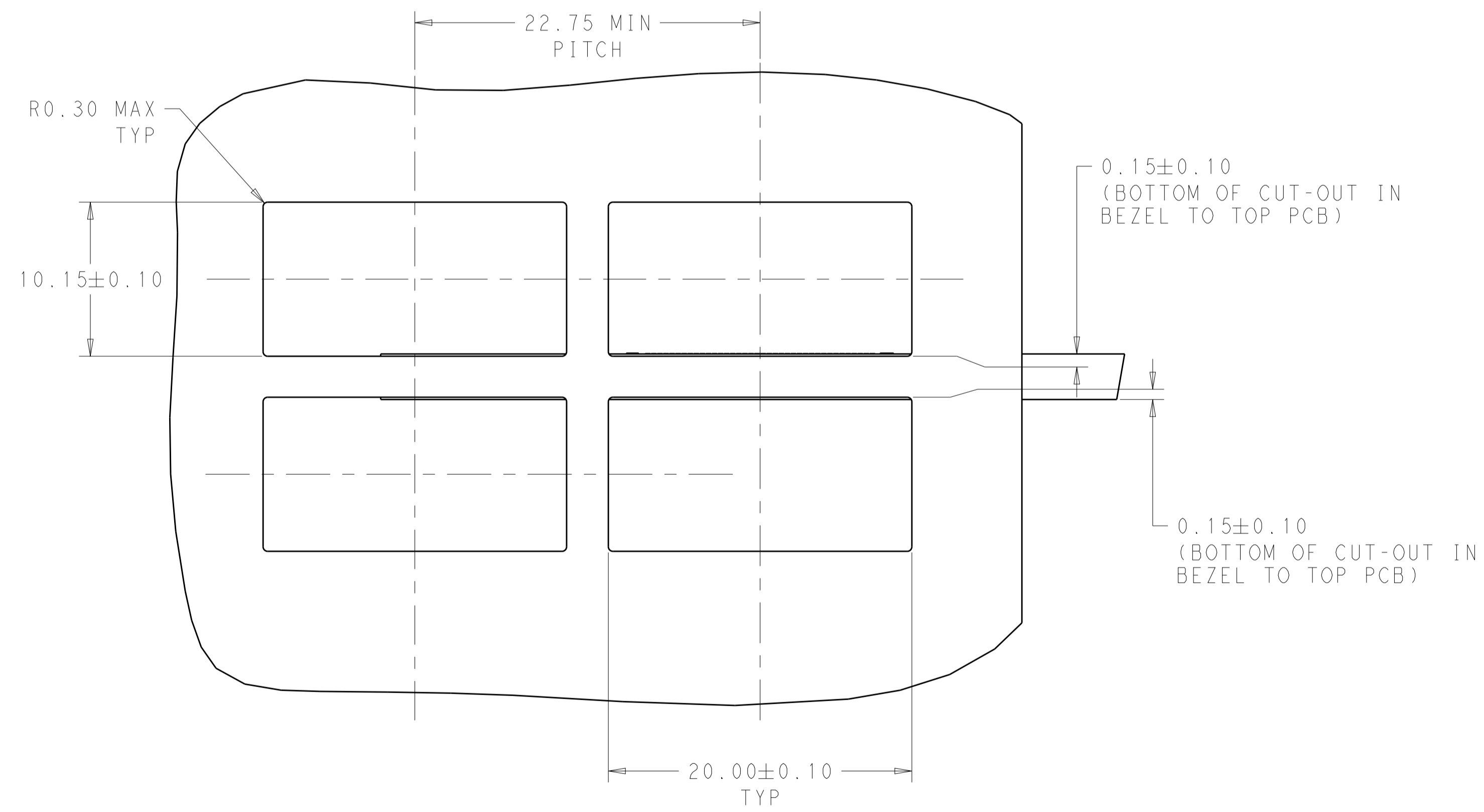
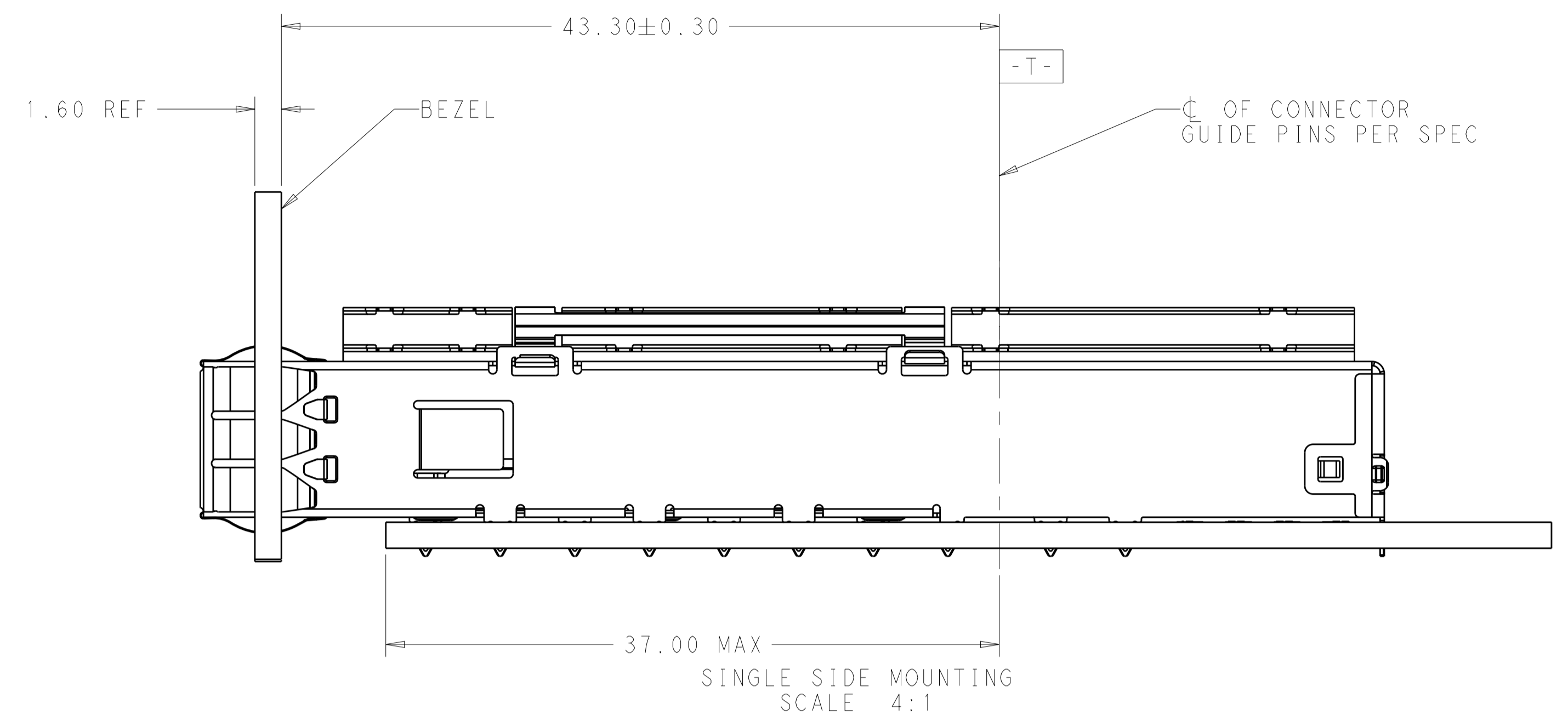
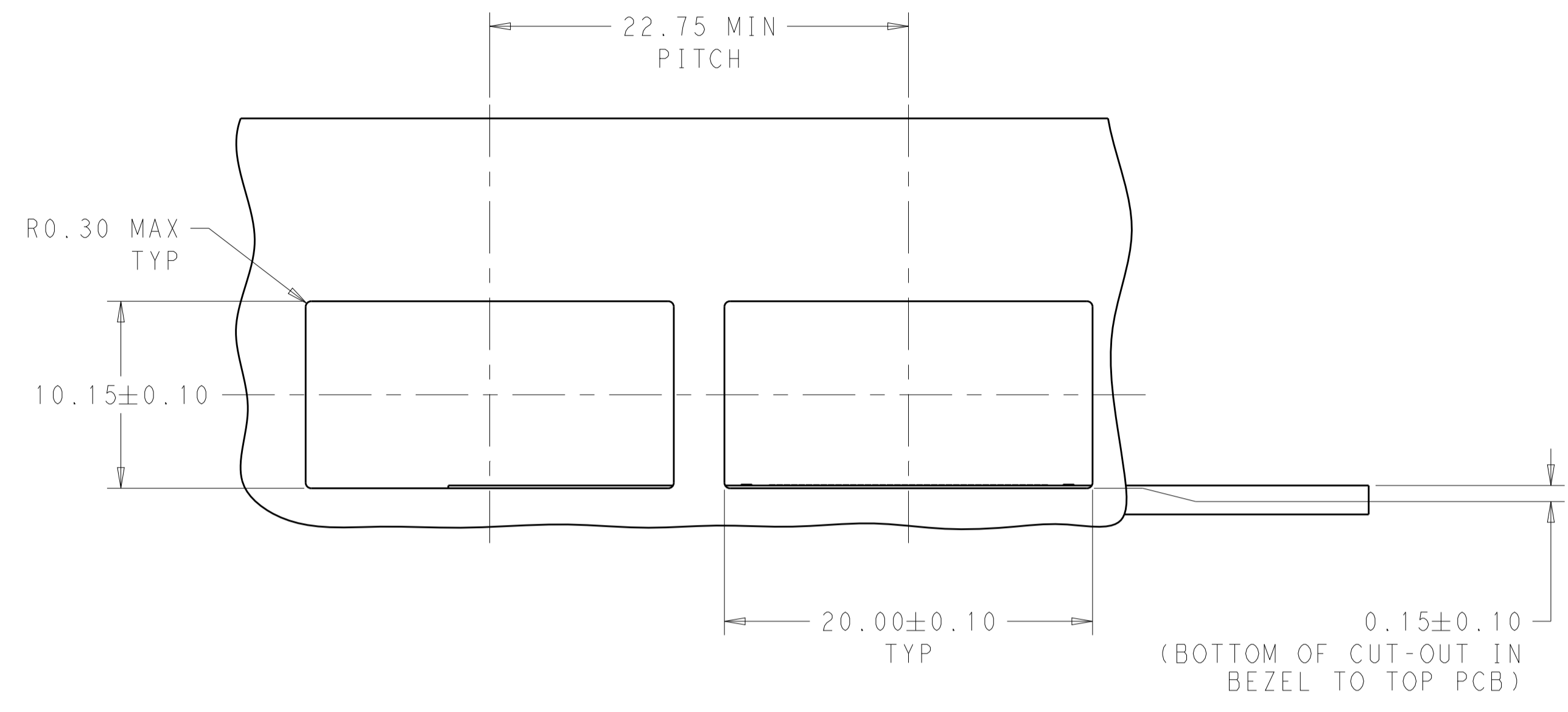
1-2342934-2 AS SHOWN
 SAME AS -2 EXCEPT W/O REAR PINS
 SCALE 4:1



1-2342934-3 AS SHOWN
 SAME AS -3 EXCEPT W/O REAR PINS
 SCALE 4:1

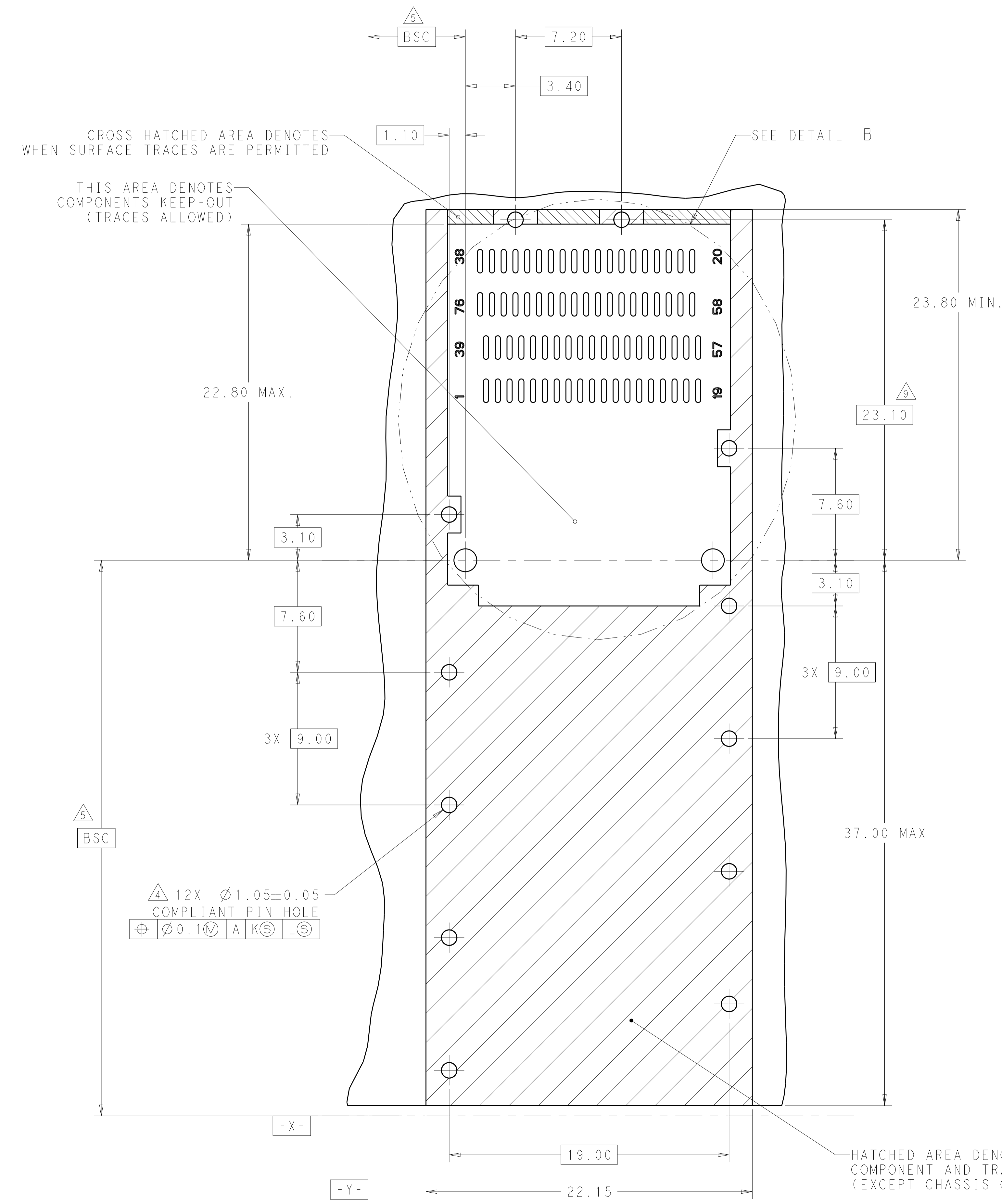
| | | | |
|--|-------------|-----------------------------|---|
| THIS DRAWING IS A CONTROLLED DOCUMENT. | | OWN: ARTHUR JLN 30AUG2018 | |
| | | CHK: SEAN HAN 29AUG2018 | |
| DIMENSIONS: | | APVD: SEAN HAN 30AUG2018 | NAME: CAGE ASSEMBLY, QSFP-DD STANDARD WITH EMI SPRING FINGER ZIPPER FIN HEAT SINK |
| TOLERANCES UNLESS OTHERWISE SPECIFIED: | | PRODUCT SPEC: 108-60122 | |
| mm | 0 PLC ±0.25 | APPLICATION SPEC: 114-60025 | RESTRICTED TO: |
| | 1 PLC ±0.25 | WEIGHT: - | A1 |
| | 2 PLC ±0.20 | CUSTOMER DRAWING | SCALE 2:1 SHEET 2 OF 5 REV B |
| | 3 PLC ±0.10 | | |
| | 4 PLC ± | | |
| | ANGLES ±° | | |
| | FINISH | | |

| LOC | | DIST | | REVISIONS | | | |
|-----|---|------|---|-------------|------|-----|------|
| | | | | DESCRIPTION | DATE | OWN | APVD |
| - | - | - | - | SEE SHEET 1 | - | - | - |
| | | | | | | | |
| | | | | | | | |

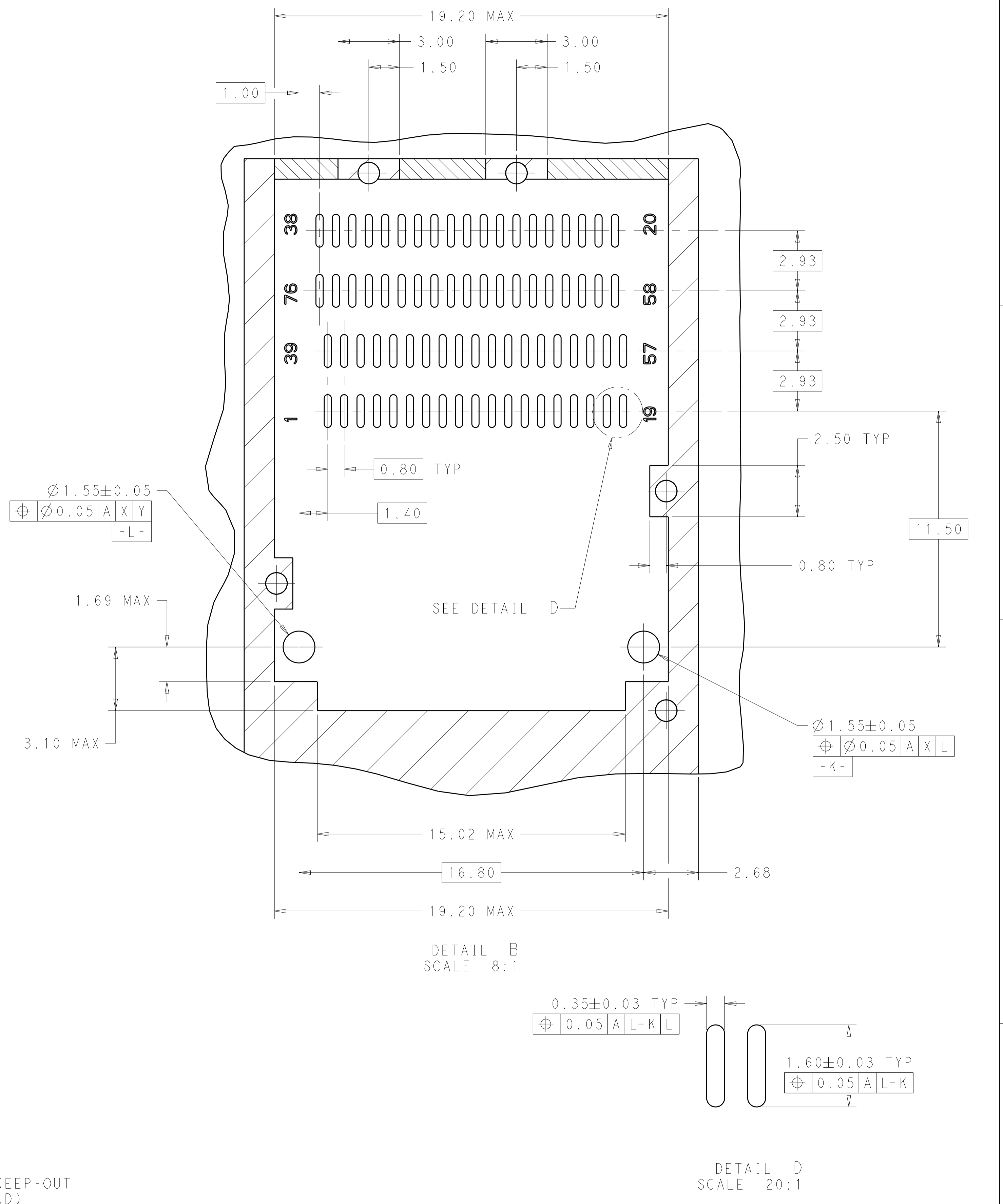


| | | | |
|--|--|---------------------------|--|
| THIS DRAWING IS A CONTROLLED DOCUMENT. | | OWN: ARTHUR JIH 30AUG2018 | TE Connectivity |
| DIMENSIONS: mm | | CHK: SEAN HAN 29AUG2018 | |
| TOLERANCES UNLESS OTHERWISE SPECIFIED: | | APVD: SEAN HAN 30AUG2018 | NAME: CAGE ASSEMBLY, QSPF-DD STANDARD WITH EMI SPRING FINGER ZIPPER FIN HEAT SINK PRODUCT SPEC: 108-60122 APPLICATION SPEC: 114-60025 WEIGHT: - CUSTOMER DRAWING |
| 0 PLC ±0.25 1 PLC ±0.25 2 PLC ±0.20 3 PLC ±0.10 4 PLC ± ANGLES ±° | | RESTRICTED TO: - | |
| MATERIAL: - | | SCALE: 2:1 | |
| FINISH: - | | SHEET 3 OF 5 | |

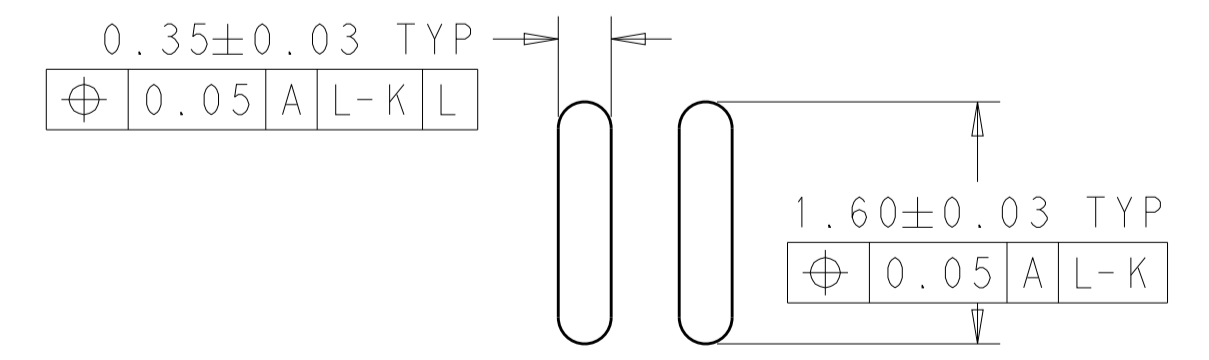
| LOC | DIST | REV | DATE | BY | APPV |
|-------------|------|-----|-----------|----------|------|
| - | - | 1 | 30AUG2018 | SEAN HAN | |
| SEE SHEET 1 | | | | | |



RECOMMENDED PCB LAYOUT
SINGLE TYPE OF 2 REAR HOLES OF LEGS
PCB TOLERANCE: ±0.05
SCALE 6:1



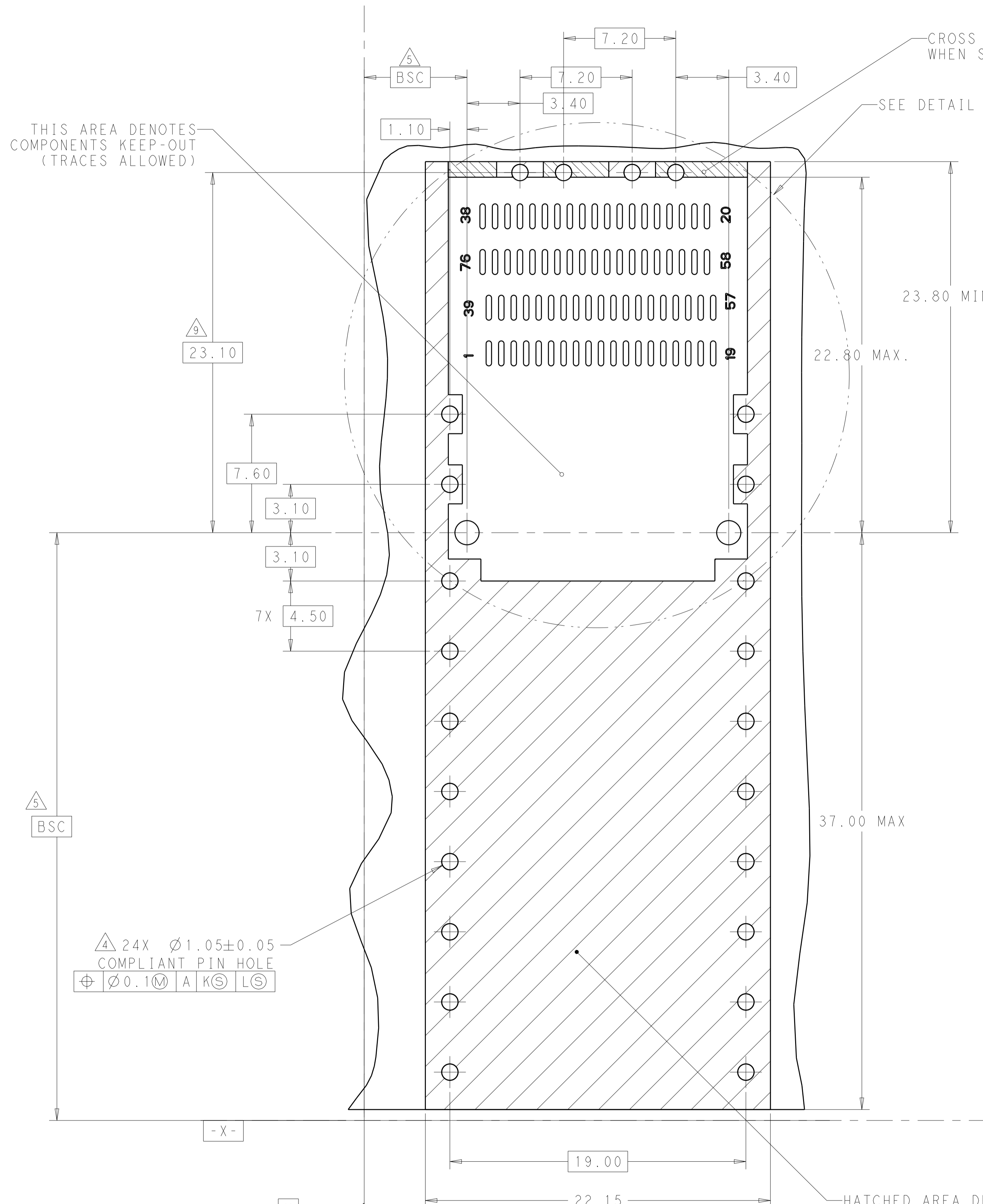
DETAIL B
SCALE 8:1



DETAIL D
SCALE 20:1

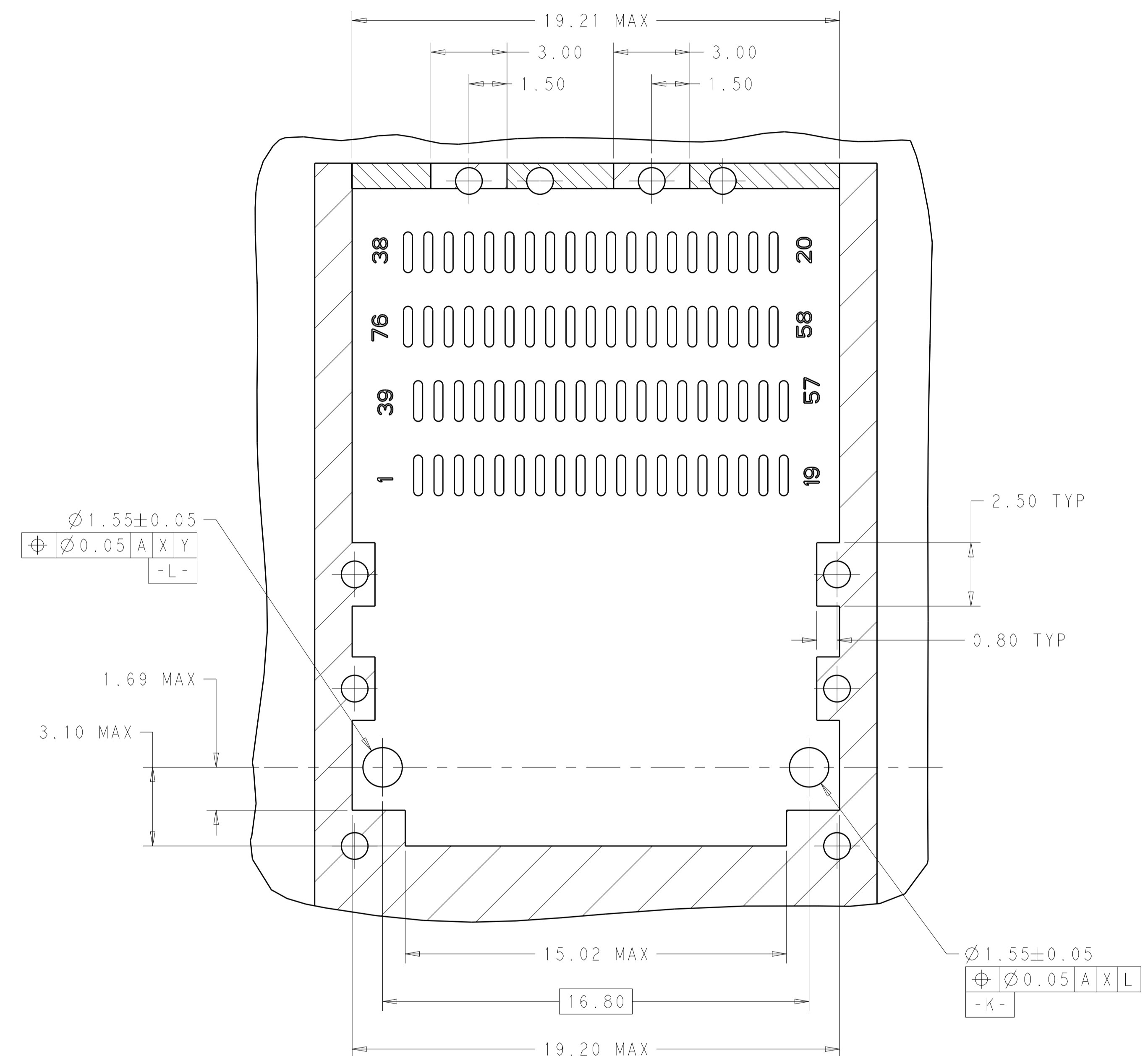
| | | | |
|--|--|-----------------------------|---|
| THIS DRAWING IS A CONTROLLED DOCUMENT. | | OWN: ARTHUR JIH 30AUG2018 | TE Connectivity |
| DIMENSIONS: mm | | CHK: SEAN HAN 29AUG2018 | |
| TOLERANCES UNLESS OTHERWISE SPECIFIED: | | APPV: SEAN HAN 30AUG2018 | NAME: CAGE ASSEMBLY, QSFP-DD STANDARD WITH EMI SPRING FINGER ZIPPER FIN HEAT SINK |
| 0 PLC ±0.25 | | PRODUCT SPEC: 108-60122 | |
| 1 PLC ±0.25 | | APPLICATION SPEC: 114-60025 | |
| 2 PLC ±0.20 | | WEIGHT: - | |
| 3 PLC ±0.20 | | SIZE: A1 | SCALE: 2:1 SHEET 4 OF 5 REV B |
| 4 PLC ±0.10 | | CUSTOMER DRAWING | |
| ANGLES: ° | | | |
| FINISH: - | | | |

| LOC | DIST | REV | DATE | BY | APPD |
|-------------|------|-----|-----------|----------|------|
| - | - | 1 | 30AUG2018 | SEAN HAN | |
| REVISIONS | | | | | |
| DESCRIPTION | | | DATE | BY | APPD |
| SEE SHEET 1 | | | - | - | - |



CROSS HATCHED AREA DENOTES WHEN SURFACE TRACES ARE PERMITTED

SEE DETAIL C



DETAIL C
SCALE 8:1

RECOMMENDED PCB LAYOUT
BELLY TO BELLY TYPE OF 2 REAR HOLES OF LEGS
PCB TOLERANCE: ±0.05
SCALE 6:1

| | | | |
|--|-------------|-----------------------------|---|
| THIS DRAWING IS A CONTROLLED DOCUMENT. | | OWN: ARTHUR JIH 30AUG2018 | TE Connectivity |
| DIMENSIONS: mm | | CHK: SEAN HAN 29AUG2018 | |
| TOLERANCES UNLESS OTHERWISE SPECIFIED: | | APPD: SEAN HAN 30AUG2018 | NAME: CAGE ASSEMBLY, QSPF-DD STANDARD WITH EMI SPRING FINGER ZIPPER FIN HEAT SINK |
| 0 PLC ±0.25 | 1 PLC ±0.25 | PRODUCT SPEC: 108-60122 | SIZE: A1 |
| 2 PLC ±0.25 | 3 PLC ±0.20 | APPLICATION SPEC: 114-60025 | CAGE CODE: C=2342934 |
| 4 PLC ±0.10 | ANGLES ±° | WEIGHT: - | RESTRICTED TO: - |
| MATERIAL: - | FINISH: - | CUSTOMER DRAWING | SCALE: 2:1 SHEET 5 OF 5 REV B |