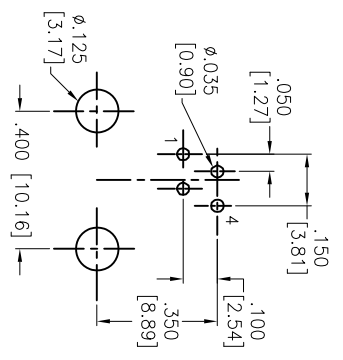
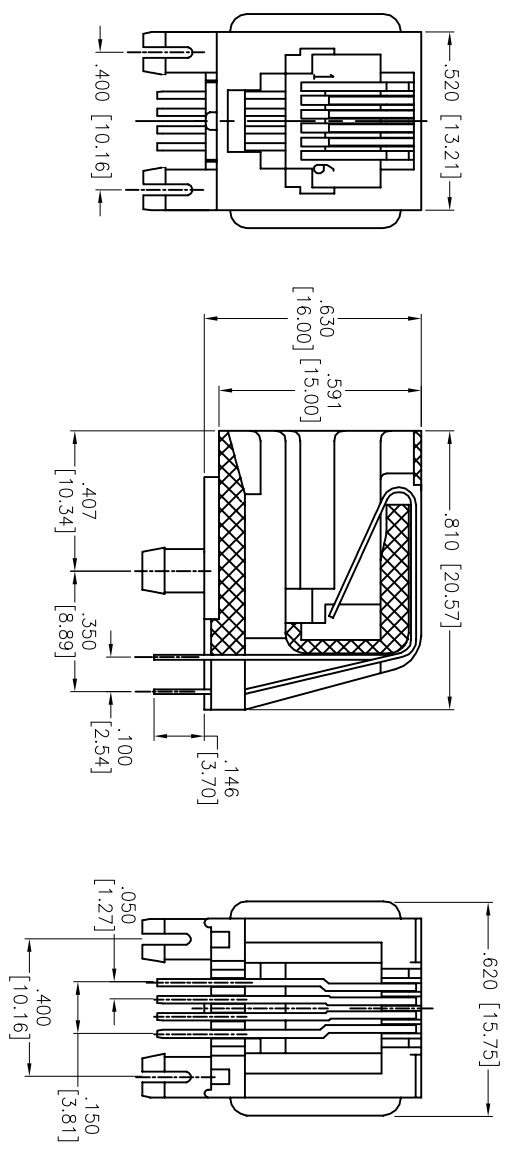


Rev	AWO #	Description	Date	Appr
-		RELEASED	12/1/04	
A		UPDATED SPECS	01/13/05	
B		REDRAWN	7/18/12	

APPROVED: _____
 DATE: _____ TITLE: _____



SPECIFICATIONS:

- Material: Insulator: PBT, rated UL 94V-0
- Insulator color: Black
- Contacts: Phosphor Bronze
- Plating: Gold over Nickel underplate on contact area, Tin over Copper underplate on PCB tails (See chart for thickness)
- Electrical: Operating voltage: 125 VAC max
- Current rating: 1.5 Amps max
- Contact resistance: 20 mohms max
- Insulation resistance: 1,000 Mohms min @ 500 VDC
- Dielectric withstanding voltage: 1,000 VAC for 1 minute
- Temperature Rating: Operating temperature: -40°C to +85°C
- Environmental: Lead free, RoHS compliant.

X	PLATING
0	15 µin Gold
1	30 µin Gold
2	50 µin Gold

UNLESS OTHERWISE SPECIFIED ALL DIMENSIONS ARE INCHES [MM]	
.X	± .10
.XX	± .020
.XXX	± .015
.XXX	± .010
APPROVALS	DATE
DRAWN	SS
CHECKED	
APPROVED	

ADAM TECH

909 Rahway Avenue, Union, NJ 07083
 Phone: 908-687-5000 Fax: 908-687-5710

TITLE: MODULAR TELEPHONE JACK, 6P4C
 RIGHT ANGLE, PCB

SIZE	PART NO.	REV.
X	MTJ-641X1	B

REF: S0003C SCALE: NTS SHEET 1 OF 1