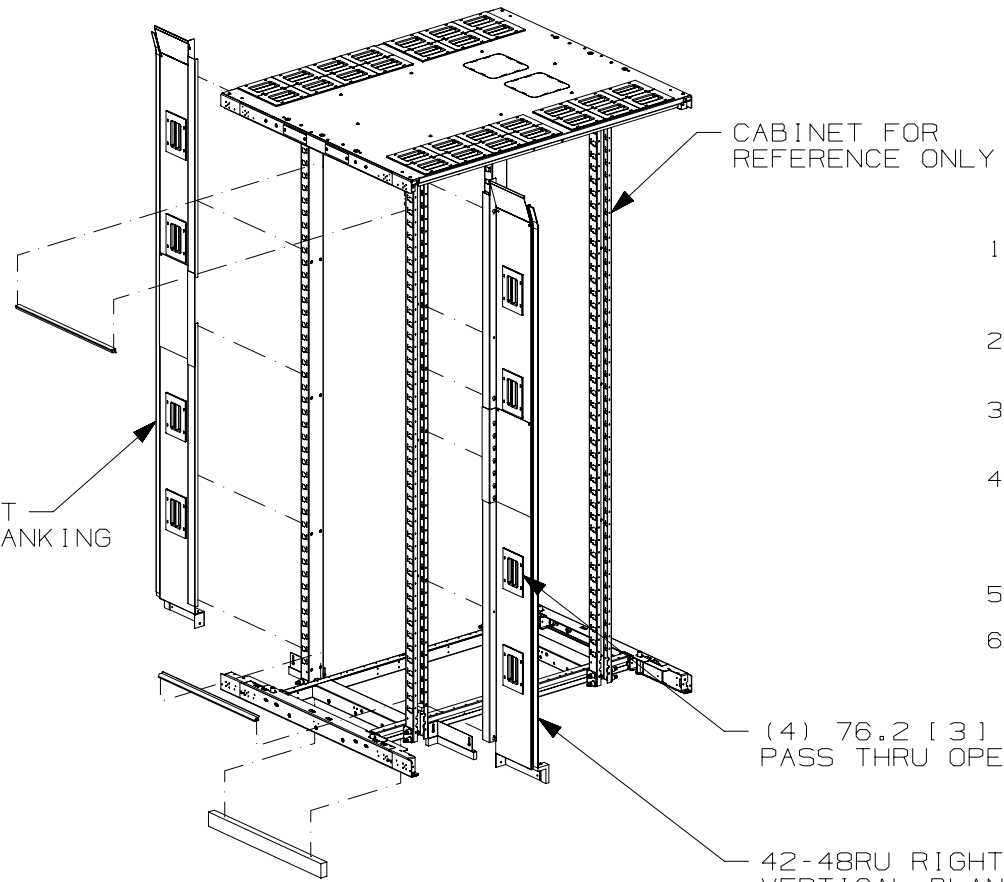


THIS COPY IS PROVIDED ON A RESTRICTED BASIS AND IS NOT TO BE USED IN ANY WAY DETRIMENTAL TO THE INTERESTS OF PANDUIT CORP.



PANDUIT PART NO.	WEIGHT
NVBPA7018B	18.8 LBS/EACH 8.5 Kg/EACH

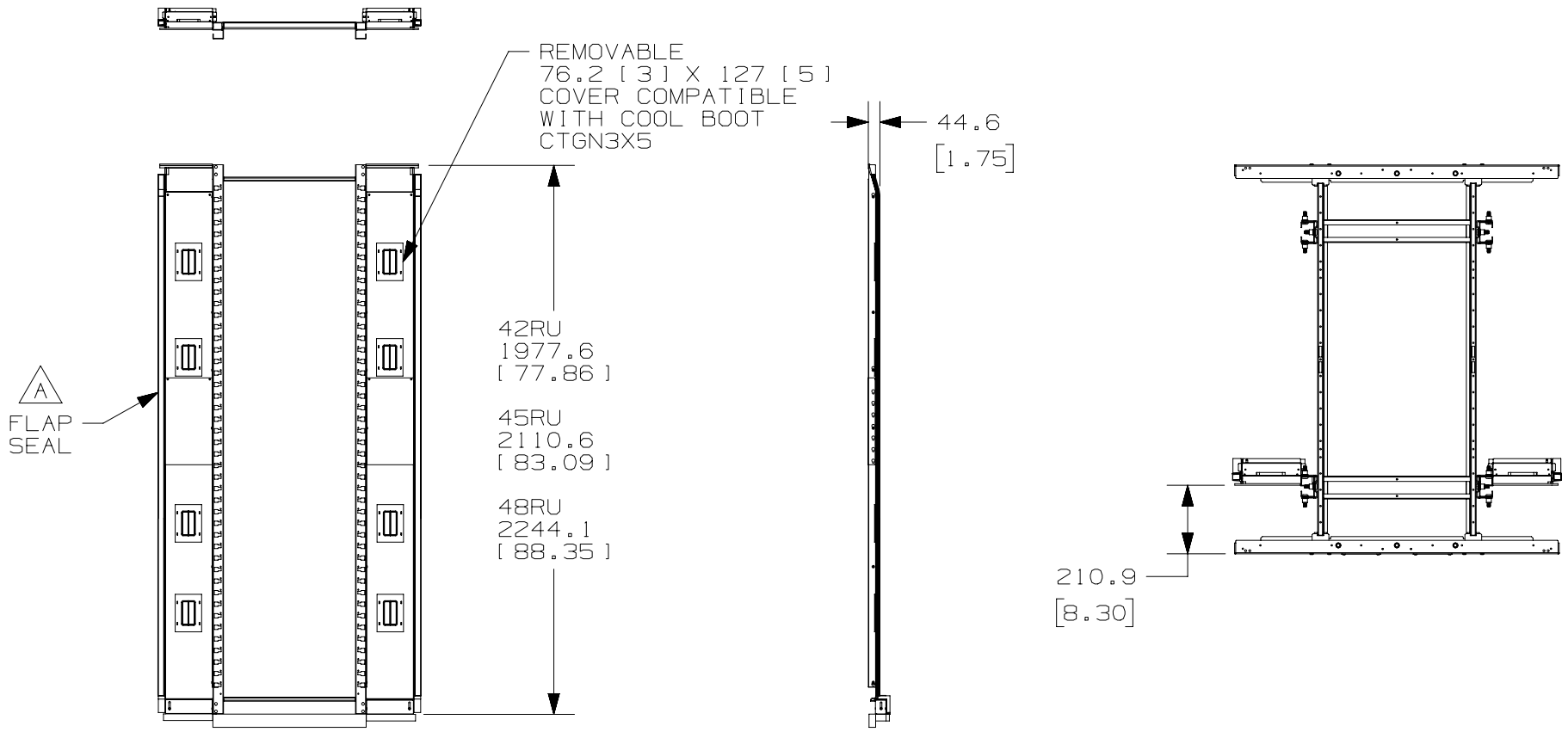
- VISIT OUR ON-LINE CATALOG AT [WWW.PANDUIT.COM](http://WWW.PANDUIT.COM) FOR A LIST OF CURRENT PARTS APPLICABLE FOR USE WITH THIS PRODUCT.
- PRIMARY DIMENSIONS ARE METRIC (mm). DIMENSIONS IN PARENTHESES ARE IN INCHES [IN].
- VERTICAL BLANKING PANELS BLOCK BYPASS AIR AND DIRECT COLD AIRFLOW THROUGH EQUIPMENT.
- PARTS SUPPLIED:  
 1- 42-48RU RIGHT VERTICAL BLANKING PANEL  
 1- 42-48RU LEFT VERTICAL BLANKING PANEL  
 1- HARDWARE AND SEAL KIT  
 1- INSTRUCTION SHEET
- FULLY BONDED STRUCTURE WHEN ASSEMBLED PER INSTRUCTIONS.
- COMPATIBLE WITH CTGN3X5 COOL BOOT.

APPLICATION VIEW - CABINET NOT INCLUDED

REV	DATE	BY	CHK	APR	DESCRIPTION	ECN
01A	06-07-16	SSP	ANI	BRAP	A. FOAM SEAL ON BLANKING PANEL REVISED TO A FLAP SEAL	V09000PA
00A	06-25-14	PBS			RELEASED TO PRODUCTION	094094NF

TITLE <b>AIR DAM FOR 1000mm WIDE 42-48RU N-TYPE CABINET (NVBPA7018B)</b>		<b>PANDUIT</b>											
CUSTOMER DRAWING													
ITEM REVISION NAME <b>09V094NF/01</b>		MATERIAL:  <b>N/A</b>											
DATASET FILE NAME <b>09V094NF_DC/01A</b>													
UNLESS OTHERWISE SPECIFIED, DIMENSIONAL TOLERANCES ARE: <table border="1"> <tr> <td>INCHES</td> <td>METRIC - MILLIMETER</td> <td>ANGLE</td> </tr> <tr> <td>X.X +/- 0.03</td> <td>X +/- 0.8</td> <td>+/- 1°</td> </tr> <tr> <td>X.XX +/- 0.018</td> <td>X.X +/- 0.46</td> <td></td> </tr> <tr> <td>X.XXX +/- 0.007</td> <td>X.XX +/- 0.18</td> <td></td> </tr> </table>			INCHES	METRIC - MILLIMETER	ANGLE	X.X +/- 0.03	X +/- 0.8	+/- 1°	X.XX +/- 0.018	X.X +/- 0.46		X.XXX +/- 0.007	X.XX +/- 0.18
INCHES	METRIC - MILLIMETER	ANGLE											
X.X +/- 0.03	X +/- 0.8	+/- 1°											
X.XX +/- 0.018	X.X +/- 0.46												
X.XXX +/- 0.007	X.XX +/- 0.18												
DRAWING NUMBER: <b>09V094NF</b>													
THIRD ANGLE PROJECTION													
DRAWN BY <b>PBS</b>	DATE <b>06-25-14</b>	SCALE <b>NONE</b>											
SHT 1 OF 2		SIZE <b>A</b>											

THIS COPY IS PROVIDED ON A RESTRICTED BASIS AND IS NOT TO BE USED IN ANY WAY DETRIMENTAL TO THE INTERESTS OF PANDUIT CORP.



REV	DATE	BY	CHK	APR	DESCRIPTION	ECN
01A	06-07-16	SSP	ANI	BRAP	SEE SHEET 1 OF 2 FOR REVISIONS	V09000PA
00A	06-25-14	PBS			SEE SHEET 1 OF 2 FOR REVISIONS	09V094NF

TITLE <b>AIR DAM FOR 1000mm WIDE 42-48RU N-TYPE CABINET (NVBPA7018B)</b>				CUSTOMER DRAWING	
ITEM REVISION NAME <b>09V094NF/01</b>				<b>PANDUIT</b>	
DATASET FILE NAME <b>09V094NF_DC/01A</b>					
UNLESS OTHERWISE SPECIFIED, DIMENSIONAL TOLERANCES ARE:				MATERIAL: <b>N/A</b>	
INCHES X.X +/- 0.03 X.XX +/- 0.018 X.XXX +/- 0.007		METRIC - MILLIMETER X.X +/- 0.8 X.X +/- 0.46 X.XX +/- 0.18		ANGLE +/- 1°	
DRAWN BY <b>PBS</b>		DATE <b>06-25-14</b>		DRAWING NUMBER: <b>09V094NF</b>	
CHK		SCALE <b>NONE</b>		SHT 2 OF 2	
THIRD ANGLE PROJECTION		SIZE <b>A</b>			