

THIS DRAWING IS UNPUBLISHED.

RELEASED FOR PUBLICATION

© COPYRIGHT - By -

ALL RIGHTS RESERVED.

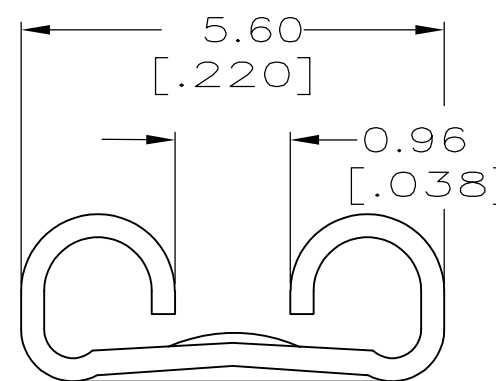
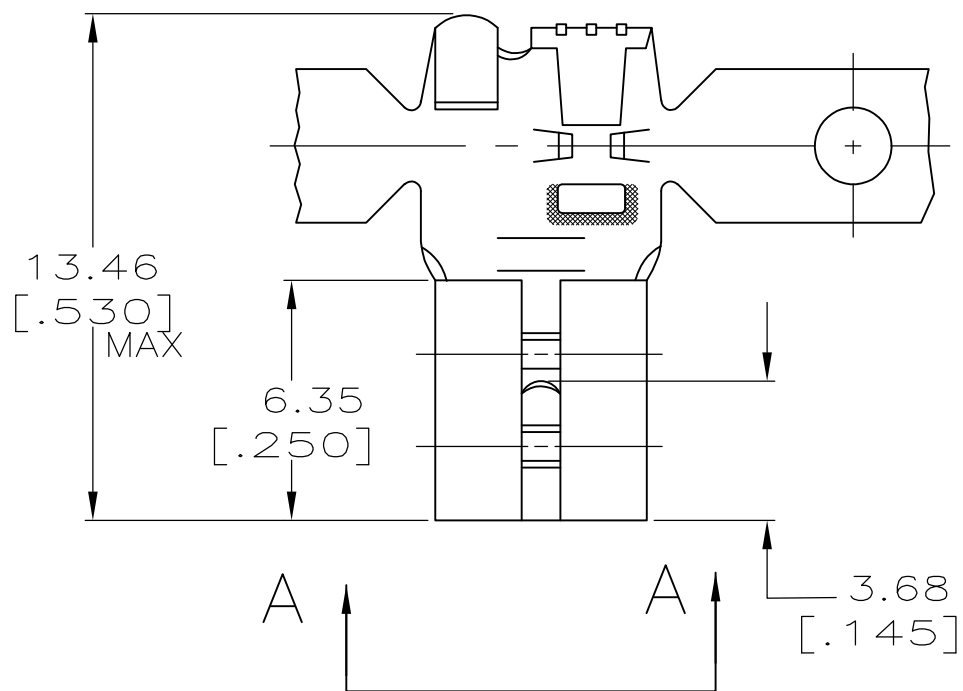
LOC
AF

DIST
50

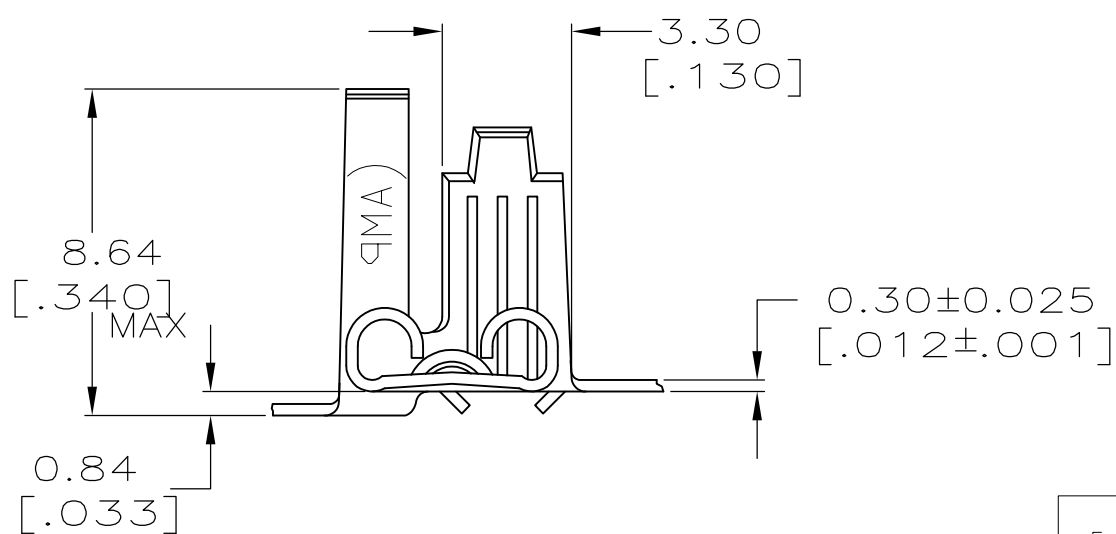
REVISIONS

P	LTR	DESCRIPTION	DATE	DWN	APVD
	D	REVISED PER ECR-12-013518	23NOV2012	KH	PD


1 CONTINUOUS STRIP ON REELS.



VIEW A-A



2.79-4.32 [.110-.170] DIA	0.5-1.3mm ² [20-16] AWG	TIN	0.51 [.020]	63417-2
INSUL RANGE	WIRE SIZE	-	MATING TAB THK ±0.025 [.001]	63417-1
		FINISH		PART NO

THIS DRAWING IS A CONTROLLED DOCUMENT.		DWN JR RUTH 12/20/85	 TE Connectivity RECEPTACLE, FASTON, FLAG, 4.75 [.187] SERIES				
DIMENSIONS: mm [INCHES]		CHK G YETTER 12/20/85				NAME	
TOLERANCES UNLESS OTHERWISE SPECIFIED:		APVD C MAYERS 12/20/85				PRODUCT SPEC	
0 PLC ± - 1 PLC ± - 2 PLC ± 0.25 [.010] 3 PLC ± - 4 PLC ± - ANGLES ± -		APPLICATION SPEC					
MATERIAL BRASS	FINISH SEE TABLE	WEIGHT -	SIZE A3	CAGE CODE 00779	DRAWING NO C-63417		
CUSTOMER DRAWING			SCALE 5:1	SHEET 1 OF 1	REV D		