

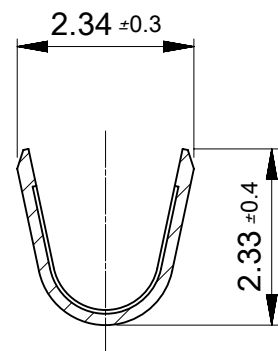
注記

NOTES

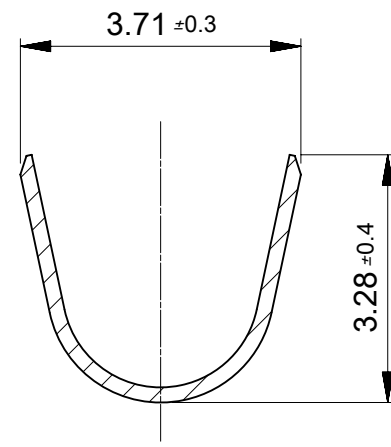
- 適合ハウジング : 504694,505606 SERIES  
APPLICABLE HOUSING:504694,505606 SERIES
- 材料 MATERIAL  
銅合金(t=0.2)  
COPPER ALLOY(t=0.2)  
錫めっき 0.7μm以上 リフロー処理(前めっき)  
TIN 0.7μm MIN. REFLOW TREATMENT (PRE-PLATED)
- △トレードマーク : MXプラス1文字の製造工場を示す  
アルファベットにて表示。  
但し"J"はJAPANを示す。  
FORMED BY MX AND 1 MORE LETTER OF ALPHABET  
WHICH MEAN THE MANUFACTORY.  
BUT "J" MEANS JAPAN. (TO TRADE MARK) (ex MXJ)  
ELV AND RoHS COMPLIANT
- 適用電線サイズ AWG#18 ~ 22  
APPLICABLE WIRE AWG#18 ~ 22
- 被覆外径 : 1.55 ~ 2.6mm  
INSULATION OUTSIDE DIAMETER : 1.55 ~ 2.6mm
- 製品仕様書及び取り扱いについては、製品仕様書  
5056050000PS000、コネクタ取扱説明書 5056050000PSA00,A01  
を参照願います。  
PLEASE REFER TO PRODUCTS SPECIFICATION  
5056050000PS000 AND USER'S MANUAL 5056050000PSA00,A01.
- 圧着仕様書については、5056070000PSC00を参照願います。  
PLEASE REFER TO CRIMPING SPECIFICATION  
5056070000PSC00.
- 圧着端子の注意事項としてATS-57427-0000を参照  
AS ATTENTION AT THE TIME OF CRIMP REFER TO  
ATS-57427-0000.

|                                 |                  |           |
|---------------------------------|------------------|-----------|
| POLY BAG                        | 5056080100       | バラ状 LOOSE |
| REEL                            | 5056080000       | 連鎖状 CHAIN |
| PACKAGING SPEC.                 | オーダー番号 ORDER NO. | 形態 FORM   |
| CONNECTOR SERIES NO. 5056080*00 |                  |           |

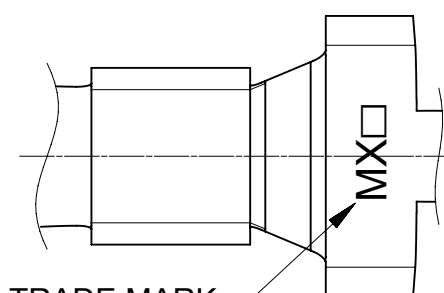
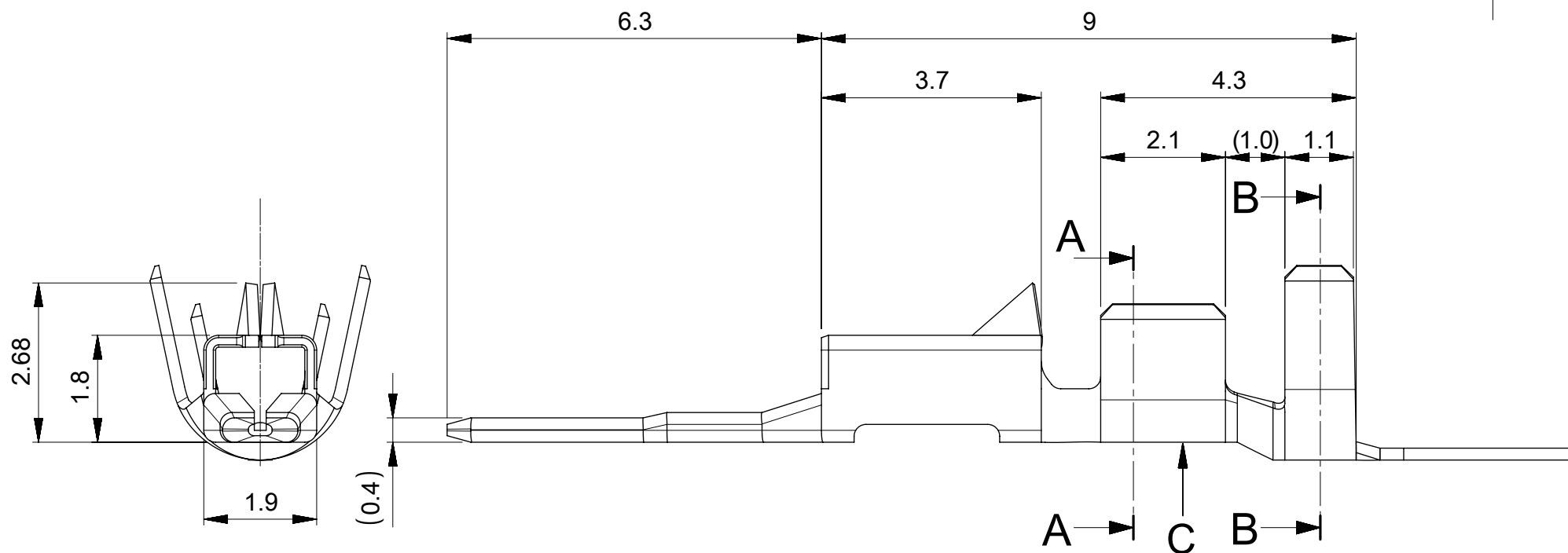
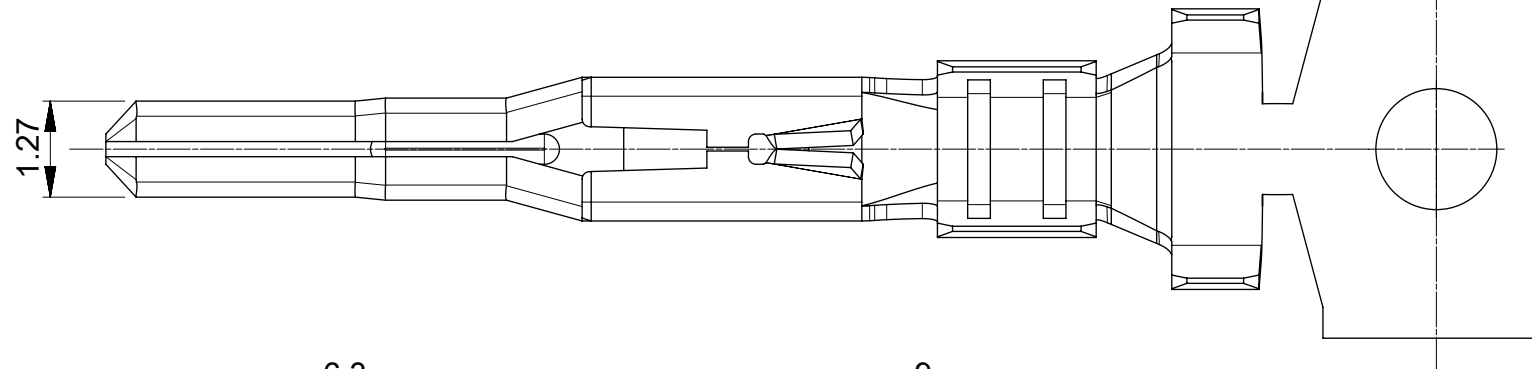
|                                                                                                                                               |        |                                                                              |         |        |                 |          |  |              |  |
|-----------------------------------------------------------------------------------------------------------------------------------------------|--------|------------------------------------------------------------------------------|---------|--------|-----------------|----------|--|--------------|--|
| THIS DRAWING CONTAINS INFORMATION THAT IS PROPRIETARY TO MOLEX ELECTRONIC TECHNOLOGIES, LLC AND SHOULD NOT BE USED WITHOUT WRITTEN PERMISSION |        |                                                                              |         |        |                 |          |  |              |  |
| DIMENSION UNITS                                                                                                                               | SCALE  | CURRENT REV DESC:                                                            |         |        |                 |          |  |              |  |
| mm                                                                                                                                            | 10:1   | <b>molex</b>                                                                 |         |        |                 |          |  |              |  |
| GENERAL TOLERANCES (UNLESS SPECIFIED)                                                                                                         |        |                                                                              |         |        |                 |          |  |              |  |
| ANGULAR TOL                                                                                                                                   | ± 3.0° | CP 3.3 W/W PLUG CRIMP TERMINAL                                               |         |        |                 |          |  |              |  |
| 4 PLACES                                                                                                                                      | ± 0.2  |                                                                              |         |        |                 |          |  |              |  |
| 3 PLACES                                                                                                                                      | ± 0.2  | PRODUCT CUSTOMER DRAWING                                                     |         |        |                 |          |  |              |  |
| 2 PLACES                                                                                                                                      | ± 0.2  |                                                                              |         |        |                 |          |  |              |  |
| 1 PLACE                                                                                                                                       | ± 0.2  | DOCUMENT NUMBER: 5056080000    DOC TYPE: PSD    DOC PART: 000    REVISION: C |         |        |                 |          |  |              |  |
| 0 PLACES                                                                                                                                      | ± 0.2  |                                                                              |         |        |                 |          |  |              |  |
| DRAFT WHERE APPLICABLE MUST REMAIN WITHIN DIMENSIONS                                                                                          |        | THIRD ANGLE PROJECTION                                                       | DRAWING | SERIES | MATERIAL NUMBER | CUSTOMER |  | SHEET NUMBER |  |
|                                                                                                                                               |        |                                                                              | A3-SIZE | 505608 |                 | GENERAL  |  | 1 OF 1       |  |



SECTION A-A



SECTION B-B



VIEW C

△3 TRADE MARK