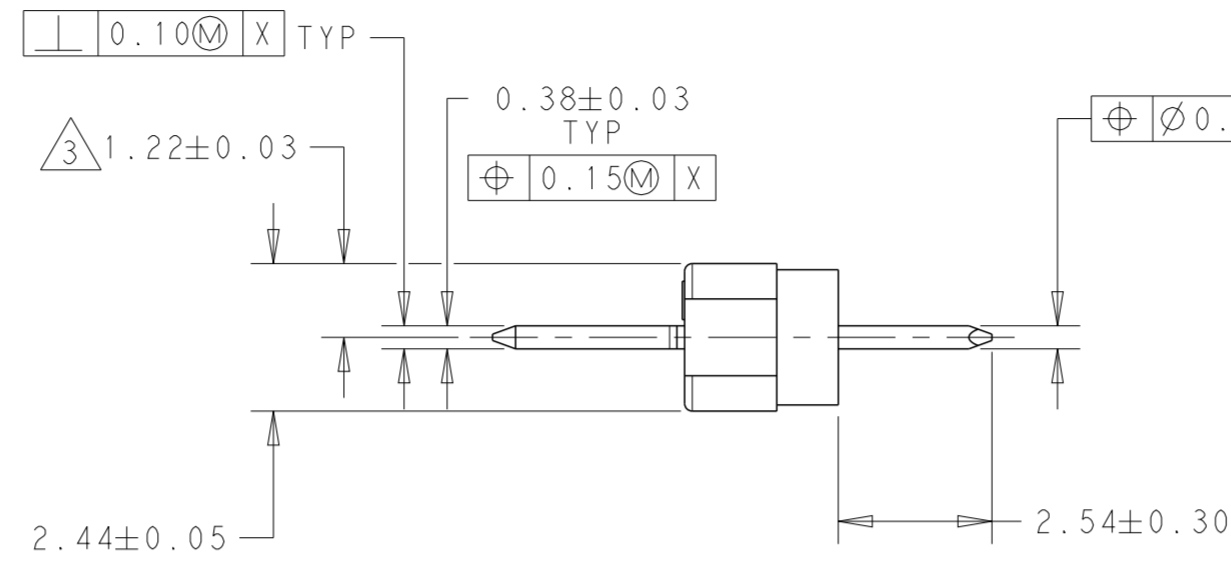
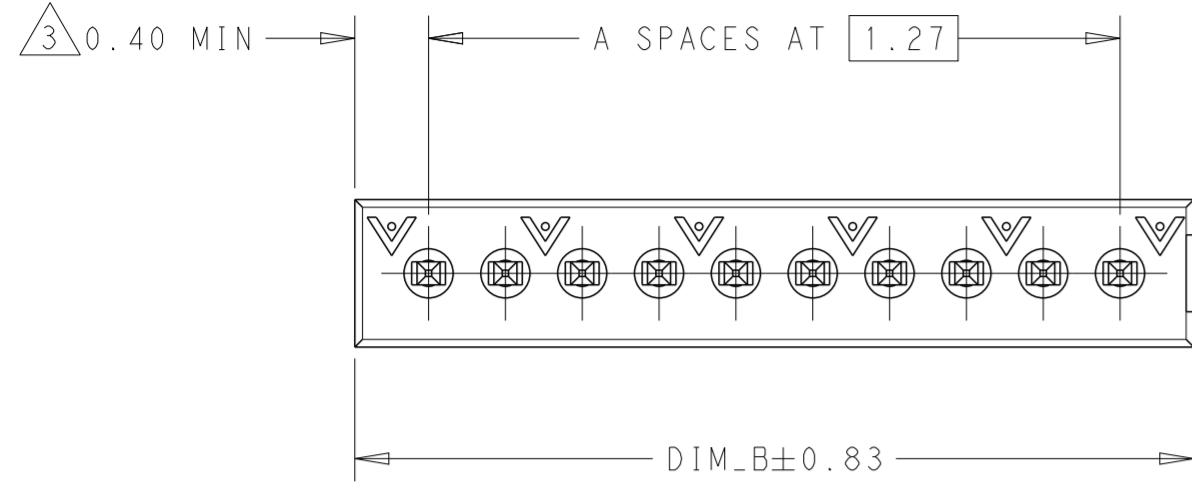
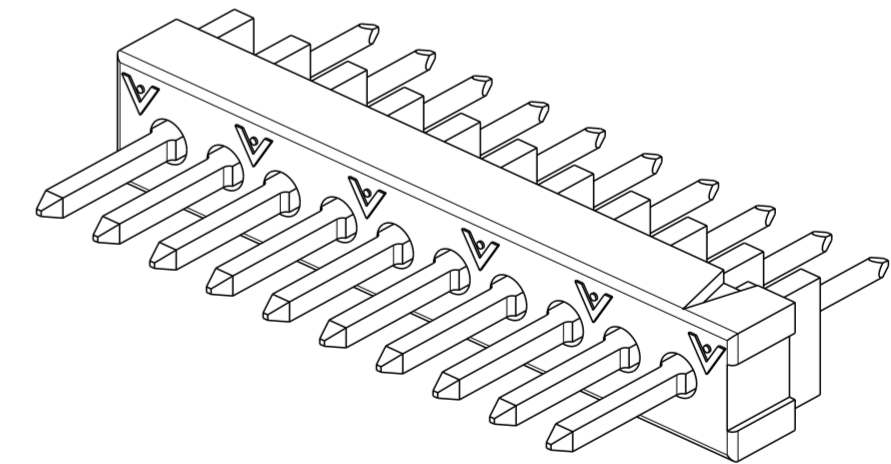
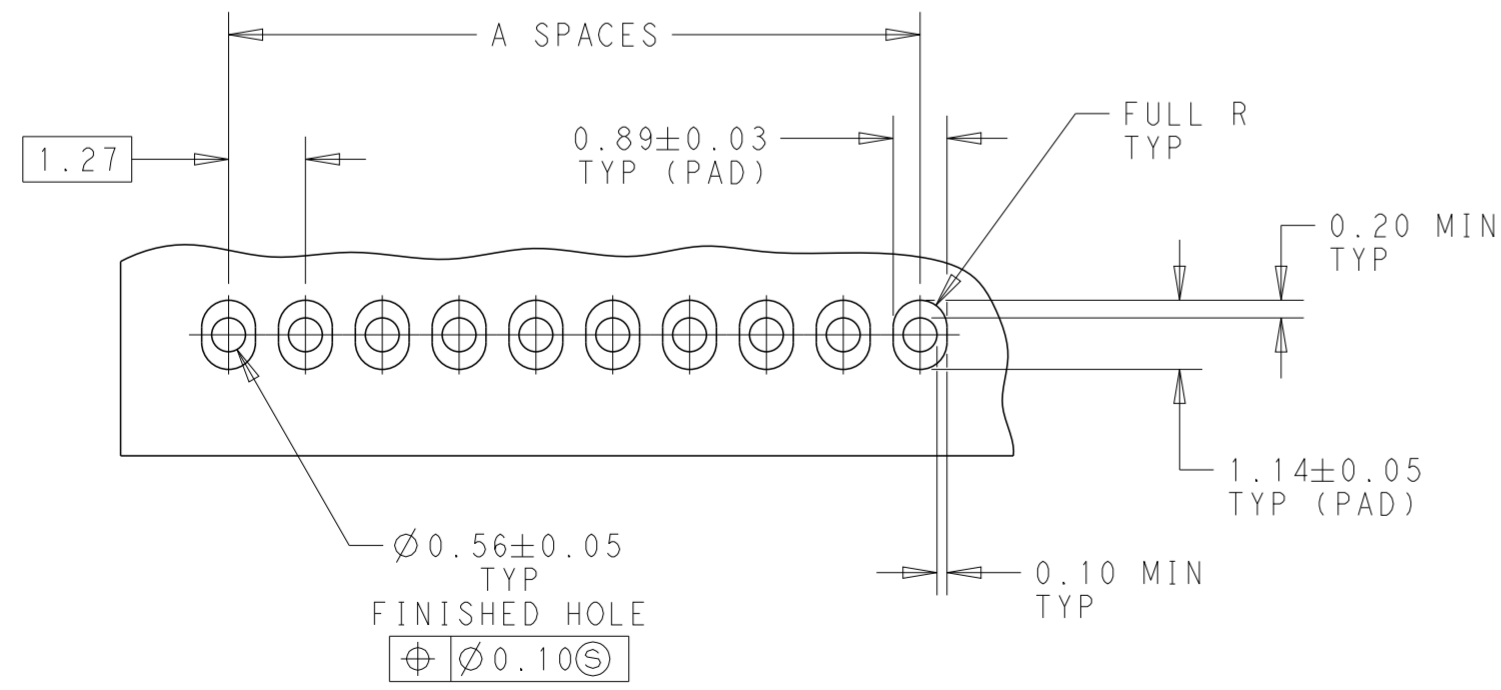
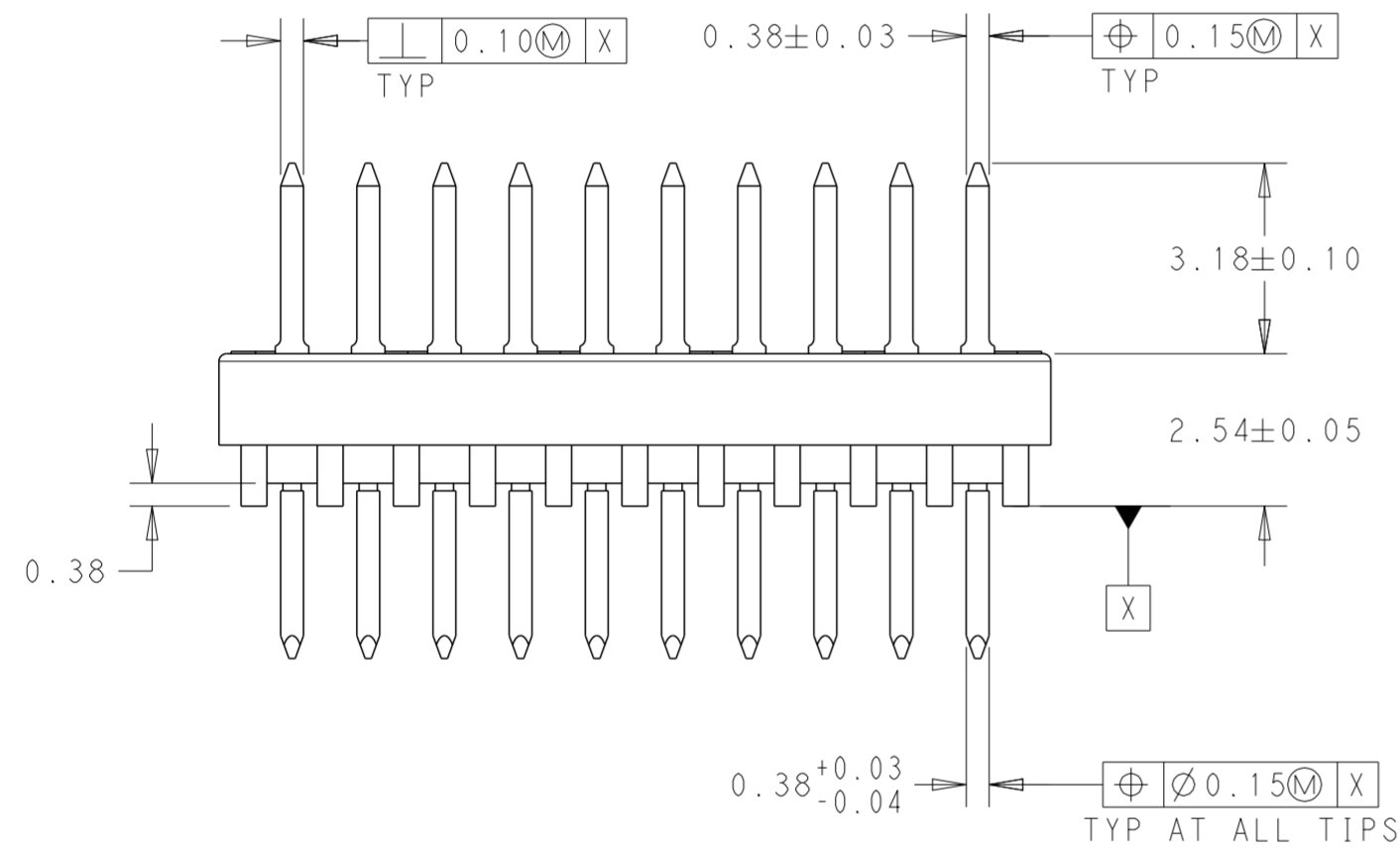


THIS DRAWING IS UNPUBLISHED. RELEASED FOR PUBLICATION 20
 © COPYRIGHT 20 BY - ALL RIGHTS RESERVED.

REVISIONS				
P	LTR	DESCRIPTION	DATE	APVD
	M2	REDRAWN/REVISED PER ECO-17-001756	07DEC2017	KS JO



- 1 CONTACT AREAS PLATED WITH 0.76µm GOLD; SOLDER TAILS PLATED WITH 3.81µm MIN TIN-LEAD; ALL OVER 1.27µm MIN NICKEL.
- 2. NOTE DELETED.
- 3 THE NOTED DIMENSIONS APPLY AT THE INTERSECTION OF THE POST AND HOUSING.
- 4. NOTE DELETED.
- 5 CONTACT AREAS PLATED WITH 0.76µm GOLD; SOLDER TAILS PLATED WITH 3.81µm MIN TIN; ALL OVER 1.27µm MIN NICKEL.
- 6 FINISH: 0.03µm MIN GOLD ON GOLD PLATED AREA, 3.81µm MATTE TIN-LEAD ON TIN PLATED AREA. UNDER PLATING SHOULD BE 1.27µm NICKEL ON ENTIRE CONTACT. GOLD AND TIN PLATING MAY NOT OVERLAP.
- 7 FINISH: 0.03µm MIN GOLD ON GOLD PLATED AREA, 3.81µm MATTE TIN ON TIN PLATED AREA. UNDER PLATING SHOULD BE 1.27µm NICKEL ON ENTIRE CONTACT. GOLD AND TIN PLATING MAY NOT OVERLAP.
- 8. NOTE DELETED.
- 9. NOTE DELETED.
- 10. NOTE DELETED.
- 11 MATERIAL: HOUSING-LCP, COLOR-BLACK CONTACT-COPPER ALLOY



THIS DRAWING IS A CONTROLLED DOCUMENT.		DWN K. SHRISHALL 07DEC2017	TE Connectivity	
DIMENSIONS: mm		CHK J. OLSON 07DEC2017		
TOLERANCES UNLESS OTHERWISE SPECIFIED:		APVD J. OLSON 07DEC2017	NAME HEADER ASSEMBLY, VERTICAL, UNSHROUDED, SINGLE ROW, AMPMODU System 50	
0 PLC ±		PRODUCT SPEC 108-1093	APPLICATION SPEC	
1 PLC ±0.3		114-25031	RESTRICTED TO	
2 PLC ±0.13		WEIGHT	SIZE CAGE CODE DRAWING NO	
3 PLC ±		CUSTOMER DRAWING	A200779 C-104178	
4 PLC ±		SCALE 8:1	SHEET 1 OF 2	
ANGLES ±0.5°		REV N		
FINISH SEE TABLE				

THIS DRAWING IS UNPUBLISHED. RELEASED FOR PUBLICATION 20
 © COPYRIGHT 20 BY - ALL RIGHTS RESERVED.

REVISIONS				
P	LTR	DESCRIPTION	DATE	APVD
-	-	SEE SHEET 1	-	-

7	33.40	25	26	9-104178-0
	63.88	49	50	8-104178-9
	57.53	44	45	8-104178-8
	51.18	39	40	8-104178-7
	44.83	34	35	8-104178-6
	38.48	29	30	8-104178-5
	34.67	26	27	8-104178-4
	32.13	24	25	8-104178-3
	28.32	21	22	8-104178-2
	25.78	19	20	8-104178-1
	21.97	16	17	8-104178-0
	19.43	14	15	7-104178-9
	16.89	12	13	7-104178-8
	15.62	11	12	7-104178-7
	13.08	9	10	7-104178-6
	10.54	7	8	7-104178-5
	9.27	6	7	7-104178-4
8.00	5	6	7-104178-3	
6.73	4	5	7-104178-2	
5.46	3	4	7-104178-1	
5	33.40	25	26	7-104178-0
	63.88	49	50	6-104178-9
	57.53	44	45	6-104178-8
	51.18	39	40	6-104178-7
	44.83	34	35	6-104178-6
	38.48	29	30	6-104178-5
	34.67	26	27	6-104178-4
	32.13	24	25	6-104178-3
	28.32	21	22	6-104178-2
	25.78	19	20	6-104178-1
	21.97	16	17	6-104178-0
	19.43	14	15	5-104178-9
	16.89	12	13	5-104178-8
	15.62	11	12	5-104178-7
	13.08	9	10	5-104178-6
	10.54	7	8	5-104178-5
	9.27	6	7	5-104178-4
8.00	5	6	5-104178-3	
6.73	4	5	5-104178-2	
5.46	3	4	5-104178-1	
FINISH	DIM_B	A SPACES	NO OF POSN	PART NUMBER

6	33.40	25	26	4-104178-0
	63.88	49	50	3-104178-9
	57.53	44	45	3-104178-8
	51.18	39	40	3-104178-7
	44.83	34	35	3-104178-6
	38.48	29	30	3-104178-5
	34.67	26	27	3-104178-4
	32.13	24	25	3-104178-3
	28.32	21	22	3-104178-2
	25.78	19	20	3-104178-1
	21.97	16	17	3-104178-0
	19.43	14	15	2-104178-9
	16.89	12	13	2-104178-8
	15.62	11	12	2-104178-7
	13.08	9	10	2-104178-6
	10.54	7	8	2-104178-5
	9.27	6	7	2-104178-4
8.00	5	6	2-104178-3	
6.73	4	5	2-104178-2	
5.46	3	4	2-104178-1	
1	33.40	25	26	2-104178-0
	63.88	49	50	1-104178-9
	57.53	44	45	1-104178-8
	51.18	39	40	1-104178-7
	44.83	34	35	1-104178-6
	38.48	29	30	1-104178-5
	34.67	26	27	1-104178-4
	32.13	24	25	1-104178-3
	28.32	21	22	1-104178-2
	25.78	19	20	1-104178-1
	21.97	16	17	1-104178-0
	19.43	14	15	104178-9
	16.89	12	13	104178-8
	15.62	11	12	104178-7
	13.08	9	10	104178-6
	10.54	7	8	104178-5
	9.27	6	7	104178-4
8.00	5	6	104178-3	
6.73	4	5	104178-2	
5.46	3	4	104178-1	
FINISH	DIM_B	A SPACES	NO OF POSN	PART NUMBER

THIS DRAWING IS A CONTROLLED DOCUMENT.		DWN K. SHRISHALL 07DEC2017	STE TE Connectivity
DIMENSIONS: mm		CHK J. OLSON 07DEC2017	
TOLERANCES UNLESS OTHERWISE SPECIFIED: 0 PLC ± 1 PLC ±0.3 2 PLC ±0.13 3 PLC ± 4 PLC ± ANGLES ±0.5°		APVD J. OLSON 07DEC2017	NAME HEADER ASSEMBLY, VERTICAL, UNSHROUDED, SINGLE ROW, AMPMODU System 50
MATERIAL SEE TABLE		PRODUCT SPEC 108-1093	SIZE 114-25031
		APPLICATION SPEC 114-25031	RESTRICTED TO -
		WEIGHT -	SCALE 8:1
		CUSTOMER DRAWING	SHEET 2 OF 2
			REV N