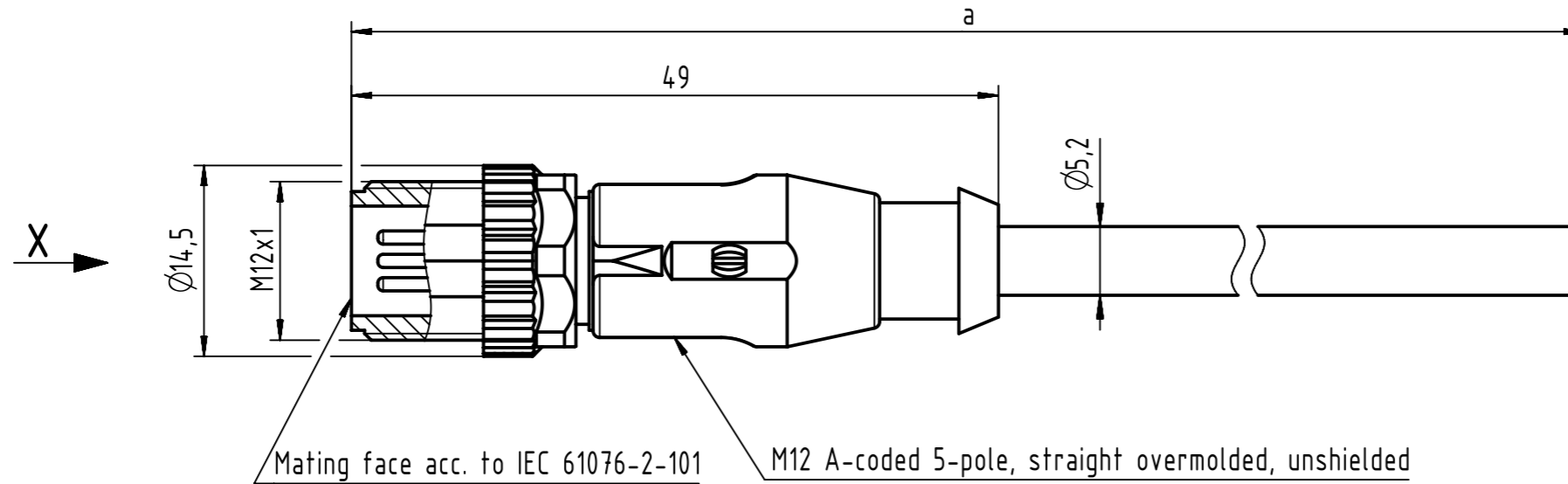
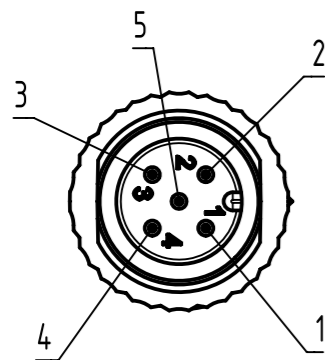


Connector Location A

Connector Location B



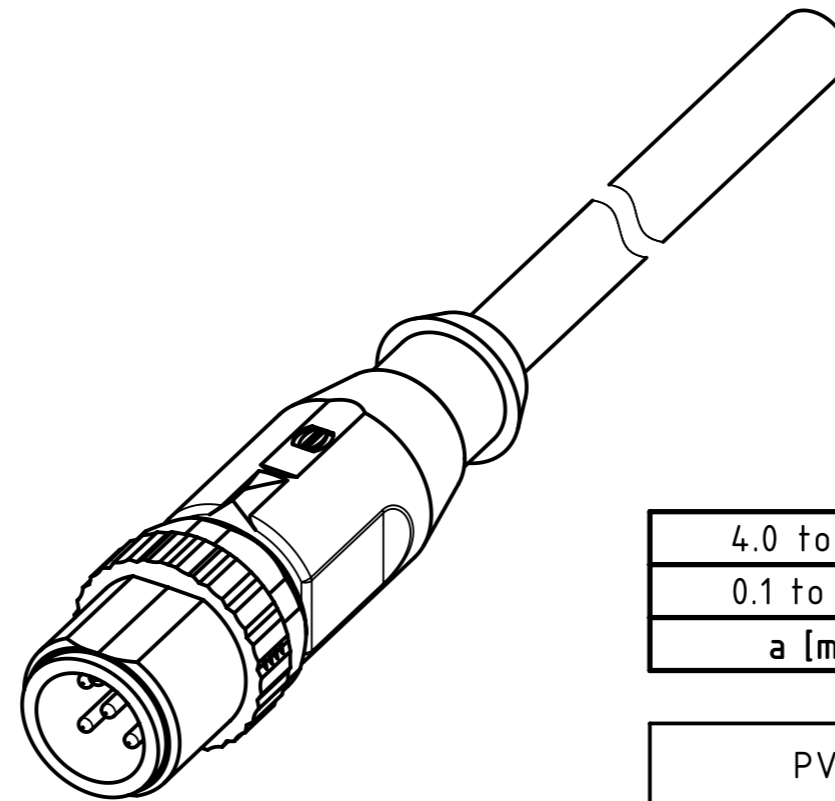
X  
male



Loading-Plan:

- 1 brown
- 2 white
- 3 blue
- 4 black
- 5 green-yellow

- Protection level: IP67
- Temperature range: -25°C ... +80°C



length in "1m" step	40	XXX=40
	39	XXX=39
	.	.
length in "0.1m" step	12	XXX=120
	11	XXX=110
	10	XXX=100
	9.9	XXX=099
	9.8	XXX=098
	.	.
	.	.
Step	a [m]	XXX

4.0 to 40	±1%
0.1 to 3.9	+0.04
a [m]	Tolerance

PVC grey, 5x0.34mm <sup>2</sup>	21348400585XXX
Type of cable	Part no.

	All rights reserved		Created by COSTEA Costea		Inspected by STOCHECIC Stocheci		Standardisation MUNTEANV Muntean		Date 2018-12-17		State Final Release	
	Department HCS - RO		Title M12 Cable Assembly A-cod st/- m/-		Doc-Key / ECM-Nr. 100578838/UGD/009/C 500000144899		Rev. C		Page 1/1			
HARTING Customised Solutions D-32339 Espelkamp		Type TB		Number 21348400585XXX								