

MATERIALS & SPECIFICATIONS

PART NO.	A28400-015	REV	ECO	DATE	APP
		J	102438	03-16-16	TLM

HOUSING:  
ALUMINUM 6061-T6, NICKEL PLATE PER  
SAE-AMS-2404

INSULATOR:  
LIQUID CRYSTAL POLYMER (LCP) PER  
ASTM D5138

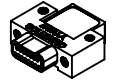
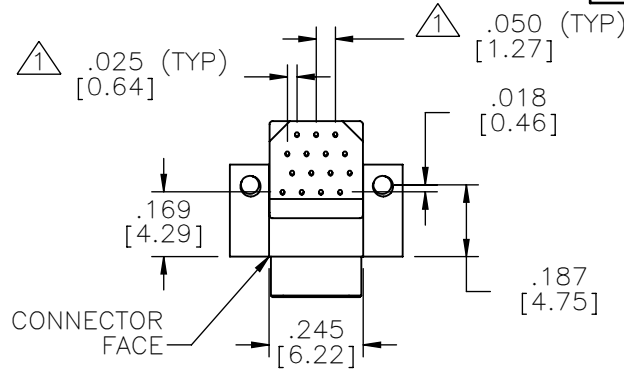
CONTACT:  
BERYLLIUM COPPER PER ASTM B194,  
C17200, GOLD PLATED PER ASTM B488,  
(HARD GOLD) TYPE II CODE C, CLASS  
1.27

TERMINATION:  
SOLDER COATED WITH SN63A PER  
J-STD-006 OR AMS-P-81728

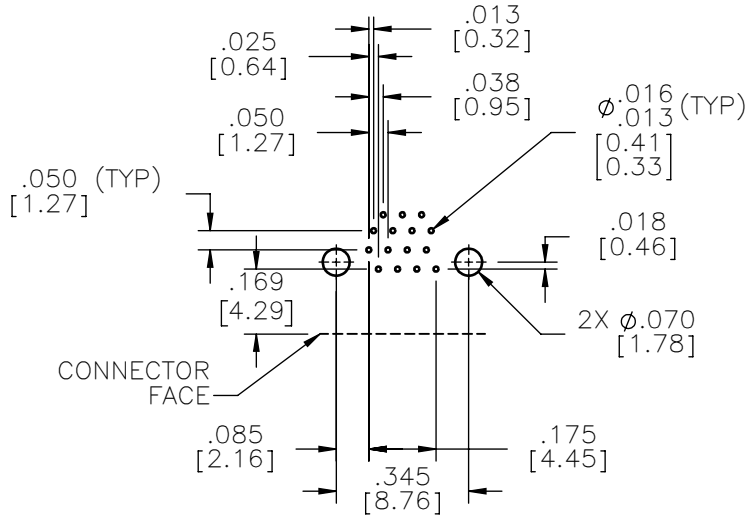
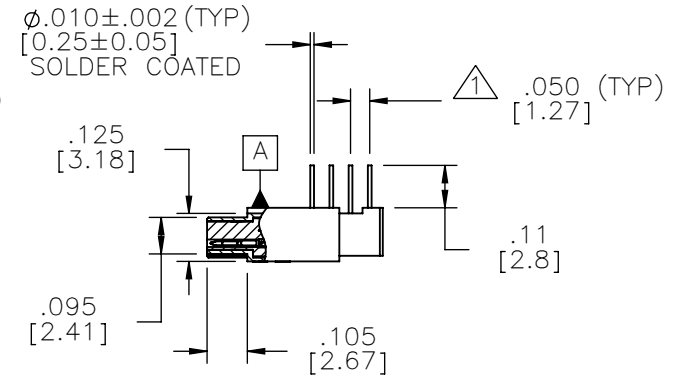
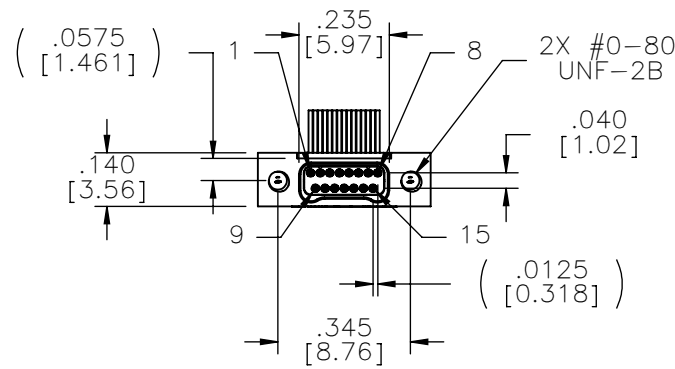
CURRENT RATING:  
1 AMP MAX PER MIL-DTL-32139

CONTACT RESISTANCE:  
71 MILLIOHM MAX (71mV DROP MAX) @  
1.0 AMPS PER MIL-DTL-32139

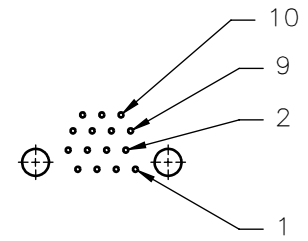
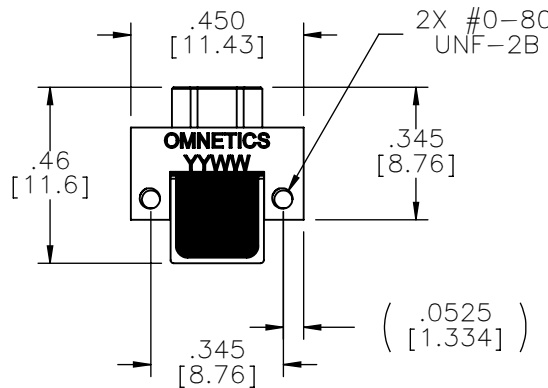
PERFORMANCE:  
PRODUCT FAMILY TESTED TO AND PASSED  
THE PERFORMANCE SPECIFICATIONS OF  
TABLE VIII OF MIL-DTL-32139



ACTUAL SIZE



SUGGESTED HOLE PATTERN



SUGGESTED HOLE PATTERN  
PIN OUT

△ TAIL DIMENSIONS APPLY AT PLANE A

NOTE:

DIMENSIONS IN [ ] ARE IN  
MILLIMETERS UNLESS  
OTHERWISE NOTED AND ARE  
FOR REFERENCE ONLY

MFG	THIRD ANGLE
	- TOLERANCES -
MFG	UNLESS OTHERWISE NOTED
	DIMENSIONS IN INCHES
MFG	2 PL DEC ± .01
	3 PL DEC ± .005
	4 PL DEC ± .0005
	ANGLES ± 1°

THIS DRAWING CONTAINS CONFIDENTIAL AND PROPRIETARY INFORMATION WHICH IS THE PROPERTY OF  
OMNETICS CONNECTOR CORP. THIS DOCUMENT MAY NOT, IN WHOLE OR IN PART, BE DUPLICATED, OR  
DISCLOSED FOR ANY PURPOSE, WITHOUT WRITTEN PERMISSION FROM OMNETICS CONNECTOR CORP.

DFTM. TLM	DATE	TITLE:
05-01-06	05-01-06	(15) PIN MALE
CHK'D.	DATE	Bi-Lobe® CONNECTOR
APP'D.	DATE	

**OMNETICS**  
CONNECTOR CORPORATION  
7260 COMMERCE CIRCLE EAST  
MINNEAPOLIS, MN 55432  
WWW.OMNETICS.COM

CAGE CODE	61873
DWG NO.	A28400-015
SHEET 1 OF 1	REV J
SCALE:	2:1