

4

3

2

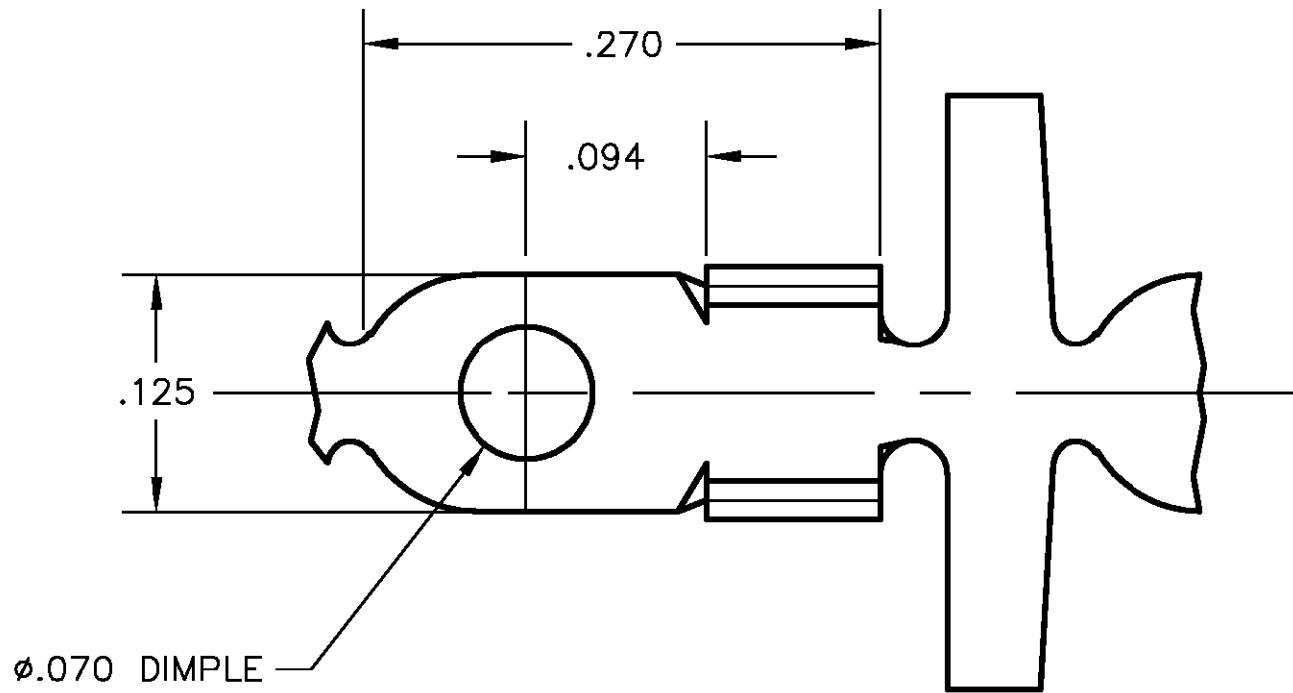
1

THIS DRAWING IS UNPUBLISHED.

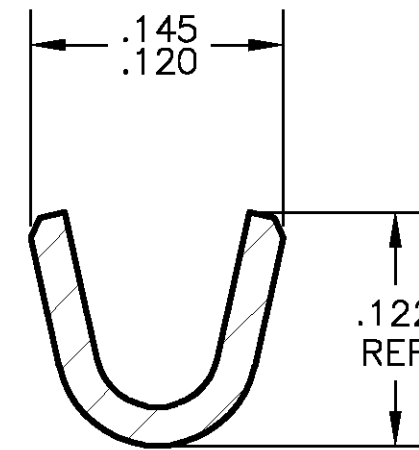
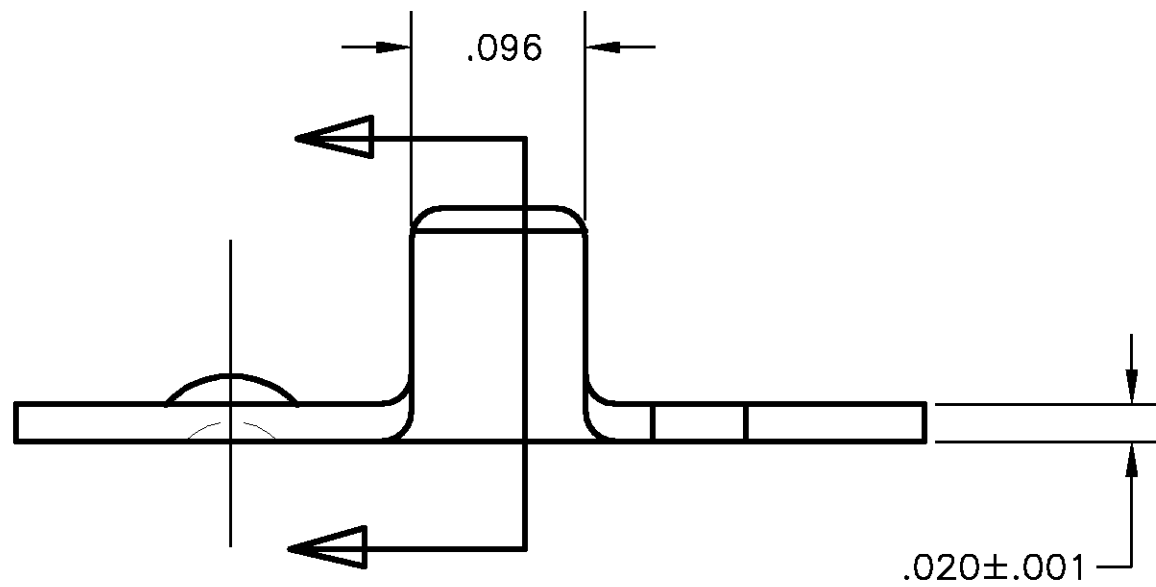
RELEASED FOR PUBLICATION

© COPYRIGHT BY TYCO ELECTRONICS CORPORATION. ALL RIGHTS RESERVED.

LOC	DIST	REVISIONS				
P	LTR	DESCRIPTION	DATE	DWN	APVD	
AF	50	F	REDRAWN PER 0G3A-0266-01	05APR01	JR	GP



- 1 CONTINUOUS STRIP ON REELS
- 2 WIRE SIZE IS #20-#16 AWG.
- △ .000080 MIN THK TIN PLATE



OBSOLETE	PRE NICKEL	62153-2
	TIN △	62153-1
	FINISH	PART NO.

THIS DRAWING IS A CONTROLLED DOCUMENT.		DWN JR RUTH 05APR01	Tyco Electronics Corporation Harrisburg, PA. 17057	
DIMENSIONS: INCHES		CHK MS FEHER 05APR01	NAME TAB, WELD	
TOLERANCES UNLESS OTHERWISE SPECIFIED:		APVD G PORTA 05APR01	PRODUCT SPEC -	
MATERIAL T3 STEEL		FINISH SEE TABLE	APPLICATION SPEC -	RESTRICTED TO -
WEIGHT -		SIZE A3	CAGE CODE 00779	DRAWING NO C-62153
CUSTOMER DRAWING		SCALE 10:1	SHEET 1 OF 1	REV F