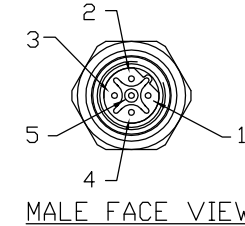
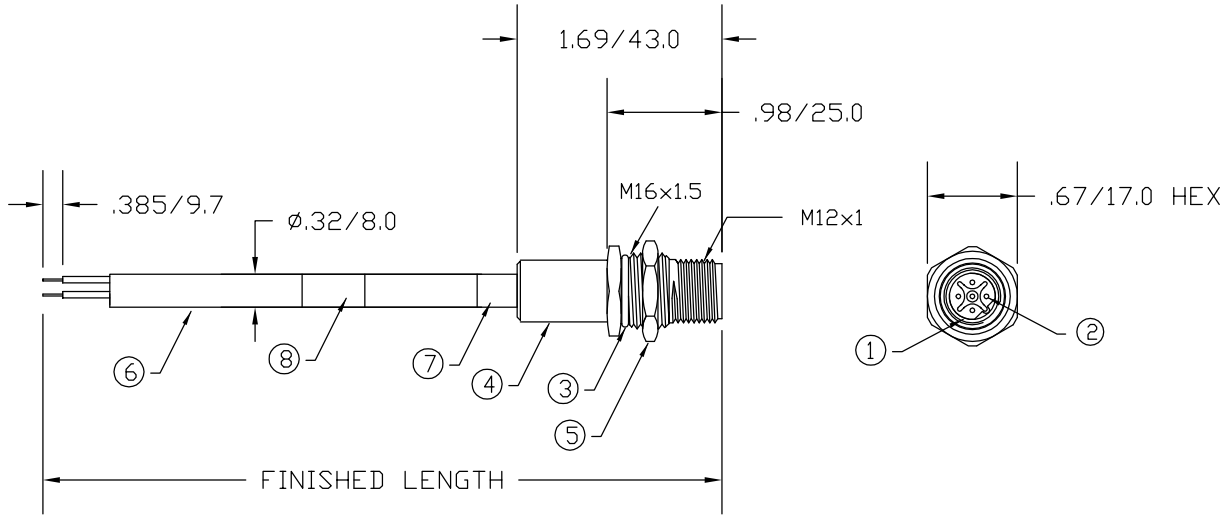
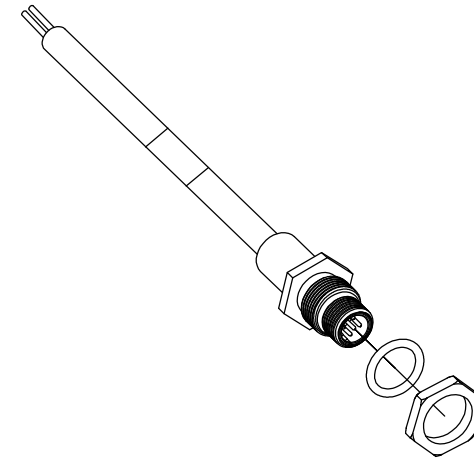


MATERIAL NUMBER	OLD PART NUMBER	FINISHED LENGTH
120099-0013	BR5U76PP4M0103	3.28' +2.19" -0 [1.0M +55.6 -0]
120099-0015	BR5U76PP4M0203	6.56' +3.50" -0 [2.0M +88.9 -0]
120099-8001	BR5U76PP4M0303	9.84' +3.50" -0 [3.0M +88.9 -0]
120099-0016	BR5U76PP4M0403	13.12' +6.50" -0 [4.0M +165.1 -0]
120099-0019	BR5U76PP4M0503	16.40' +6.50" -0 [5.0M +165.1 -0]



WIRING DIAGRAM
1 NOT CONNECTED
2 GREEN (LINE A)
3 NOT CONNECTED
4 RED (LINE B)
5 DRAIN WIRE

WIRING DIAGRAM

ITEM	COMPONENT	MATERIAL	FINISH
1	INSERT	NYLON	BLACK
2	CONTACT PIN	COPPER ALLOY	GOLD OVER NICKEL
3	O-RING	NITRILE	BLACK
4	RECEPTACLE SHELL	BRASS	NICKEL PLATED
5	LOCKNUT	BRASS	NICKEL PLATED
6	CONDUCTOR- 24 AWG, (.22mm) COPPER STRANDING TWISTED PAIR SHIELD WITH BRAID	PUR	PURPLE
7	HEAT SHRINK TUBING	POLYOLEFIN	BLACK
8	LABEL	MYLAR	BLACK/YELLOW

VOLTAGE RATING	250 VAC/VDC
AMPERAGE RATING	4 AMPS
PROTECTION	IP67
OPERATING TEMPERATURE	-20°C TO 80°C

RLSD DRAWING EC NO: WNA209-0631 DRWN: BWOODMAN CHKD: JM APPR: JFMURPHY 2009/04/01 3/26/09	QUALITY SYMBOLS ▽=0 ∇=0	GENERAL TOLERANCES (UNLESS SPECIFIED)		DIMENSION STYLE IN/MM		SCALE	DESIGN UNITS	THIRD ANGLE PROJECTION	
			mm	INCH	DRAWN BY	DATE	TITLE		
		4 PLACES	±----	±---	BW	2009/03/27	MICRO-CHANGE RECEPTACLE 5P MALE PROFIBUS M16 MOUNTING THREADS		
		3 PLACES	±----	±---	CHECKED BY	DATE		MOLEX INCORPORATED	
2 PLACES	±----	±.01	TW	2009/03/27					
1 PLACE	±0.3	±---	APPROVED BY	DATE					
ANGULAR ±--°				MATERIAL NO.		DOCUMENT NO.		SHEET NO.	
DRAFT WHERE APPLICABLE MUST REMAIN WITHIN DIMENSIONS				SEE CHART		SD-120099-001		1 OF 1	
A				SIZE A		THIS DRAWING CONTAINS INFORMATION THAT IS PROPRIETARY TO MOLEX INCORPORATED AND SHOULD NOT BE USED WITHOUT WRITTEN PERMISSION			

6

5

4

3

2

1

6

5

4

3

2

1