



Sil8788 Analog Front-end Video Processor with Parallel Video Output

Data Sheet

Sil-DS-1123-A

March 2016

Contents

1.	General Description	5
1.1.	Features	5
1.1.1.	Analog (Video) Front-end.....	5
1.1.2.	Multi-format Video Decoder.....	5
1.1.3.	Video Processing.....	5
1.1.4.	24-bit Parallel Output	5
1.2.	Applications	5
1.3.	Packaging	5
1.4.	Temperature Range	5
2.	Product Family.....	6
3.	Functional Description.....	7
3.1.	Analog Front-end.....	8
3.1.1.	Input Multiplexer	8
3.1.2.	Clamp and Offset	8
3.1.3.	Low Pass Filter.....	8
3.1.4.	ADC with Programmable Gain Amplifier.....	8
3.1.5.	Line Locked PLL	9
3.1.6.	Sync Slicer	9
3.1.7.	Video Buffer	9
3.2.	Video Decoder	9
3.2.1.	ADCIF.....	10
3.2.2.	Automatic Gain Control and Offset Calibration	10
3.2.3.	Antialias Filtering and Decimation	10
3.2.4.	Video Decoder	10
3.2.5.	CVBS Processing.....	10
3.2.6.	Component Processing	11
3.2.7.	Sync Processor	11
3.2.8.	VBI Decoder	11
3.3.	Video Processing.....	12
3.3.1.	Time Base Corrector	12
3.3.2.	VBI Post Processor	12
3.3.3.	De-interlacer and Edge Smoother.....	12
3.3.4.	Color Processing.....	12
3.3.5.	Auto Phase Detection	13
3.3.6.	Auto Position Calibration	13
3.3.7.	Auto Gain Calibration.....	13
3.4.	Video Path.....	13
3.4.1.	Video Data Conversion Logic Block.....	13
3.4.2.	Digital Parallel Video Output Interface	14
3.5.	Control Logic	15
3.5.1.	Internal Microcontroller	15
3.5.2.	Registers.....	17
3.5.3.	I ² C Bus	17
3.5.4.	Interrupt.....	18
3.5.5.	GPIOs.....	18
4.	Electrical Specifications	19
4.1.	Absolute Maximum Ratings	19
4.2.	Normal Operating Conditions	20
4.3.	ESD Specifications	20
4.4.	DC Specifications.....	21
4.5.	AC Specifications.....	22
4.6.	Control Signal Timing Specifications	23

5.	Timing Diagrams	24
5.1.	I ² C Bus Timing Diagrams	24
5.2.	Reset Timing Diagram	24
5.3.	Digital Video Output Timing Diagrams	25
6.	Pin Diagram and Pin Description	26
6.1.	Pin Diagram	26
6.2.	Pin Descriptions	27
6.2.1.	AFE Input/Output Pins	27
6.2.2.	Configuration and Control Pins	28
6.2.3.	Parallel Video Output Data Pins	29
6.2.4.	SPI Interface Pins	30
6.2.5.	Power and Ground Connections	30
6.2.6.	Crystal Pins	30
6.2.7.	Reserved Pins	31
6.2.8.	Output Pin Mappings	31
7.	Design Guidelines	37
7.1.	Power Supplies Decoupling	37
7.2.	ESD Protection	38
7.3.	EMI Considerations	38
7.4.	Typical Circuit Connection	38
8.	Packaging	39
8.1.	ePad Requirements	39
8.2.	Package Dimensions	40
9.	Marking Specification	41
9.1.	Ordering Information	41
	References	42
	Standards Documents	42
	Lattice Semiconductor Documents	42
	Revision History	43

Figures

Figure 1.1.	Typical Application of the SiI8788 Device	5
Figure 3.1.	Functional Block Diagram	7
Figure 3.2.	Clamp and Offset	8
Figure 3.3.	Sync Slicers	9
Figure 3.4.	CVBS Processing Diagram	10
Figure 3.5.	Component Processing Diagram	11
Figure 3.6.	Default Video Processing Path	13
Figure 3.7.	External Memory Structure	16
Figure 5.1.	I ² C Data Valid Delay (Driving Read Cycle Data)	24
Figure 5.2.	Conditions for Use of RESET_N	24
Figure 5.3.	RESET_N Minimum Timings	24
Figure 5.4.	Video Digital Output Transition Times	25
Figure 5.5.	Clock-to-Output Delay and Duty Cycle Limits	25
Figure 6.1.	Pin Diagram	26
Figure 7.1.	Decoupling and Bypass Schematic	37
Figure 7.2.	Decoupling and Bypass Capacitor Placement	37
Figure 7.3.	Typical Circuit Schematic	38
Figure 8.1.	88-Pin QFN Package Diagram	40
Figure 9.1.	Marking Diagram	41

Tables

Table 2.1. Product Selection Guide.....	6
Table 3.1. Supported Standards.....	12
Table 3.2. Typical Digital Video Output Formats	15
Table 3.3. Head Flags	16
Table 3.4. Info Bytes	16
Table 3.5. SPI Parameter.....	17
Table 3.6. Calibration Checksum	17
Table 3.7. HW Configuration Data	17
Table 3.8. 8051 Code Size	17
Table 3.9. HW Configuration Data and Code Checksum.....	17
Table 3.10. Control of Transmitter I ² C Address with CI2CA Signal	18
Table 3.11. GPIOs.....	18
Table 4.1. Absolute Maximum Ratings	19
Table 4.2. Normal Operating Conditions	20
Table 4.3. ESD Specifications	20
Table 4.4. Digital I/O Specifications	21
Table 4.5. Analog Front-end Electrical Specifications.....	22
Table 4.6. Parallel Video Output Timing Specifications	23
Table 4.7. Control Signal Timing Specifications	23
Table 6.1. AFE Input/Output Pins	27
Table 6.2. Configuration and Control Pins	28
Table 6.3. Parallel RGB Output Data Pins	29
Table 6.4. SPI Interface Pins.....	30
Table 6.5. Power and Ground Connections	30
Table 6.6. Crystal Pins	30
Table 6.7. Reserved Pins	31
Table 6.8. RGB/YCbCr 4:4:4 Separate Sync Data Mapping	31
Table 6.9. YCbCr 4:2:2 Separate Sync Data Mapping.....	32
Table 6.10. YCbCr 4:2:2 Embedded Sync Data Mapping.....	33
Table 6.11. YCbCr Mux 4:2:2 Separate Sync Data Mapping	34
Table 6.12. YCbCr Mux 4:2:2 Embedded Sync Data Mapping	35
Table 6.13. 12-bit RGB and YCbCr 4:4:4 Separate Sync Data Mapping	36

1. General Description

The Lattice Semiconductor SiI8788 processor is a high quality Analog Front-end (AFE) and multistandard composite or component Video Decoder (VDC). A microcontroller is integrated to reduce the system BOM cost.

The SiI8788 processor supports worldwide PAL, NTSC and SECAM standards, YP_bP_r video signals up to 1080p @ 60 Hz resolution.

The device contains a Time Base Correction (TBC) module, a de-interlacer with a post-processor engine and a VBI decoder.

1.1. Features

1.1.1. Analog (Video) Front-end

- Four 10-bit Analog-to-Digital Converters (ADC) sampling up to 170 MHz
- Flexible input multiplexers to support four composite and two component video inputs
- Support cable plug-in detection and active video signal detection

1.1.2. Multi-format Video Decoder

- Automatic format detection
- Supports NTSC, PAL, and SECAM standards of composite input with adaptive comb filter
- Supports 240p/288p, 480i/p, 576i/p, 720p, 1080i/p component video
- Supports Macrovision Type I, II, III copy protection detection
- Supports multistandard VBI decoding: WSS, VPS, CC, CGMS, and V-CHIP

1.1.3. Video Processing

- Time Base Correction
- De-interlacer with Edge Smoothing
- Automatic Phase/Position Detection

1.1.4. 24-bit Parallel Output

- Supports 24-bit RGB/YC_bC_r 4:4:4 and 12-bit RGB/YC_bC_r 4:4:4 Double Data Rate (DDR) modes
- Supports 24-bit YC_bC_r 4:2:2 and 12-bit YC_bC_r 4:2:2 DDR modes
- Supports 8/10/12-bit YC MUX 4:2:2 modes
- Supports embedded sync for YC_bC_r 4:2:2 and YC MUX 4:2:2 modes
- Supports embedded raw VBI data (CC, WSS)

1.2. Applications

The SiI8788 device is targeted at the home theatre and profession/commercial markets, specifically in A/V Receiver and Video Switcher / Processor applications

1.3. Packaging

- 88-pin QFN with exposed pad (ePad)
- 10 mm × 10 mm × 0.9 mm

1.4. Temperature Range

- 0 °C to +70 °C

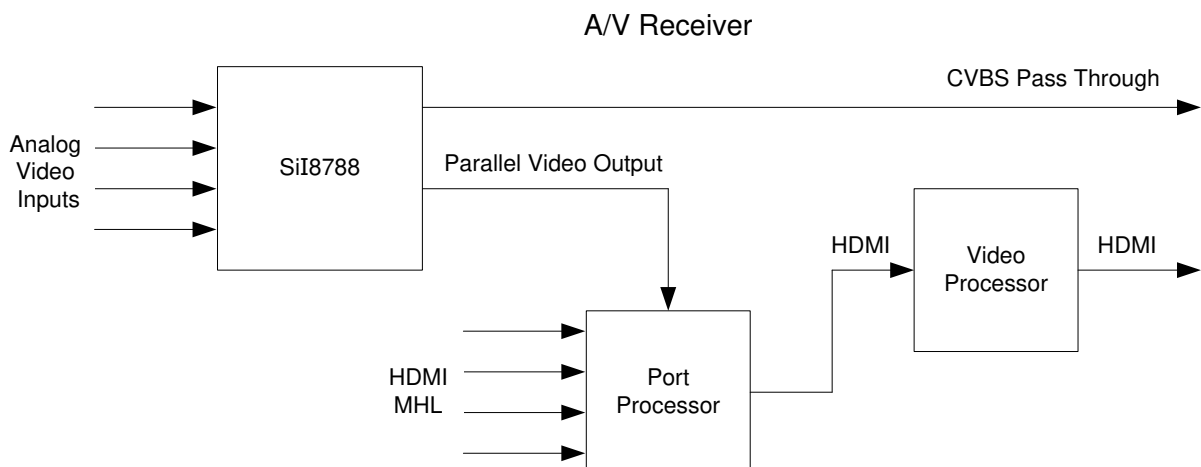


Figure 1.1. Typical Application of the SiI8788 Device

2. Product Family

A comparison of the features between the SiI8788 device and the SiI8784 device is shown in [Table 2.1](#).

Table 2.1. Product Selection Guide

Feature	SiI8784	SiI8788
Analog Video Input		
Component Ports	YES	YES
Composite Ports (CVBS)	YES	YES
D-connector Support	YES	NO
VGA Support	YES	NO
SCART (FB/FS) Support	YES	NO
Video Output		
Parallel Digital	NO	YES
CVBS	YES	YES
HDMI	YES	NO
MHL	YES	NO
Audio Input		
SPDIF Input	YES	NO
I ² S Input	YES	NO
Package		
Package Type	QFN	QFN
Pin Count	88	88

3. Functional Description

The Sii8788 device has a multiformat AFE with 4 ADC channels to support multiple analog video inputs. The Sii8788 device offers four CVBS video inputs, two component video inputs and one parallel video output. Figure 3.1 shows the block diagram of the input processor.

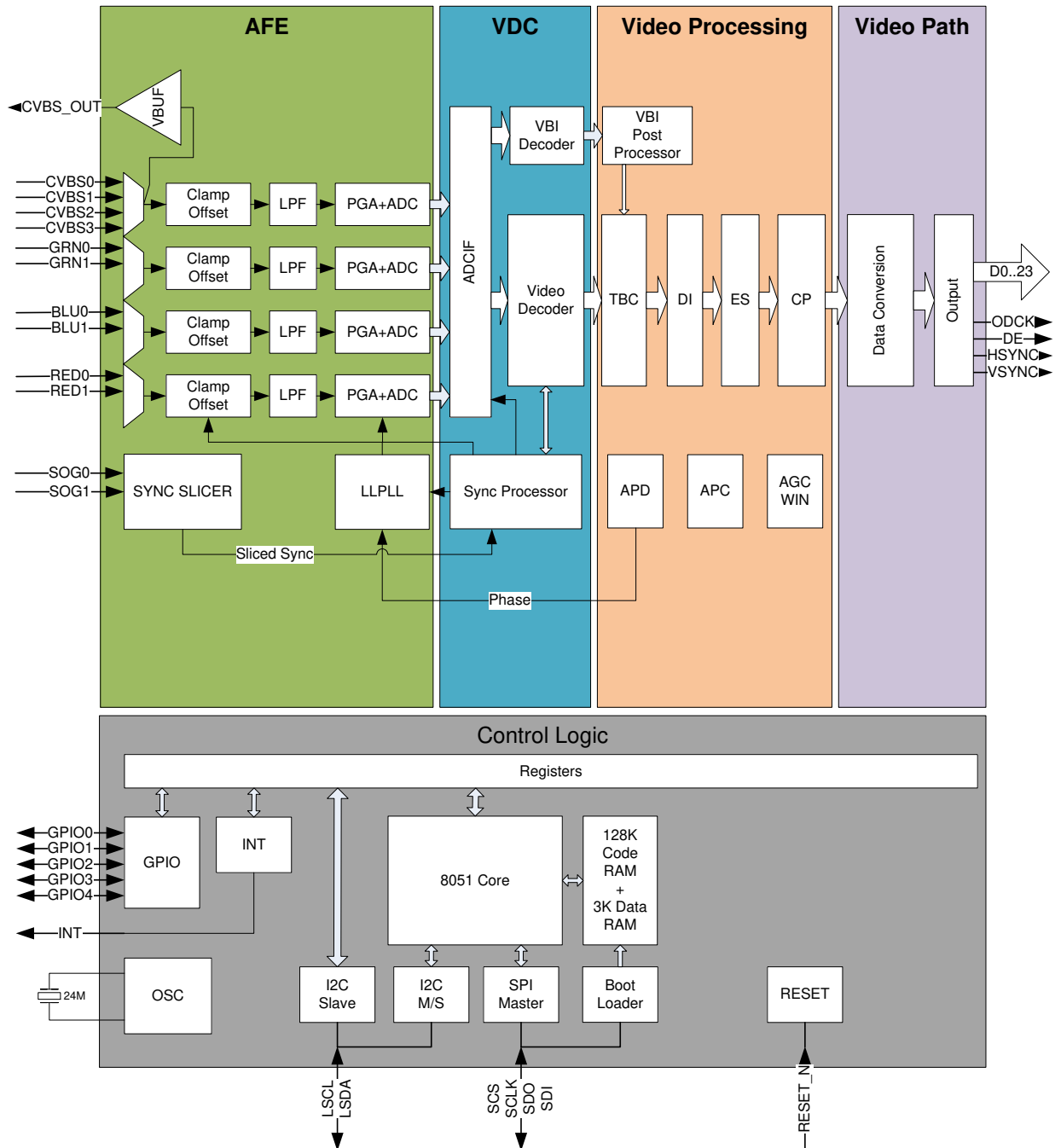


Figure 3.1. Functional Block Diagram

Each of the blocks is explained in detail in the following sections.

3.1. Analog Front-end

The Analog Front-end (AFE) provides four input channels for CVBS, R, G and B. Each channel includes an Input Multiplexer, a Clamp and Offset DAC, a Programmable Low Pass Filter, and a high quality 10-bit ADC with Programmable Gain Amplifier. In addition, there is a Line Locked PLL to generate sample clocks for ADCs and Sync Slicers to handle SOG signals.

3.1.1. Input Multiplexer

The SiI8788 device provides four CVBS inputs and two sets of components inputs.

3.1.2. Clamp and Offset

As most of the video signals, such as CVBS, are AC coupled, their DC component is lost during the transmission. A voltage type clamp circuit is positioned in front of each channel to restore the DC component.

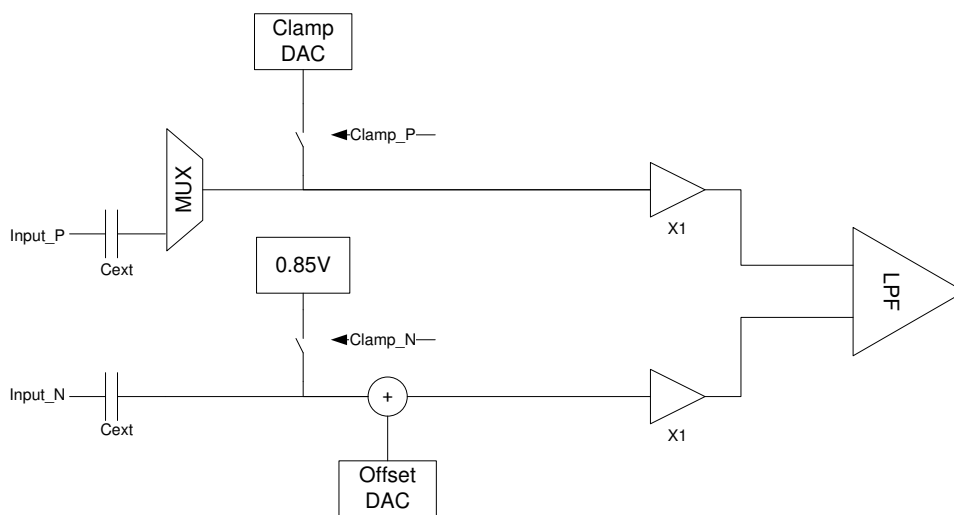


Figure 3.2. Clamp and Offset

The clamp DAC output voltage is 3-bit programmable from 0 V to 0.85 V, and the AFE provides more accurate 10-bit ± 0.5 V or ± 0.25 V output offset DAC to keep the input signal within the ADC input range. The offset level can be controlled automatically by ADCIF block of VDC or manually by software.

3.1.3. Low Pass Filter

The Low Pass Filter (LPF) is a first order analog filter to remove the out-of-band noise from video signal. Its -3 dB bandwidth can be set to 600 MHz (Bypass), 400 MHz, 200 MHz, 100 MHz, or 50 MHz by software. Combined together with ADC over-sampling technology and the high order digital AA (Antialias) filter inside VDC, the SiI8788 device can meet the demand of overall AA performance.

3.1.4. ADC with Programmable Gain Amplifier

The ADC samples the input video signal and converts each sample into 10 bits digital data. It supports sampling rates from 25 MSPS to 170 MSPS, and the sampling clock of CVBS channel can be independent with R, G, and B channels.

For the formats with lower pixel rate, oversampling is recommended. The SiI8788 device supports 2X, 4X and 8X oversampling.

The Programmable Gain Amplifier (PGA) in the front stage of ADC has a nominal gain range from -6 dB to $+6$ dB, so the Sii8788 device can adapt to a wide range of input video signal levels, especially, the CVBS signal from RF tuner. The PGA can be controlled either automatically by the gain control function of VDC or manually by software.

3.1.5. Line Locked PLL

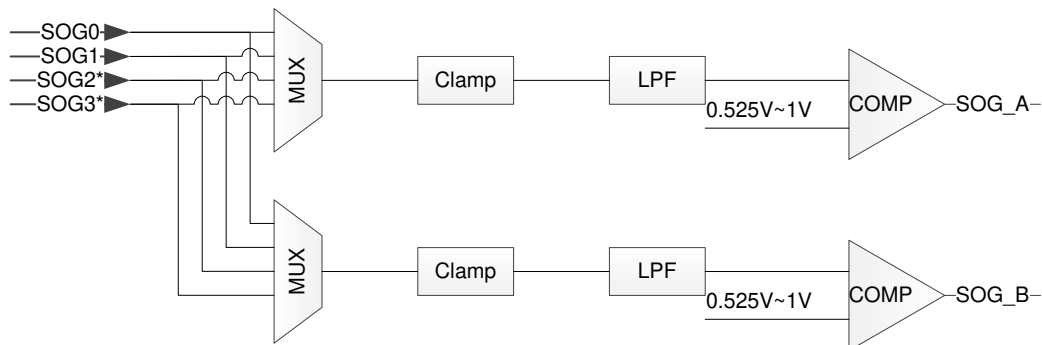
The Line Locked PLL (LLPLL) is designed to generate the ADC sampling clock (pixel clock or oversampled pixel clock). It can be synchronized with a slower reference HSync pulses or run at a fixed frequency. The allowable input HSync range is from 15 kHz to 150 kHz, and the output pixel clock range is from 25 MHz to 170 MHz.

The LLPLL contains an high performance programmable digital PLL (DPLL) and an analog PLL (APLL) which generates the high frequency reference clock needed by DPLL from the 24 MHz crystal frequency.

The relative phase between input sync pulse and output clock of the LLPLL can be adjusted in 32 steps by setting registers or automatically by Auto Phase Detection (APD) block of the video processing module.

3.1.6. Sync Slicer

The Sync Slicer converts SOG and HSYNC signals into core domain digital signals. As shown in Figure 3.3, there are two sets of SOG slicers, each of which contains an input multiplexer, bottom level (0.5 V) clamp, low pass filter and comparator. The bandwidth of the low pass filter and the comparator threshold is programmable. There also are two sets of HS slicers for TTL level syncs. When one of the slicers is configured as an active input, the other in this pair can be used to detect the activity of other inputs. This feature is helpful to implement active channel detection and auto-switch function.



*: Not available on this device

Figure 3.3. Sync Slicers

3.1.7. Video Buffer

The Video Buffer (VBUF) buffers and outputs the selected CVBS input signal. VBUF includes two major subblocks: clamp and voltage-to-current conversion. Voltage-to-current conversion subblock converts input signal to the output current which is proportional to signal voltage level. A $75\ \Omega$ source termination resistor should be connected to its output pin CVBS_OUT and signal ground.

3.2. Video Decoder

The Sii8788 device provides a multiformat video decoder. Video Decoder (VDC) includes ADCIF, Sync Processor, adaptive 2D Comb decoder, and VBI Decoder as shown in Figure 3.1 on page 7.

3.2.1. ADCIF

The ADCIF logic block contains the Automatic Gain Control and Offset Calibration, Antialias filtering and decimation subblocks. It also generates clamp pulses for clamp circuits at the proper time so that the ADC is able to digitize the input analog within the proper range. The main indicator used to determine where the clamping position should be is the horizontal synchronization pulse coming from the Sync Processor block. Since this filtered HSync pulse may not always be correct, several layers of logic have been developed to ensure the clamping is not done at an incorrect position.

3.2.2. Automatic Gain Control and Offset Calibration

Parameters such as Sync Amplitude, Back Porch Levels are measured based on the HSync position, register controls, and logic executed in the Offset Gain Calculations sub block. These measured values are then used in determining the offset and gain adjustments. To ensure the stability and accuracy of the digitized video signal, several control loops are built in the ADCIF block. These loops include Clamp, Coast, Gain, and Offset. The Clamp and Coast pulses, Gain and Offset parameters are generated by the ADCIF logic and directly connected to the AFE.

3.2.3. Antialias Filtering and Decimation

The Antialiasing (AA) filters remove high frequency noise from the raw digitized signals produced by the front-end video ADCs, and decimate the over-sampled video signal.

The AA filter has flexibility in the frequency response, sharp transition bandwidth, and good stop band attenuation. The AA filter allows the software to change the bandwidth of the filters as the signal condition changes.

3.2.4. Video Decoder

The Video Decoder detects and decodes the input video stream from ADCIF. An adaptive comb filter is included to decode CVBS signals. The Video Decoder also supports component signals.

3.2.5. CVBS Processing

CVBS Processing involves Standard Detection, 2D Video Decoder, and Sync Processor, as shown in Figure 3.4 below.

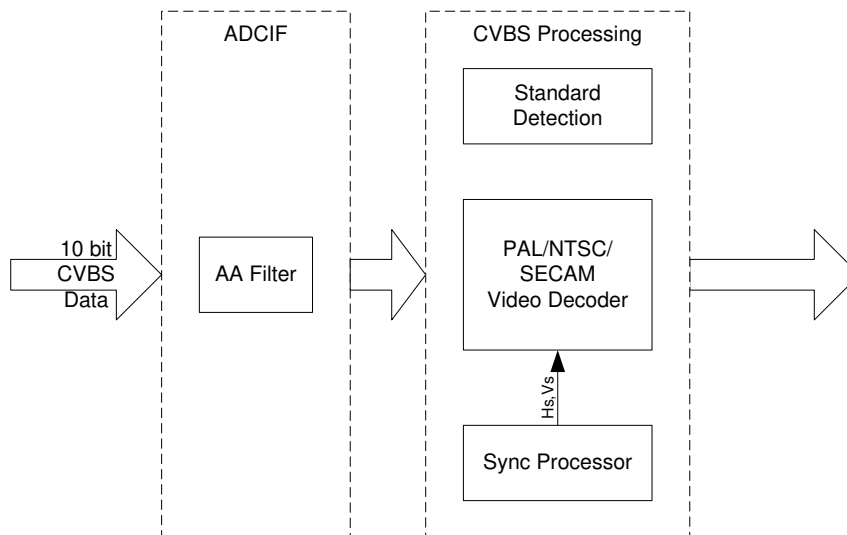


Figure 3.4. CVBS Processing Diagram

The SiI8788 device automatically detects NTSC (M/J/4.43), PAL (B/D/I/G/H/60/M/N/Nc), and SECAM (B/D/G/L/K) standards, and decodes them properly.

An adaptive 2D comb filter is used in the video decoder. The 2D comb filter has three output options, only horizontal filter, only vertical filter and blending of horizontal and vertical filter. When current sample is on a horizontal transition

edge, the vertical filter is selected. When current sample is on a vertical transition edge, the horizontal filter is selected. When it is not one of the above two phenomenon, the blending output is selected.

When the input signal is lost, the SiI8788 device supports a free-running mode to provide a stable output.

3.2.6. Component Processing

Component Processing processes Component Video inputs. The SiI8788 device supports 240p/288p, 480i/576i, 480p/576p, 720p, 1080i and 1080p for standard and high definition resolutions. Figure 3.5 shows the block diagram of the component video processing block.

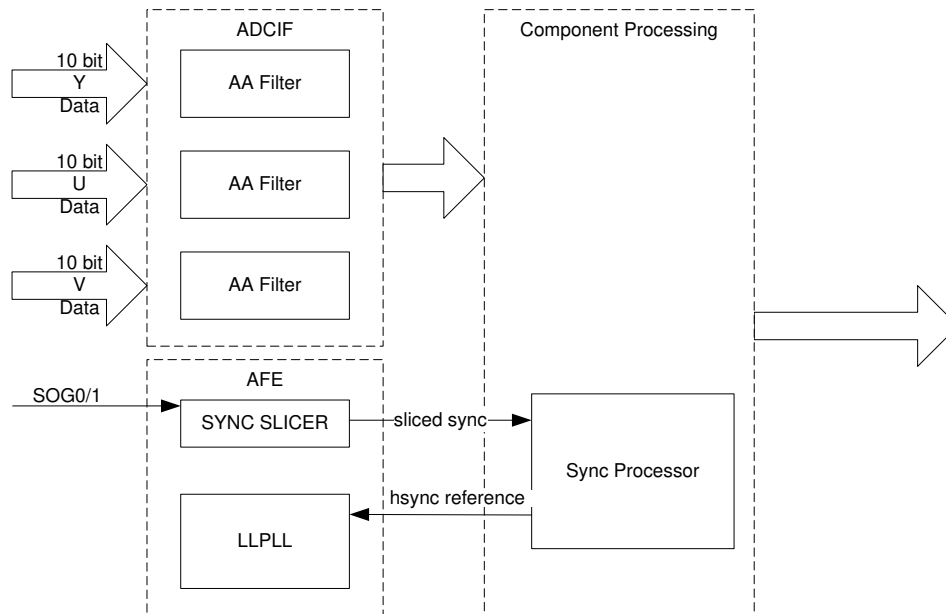


Figure 3.5. Component Processing Diagram

3.2.7. Sync Processor

The Sync Processor block contains sophisticated digital circuitry that analyzes and extracts synchronization pulses from the incoming video stream. It generates filtered vertical and horizontal sync pulses. The Sync Processor includes Sync separation, format detection and Sync stabilization.

- Sync Separation

The Sync Separation separates the HSync and VSync from the composite sync sliced from video decoder or SOG slicer.

- Format Detection

The format detection detects vertical period and horizontal period and total line number per field.

- Sync Stabilization

Sync Stabilization does de-glitch, removes serration and equalizes pulses from the sync signal. It also detects Macrovision protection status.

3.2.8. VBI Decoder

The VBI Processing block slices and processes digitized VBI data from the video. Following are some of the features of the VBI block:

- 108 MHz operating with programmable down sampling
- Supports PAL standards
- Supports NTSC standards

Table 3.1 shows the supported VBI standards.

Table 3.1. Supported Standards

VBI Standard	Video Standard	Data Rate	Scan Lines	Data per Line	Encoding	Description
WSS 625	PAL SECAM	5 MHz	23 336	14 Bits	Phase Encoding. Each bit is transmitted using 6 bits of encoded data.	Wide Screen Signaling. Used for aspect ratio settings.
VPS	PAL SECAM	5 MHz	16	13 Bytes	Biphase Encoding. Each bit is effectively represented by 2 bits.	Video Programming System. Used in Germany for program/broadcast info.
CC	NTSC	0.5030 MHz	21	2 Bytes	Parity.	Closed Captioning for the hearing impaired.
XDS VChip	NTSC	0.5035 MHz	284	2 Bytes	Parity.	Extended Data Service. Used for MISC. NTSC services
WSS 525 ID-1 CGMS	NTSC	0.4474 MHz	20	14 Bits	CRC.	Copy Guard Management System. Used for copy protection and aspect ratio.

3.3. Video Processing

The Video Processing block performs some necessary processes to the decoded video streams before they are outputted. There are also some measurement blocks inside this block to implement automatic Phase/Position/Gain adjustment functions.

3.3.1. Time Base Corrector

The Time Base Corrector (TBC) is designed to provide stable clock and video data for parallel video output. It uses a line buffer based architecture in-lieu of a frame buffer to save cost and power. To keep the video output clock jitter in a safe range, the TBC output field frequency is limited to 50 Hz \pm 0.5% or 59.94 Hz/60 Hz \pm 0.5% as default. If the field frequency of input video is beyond this range, the display will be scrolling.

Composite video formats are supported by the TBC. 480i/576i component formats can be supported by the TBC if needed.

3.3.2. VBI Post Processor

VBI Post Processor is used to transmit raw VBI data over TTL output.

3.3.3. De-interlacer and Edge Smoother

De-interlacing is designed to convert interlaced (480i/576i) video to progressive (480p/576p) video. BOB de-interlace method is adopted to reduce cost and power consumption. An edge smoother is included to reduce the saw tooth artifacts generated by de-interlacing and improve the picture quality.

3.3.4. Color Processing

Color Processing (CP) enables brightness, contrast, saturation and hue controls for end users. It supports YCbCr color space only.

3.3.5. Auto Phase Detection

Auto Phase Detection (APD) is a module used to search for the phases that can generate the best display quality. The desired phases, in general, can generate sharp and stable images, if the input image meets certain criteria during phase detection period. APD is an automatic algorithm can be enabled or disabled by software. It can be applied to Component inputs.

3.3.6. Auto Position Calibration

Auto Position Calibration (APC) detects the active picture area of input video signal and adjusts the output timing so that the final picture can fit to the display properly.

3.3.7. Auto Gain Calibration

Slight mismatch of analog input channels, including offset and gain may impact the picture quality. The SiI8788 device has been well designed to keep the mismatches in acceptable range (<0.5 dB). It is still important to calibrate these mismatches in some cases to achieve the most accurate picture. To help manufacturers complete this process in a short time, an Auto Gain Calibration (AGCWIN) mechanism is designed in SiI8788 device. This mechanism will automatically measure the digitalized signal levels through AGCWIN module, calculate the correction values. These values can be used by firmware in user mode to compensate the analog mismatches.

3.4. Video Path

3.4.1. Video Data Conversion Logic Block

The video data conversion logic block receives the output data from the video processing block. Figure 3.6 shows the video data processing stages. Each of the processing blocks can be bypassed by setting the appropriate register bits.

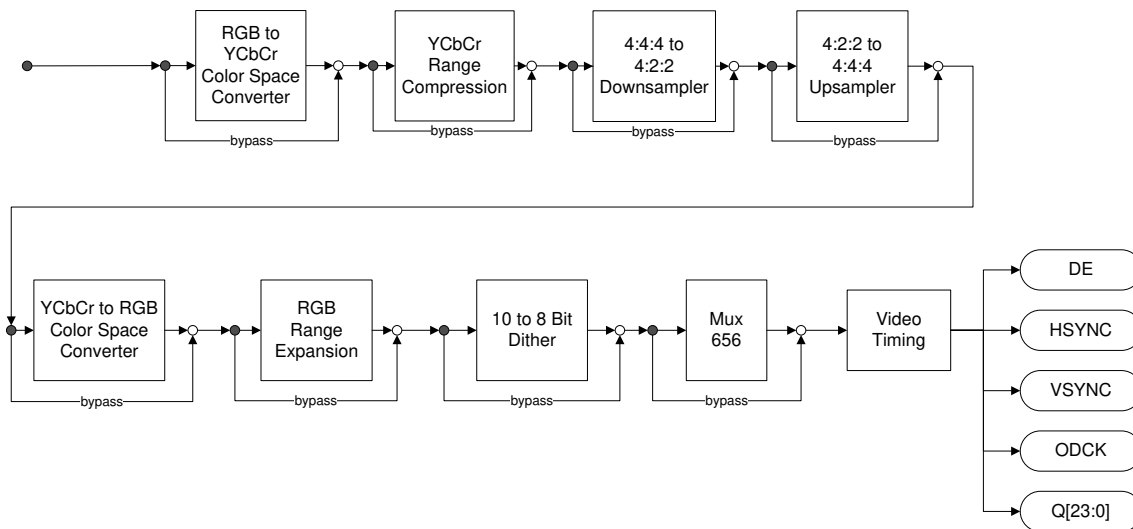


Figure 3.6. Default Video Processing Path

3.4.1.1. Color Space Converters

Color Space Converters (CSCs) are provided to convert RGB data to the Standard-definition (ITU.601) or High-definition (ITU.709) YCbCr formats, and vice-versa. The CSC can be adjusted to perform standard-definition conversions (ITU.601) or high-definition conversions (ITU.709) by setting the appropriate registers.

3.4.1.2. YCbCr Range Compression

When enabled by itself, the Range Compression Block compresses 0–255 full-range data into 16–235 limited-range data for each video channel, and compresses to 16–240 for the Cb and Cr channels. The color range scaling is linear.

3.4.1.3. 4:4:4 to 4:2:2 Downsampler

Downsampling reduces the number of chrominance samples in each line by half, converting 4:4:4 sampled video to 4:2:2 video.

3.4.1.4. 4:2:2 to 4:4:4 Up-sampler

Chrominance upsampling and downsampling increase or decrease the number of chrominance samples in each line of the video. Upsampling doubles the number of chrominance samples in each line, converting 4:2:2 sampled video to 4:4:4 sampled video.

3.4.1.5. RGB Range Expansion

The SiI8788 device can scale the input color from limited-range into full-range using the range expansion block. When enabled by itself, the range expansion block expands 16 – 235 limited-range data into 0 – 255 for each video channel. When the range expansion and the YCbCr to RGB color space converter are both enabled, the input conversion range for the Cb and Cr channels is 16 – 240.

3.4.1.6. 10 to 8 Bit Dither

The 10 to 8 Bit Dither block dithers internally processed 10-bit data to 8-bit data for output.

3.4.1.7. Mux 656

The Mux 656 block multiplexes the video data into YC Mux (ITU.656) format.

3.4.1.8. Video Timing

The video timing block is used to control the timing of the digital parallel video output automatically according to the output format setting, such as controlling the output frequency of the ODCK, and disabling the HSYNC, VSYNC and DE signals output when the output format is set as embedded syncs.

3.4.2. Digital Parallel Video Output Interface

The SiI8788 input processor outputs the uncompressed digital video with a data width of 8 to 24 bits from the digital parallel video output interface. The data path has three 8-bit data channels, which can be configured in many different video formats. The supported typical formats are listed in [Table 3.2](#).

Table 3.2. Typical Digital Video Output Formats

Color Space	Video Format	Bus Width	HSYNC/VSYNC	Output Clock (MHz)					Notes
				480i/576i ^{2,3}	480p	720p	1080i	1080p	
RGB	4:4:4	24	Separate	27	27	74.25	74.25	148.5	—
		12	Separate	27	27	74.25	74.25	—	4
YCbCr	4:4:4	24	Separate	27	27	74.25	74.25	148.5	—
		12	Separate	27	27	74.25	74.25	—	4
	4:2:2	16/20/24	Separate	27	27	74.25	74.25	148.5	—
		16/20/24	Embedded	27	27	74.25	74.25	148.5	1
		8/10/12	Separate	27	54	148.5	148.5	—	—
		8/10/12	Embedded	27	54	148.5	148.5	—	1

Notes:

1. Embedded syncs use SAV/EAV coding.
2. 480i and 576i modes can output a 13.25 MHz clock using the internal clock divider.
3. Output clock frequency depends on programming of internal registers.
4. Output clock supports 12-bit mode by using DDR mode.

3.5. Control Logic

3.5.1. Internal Microcontroller

As shown in [Figure 3.1](#) page 7, an 8-bit 8051 compatible micro-controller is integrated in the SiI8788 device. It contains 3 KB data RAM and 128 KB code RAM. The code can be loaded into code RAM from an external SPI Flash or EEPROM memory automatically after power on. If the check sum of the code data is correct, the code will be executed.

Otherwise the internal microcontroller is disabled and the chip can be controlled by an external controller through I²C bus. The internal controller can access all the internal registers directly over the internal bus. The 8051 microcontroller runs at the crystal clock of 24 MHz.

When the booting procedure is finished, the SPI interface is handed over to the 8051 SPI module so that firmware can read/write the external memory if needed.

The internal controller can also operate other peripherals through the I²C bus of the SiI8788 device by setting it to the master mode.

3.5.1.1. Data Structure of External SPI Memory

Figure 3.7 shows the memory structure which is required for the internal microcontroller to load the code correctly.

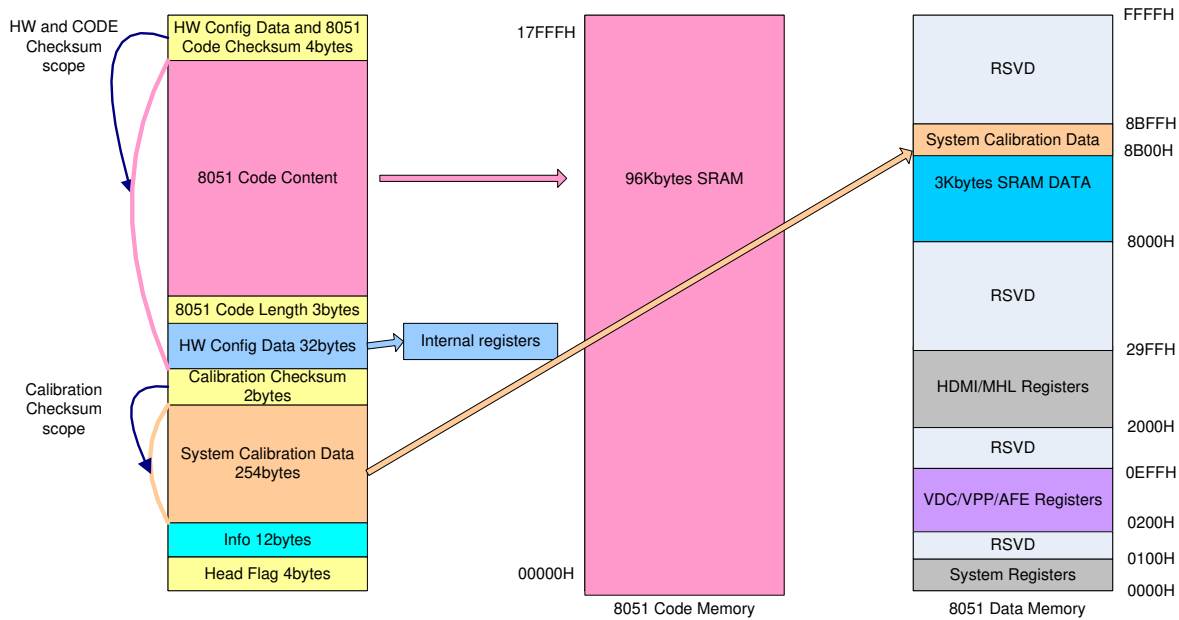


Figure 3.7. External Memory Structure

Table 3.3. Head Flags

EEPROM/Flash Address	EEPROM/Flash Content
00000H	Head0 'S'
00001H	Head1 'I'
00002H	Head2 'M'
00003H	Head3 'G'

Note: The head flag will be four bytes ASCII code of 'S', 'I', 'M', 'G'.

Table 3.4. Info Bytes

EEPROM/Flash Address	EEPROM/Flash Content
00004H	SPI PARAMETER.
00005H	Calibration Version (low byte).
00006H	Calibration Version.
00007H	Calibration Version (high byte).
00008H	Code Version (low byte).
00009H	Code Version.
0000AH	Code Version (high byte).
0000BH	Reserved.
0000CH	Reserved.
0000DH	Reserved.
0000EH	Reserved.
0000FH	Reserved.

Note: The info bytes will contain the information about the feature of Max read frequency of external EEPROM/Flash, the calibration version, and the code version. It will occupy 12 bytes.

Table 3.5. SPI Parameter

SPI Parameter	Description
0x00	2 MHz baud rate to access SPI Flash/EEPROM.
0x01	24 MHz baud rate to access SPI Flash/EEPROM.

Table 3.6. Calibration Checksum

EEPROM/Flash Address	EEPROM/Flash Content
0010EH	Calibration Checksum (low byte).
0010FH	Calibration Checksum (high byte).

Note: The calibration checksum will be two bytes which locates at the last site of 256 size calibration data.

Table 3.7. HW Configuration Data

EEPROM/Flash Address	EEPROM/Flash Content
00110H	BT_SPI_PINMUX_SEL. 00H – SPI function 01H – Reserved. Don't use 02H – Reserved. Don't use
00111H..0012FH	Reserved.

Table 3.8. 8051 Code Size

EEPROM/Flash Address	EEPROM/Flash Content
00130H	Code Size (low byte).
00131H	Code Size.
00132H	Code Size (high byte).

Table 3.9. HW Configuration Data and Code Checksum

EEPROM/Flash Address	EEPROM/Flash Content
00133H + code size	Code Checksum0 (lowest byte).
00134H + code size	Code Checksum1.
00135H + code size	Code Checksum2.
00136H + code size	Code Checksum3 (highest byte).

The boot module =tries to read data from external device and write into chip SRAM. The 8051 code content will be written into the 96 K bytes SRAM of 8051. The 256 system calibration will be written into the high 3K bytes SRAM in data memory.

For details on the selection of the SPI Flash memory, refer to the relevant Application Note (SiI-AN-1108).

3.5.2. Registers

The register block incorporates all the registers required for configuring and managing the SiI8788 device. These registers are used to perform AFE processing, VDC processing, and all other control functions. Refer to the associated Programmer Reference for the information on these registers. *The Programmer's Reference requires an NDA with Lattice Semiconductor.*

3.5.3. I²C Bus

The local I²C slave bus provides the host with communication to the entire system. The controller I²C interface on the SiI8788 device (signals CSCL and CSDA) is a slave interface, which is capable of running up to 400 kHz.

All functions of the SiI8788 device are controlled and observed with I²C registers. Device addresses can be altered with the level of the CI2CA signal. Table 3.10 shows the device addresses as altered by the level of the CI2CA signal.

Table 3.10. Control of Transmitter I²C Address with CI2CA Signal

CI2CA = 0	CI2CA = 1	Purpose
0x8C	0x8E	System Control and Status
0x84	0x84	VD_DPGA VD_SIGNALROUTING
0x86	0x86	VD_VBI
0x8A	0x8A	VD_VDREG VD_ADCIF
0x92	0x92	VD_SYNCPROC
0x96	0x96	VD_ADCSTATUS VD_VPP Edge Smooth INT
0xDA	0xDA	FPGA APD ADC Win
0x9C	0x9C	Vidpath Calibration
0xD8	0xD8	AFE

Note: When the internal microcontroller is enabled, the I²C bus will be taken over by the firmware and it can work as both master and slave mode, and the addresses are alterable.

3.5.4. Interrupt

The SiI8788 device contains a configurable interrupt generator with an open-drain type output pin. It can be used to notify application processor (if there is application processor) to handle some events. Refer to the associated Programmer Reference for the information on these registers.

3.5.5. GPIOs

There are five general purpose IO pins on the SiI8788 device. Generally they can be used to detect the cable plug-in status, but they can be used for other purposes as well.

Table 3.11. GPIOs

Name	Type	Pull up/down ²	Reset Status
GPIO0 ¹	IO	Pull down	I
GPIO1	IO	Pull up	I
GPIO2	IO	Pull up	I
GPIO3	IO	Pull up	I
GPIO4	IO	Pull up	I

Notes:

- GPIO0 is also used as CI2CA pin to decide the I²C slave address during reset.
- The internal Pull up/down resistors are fixed and weak just to avoid floating input level when they are left unconnected. Peripheral circuits should not rely on them. 10 K or smaller resistors are recommended for external pull up/down circuit to override them if needed.

4. Electrical Specifications

4.1. Absolute Maximum Ratings

Table 4.1. Absolute Maximum Ratings

Symbol	Parameter	Min	Typ	Max	Units	Notes
VP2V5A	Analog Power for AFE	-0.3	—	3.0	V	1, 2
VP2V5D	Digital Power for AFE	-0.3	—	3.0	V	1, 2
VP2V5_SLICER	Analog Power for SOG Slicer	-0.3	—	3.0	V	1, 2
VP1V0_PLL	Power for APLL and LLPLL	-0.3	—	1.2	V	1, 2
VCC10_TPLL	TCI PLL Power	-0.3	—	1.2	V	1, 2
CVCC10	Power for Digital Core	-0.3	—	1.2	V	1, 2
VDDIO33	Power for Digital I/O	-0.3	—	4.0	V	1, 2
XTALVCC33	Power for XTAL	-0.3	—	4.0	V	1, 2
V _I	Digital Input Voltage	-0.3	—	VDDIO + 0.3	V	1, 2
V _O	Digital Output Voltage	-0.3	—	VDDIO + 0.3	V	1, 2
AV _I	Analog Input Voltage	-0.3	—	VP2V5A + 0.3	V	1, 2
V _{5V-Tolerant}	Input Voltage on 5 V Tolerant Pins	-0.3	—	5.5	V	—
T _J	Junction Temperature	—	—	125	°C	—
T _{STG}	Storage Temperature	-65	—	150	°C	—

Notes:

1. Permanent device damage can occur if absolute maximum conditions are exceeded.
2. Functional operation should be restricted to the conditions described under normal operating conditions.

4.2. Normal Operating Conditions

Table 4.2. Normal Operating Conditions

Symbol	Parameter	Min	Typ	Max	Units	Notes
VP2V5A	Analog Power for AFE	2.375	2.50	2.625	V	—
I _{VP2V5A}	Total Current Consumption of VP2V5A	—	95	—	mA	4
		—	260	—	mA	5
VP2V5D	Digital Power for AFE	2.375	2.50	2.625	V	—
I _{VP2V5D}	Total Current Consumption of VP2V5D	—	30	—	mA	—
VP2V5_SLICER	Analog Power for SOG slicer	2.375	2.50	2.625	V	—
I _{VP2V5_SLICER}	Current Consumption of VP2V5_SLICER	—	0	—	mA	4
		—	5	—	mA	5
VP1V0_PLL	Power for APLL and LLPLL	0.95	1.00	1.05	V	—
I _{VP1V0_PLL}	Current Consumption of VP1V0_PLL	—	20	—	mA	—
VCC10_TPLL	TCI PLL Power	0.95	1.00	1.05	V	—
I _{VCC10_TPLL}	Current Consumption of VCC10_TPLL	—	3.5	—	mA	—
CVCC10	Power for Digital Core	0.95	1.00	1.05	V	—
I _{CVCC10}	Total Current Consumption of CVCC10	—	70	—	mA	4
		—	20	—	mA	5
VDDIO33	Power for Digital I/O	3.135	3.30	3.465	V	—
I _{VDDIO3V3}	Current Consumption of VDDIO3V3	—	5	—	mA	4
		—	20	—	mA	5
XTALVCC33	Power for XTAL	3.135	3.30	3.465	V	—
I _{XTALVCC33}	Current Consumption of XTALVCC33	—	5	—	mA	—
T _A	Ambient Temperature (with power applied)	0	25	70	°C	—
Θ _{ja}	Ambient Thermal Resistance (Theta JA)	—	—	25.6	°C/W	1
Θ _{jc}	Case Thermal Resistance (Theta JC)	—	—	11.9	—	—

Notes:

1. Airflow at 0 m/s. Package ePad soldered to PCB.
2. The power ripple must be below 60mVpp to avoid video quality detrition.
3. Avoid any noise coupling to PLL power rails.
4. Measured with CVBS input.
5. Measured with YPbPr 1080p60 input.

4.3. ESD Specifications

Table 4.3. ESD Specifications

Symbol	Parameter	Min	Typ	Max	Units	Notes
Latch up	ESD Latch up	± 200	—	—	mA	1, 2
HBM	Human Body Model	2000	—	—	V	3
MM	Machine Model	200	—	—	V	4
CDM	Charged Device Model	500	—	—	V	5

Notes:

1. At 70 °C.
2. Measured as per JESD78B standard.
3. Measured as per JESD22-A114 standard.
4. Measured as per JESD22-A115 standard.
5. Measured as per JESD22-C101 standard.

4.4. DC Specifications

Table 4.4. Digital I/O Specifications

Symbol	Parameter	Conditions	Min	Typ	Max	Units	Note
Digital Inputs							
V_{IL}	Input Low Voltage	—	—	—	0.8	V	1
V_{IH}	Input High Voltage	—	2.0	—	—	V	1
V_{TH+}	Schmitt Trigger LOW to HIGH Threshold	—	1.61	1.69	1.77	V	1
V_{TH-}	Schmitt Trigger HIGH to LOW threshold	—	1.18	1.27	1.35	V	1
I_{IL}	Input Leakage Current	—	-10	—	10	μ A	1
RPU	Pull-up Resistor	—	27	38	59	K Ω	1
RPD	Pull-down Resistor	—	31	46	80	K Ω	1
V_{TH+2C}	Schmitt Trigger LOW to HIGH Threshold of LSCL, LSDA	—	2.0	—	—	V	—
V_{TH-2C}	Schmitt Trigger HIGH to LOW Threshold of LSCL, LSDA	—	—	—	0.8	V	—
Digital Outputs							
V_{OH}	HIGH-level Output Voltage	$I_{OL} = -8\text{mA}$	2.4	—	—	V	1
V_{OL}	LOW-level Output Voltage	$I_{OH} = 8\text{mA}$	—	—	0.4	V	1
I_{OZ}	Tri-state Output Leakage Current	—	-10	—	10	μ A	1

Note: Applies to general digital IOs.

4.5. AC Specifications

Table 4.5. Analog Front-end Electrical Specifications

Analog Input						
Symbol	Parameter	Conditions	Min	Typ	Max	Units
—	Input capacitance	—	—	5	—	pF
V _{FSR}	Analog Input Range	—	0.3	—	1.2	V _{pp}
—	Clamp Level	—	0.25	—	0.85	V
V _{OAR}	Offset Adjustment Range	—	-0.5	—	+ 0.5	%FS
—	Offset Adjustment Resolution	—	—	10	—	Bits
BW	Input Analog Filter Bandwidth	—	50	—	600	MHz
—	Gain Adjustment Range	—	-6	—	+ 6	dB
A/D Converters						
—	Conversion Rate	—	25	—	170	MHz
N	ADC Resolution	—	—	10	—	Bits
INL	Integral Nonlinearity	580 mVpp, 2.8 kHz Ramp Wave Sampling Rate: 55 MHz PGA Gain: 0 dB LPF Bandwidth: 50 MHz	—	4	—	LSB
DNL	Differential Nonlinearity		—	1	—	LSB
NMC	No Missing Codes	—	Guaranteed			—
ENOB	Effective Number Of Bits	300 mVpp, 1.1 MHz Sine Wave Sampling Rate: 165 MHz PGA Gain: 0 dB LPF Bandwidth: 400 MHz	—	7.5	—	Bits
PLL						
—	Clock Frequency Range	—	25	—	170	MHz
—	Period Jitter	—	—	—	450	ps
—	Phase Adjustment	—	—	11.25	—	Degrees
—	Duty Cycle	—	45	50	55	%
Video Buffer						
DP	Differential Phase	—	—	—	4	Degrees
DG	Differential Gain	—	—	—	4	%
THD	Total Harmonic Distortion	700 mVpp, 4 MHz Sine Wave Load = 37.5 Ω Internal Clamp: OFF	—	-48	—	dB

Table 4.6. Parallel Video Output Timing Specifications

Symbol	Parameter	Conditions	Min	Typ	Max	Units	Figure
DLHT_C	LOW-to-HIGH Rise Time Transition, ODCK pin	$C_L = 10\text{pF}$	—	—	0.74	ns	Figure 5.4
DHLT_C	HIGH-to-LOW Fall Time Transition, ODCK pin	$C_L = 10\text{pF}$	—	—	0.81	ns	Figure 5.4
DLHT_D	LOW-to-HIGH Rise Time Transition, data and control pins	$C_L = 10\text{pF}$	—	—	1.15	ns	Figure 5.4
DHLT_D	HIGH-to-LOW Fall Time Transition, data and control pins	$C_L = 10\text{pF}$	—	—	1.45	ns	Figure 5.4
T_{CIP}	ODCK Cycle Time	$C_L = 10\text{pF}$	40	—	6	ns	Figure 5.5
F_{CIP}	ODCK Frequency	$C_L = 10\text{pF}$	25	—	165	MHz	Figure 5.5
TDUTY	ODCK Duty Cycle	$C_L = 10\text{pF}$	45%	—	55%	—	Figure 5.5
T_{CK2OUT}	Clock-to-Output Delay	$C_L = 10\text{pF}$	0.2	—	1	ns	Figure 5.5

Notes:

1. The timings above apply to ODCK, HSYNC, VSYNC, DE, and Q[23:0].

4.6. Control Signal Timing Specifications

Table 4.7. Control Signal Timing Specifications

Symbol	Parameter	Conditions	Min	Typ	Max	Units	Figure	Notes
T_{I2CDVD}	SDA Data Valid Delay from SCL falling edge on READ command	$CL = 400\text{pF}$	—	—	700	ns	Figure 5.1	1, 2
T_{RESET}	RESET_N Signal LOW Time required for reset	—	5000	—	—	ns	Figure 5.2, Figure 5.3	3

Notes:

1. All standard-mode (100 kHz) I²C timing requirements are guaranteed by design. These timings apply to the slave I²C port (signals LSDA and LSCL).
2. Operation of I²C signals above 100 kHz is defined by LVTTTL levels V_{IH} , V_{IL} , V_{OH} , and V_{OL} (see Table 4.4 on page 21). For these levels, I²C speeds up to 400 kHz are supported.
3. Reset on RESET_N signal can be LOW as CVCC10 and VDDIO33 become stable, or pulled LOW for at least T_{RESET} .

5. Timing Diagrams

5.1. I²C Bus Timing Diagrams

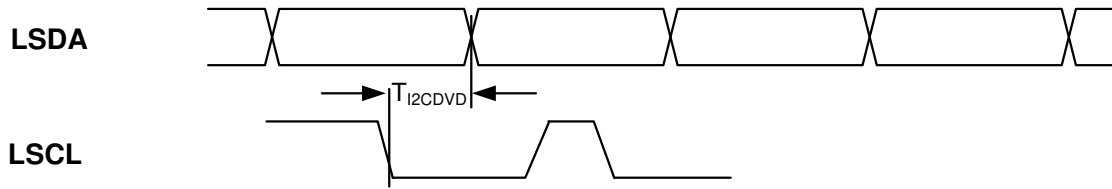


Figure 5.1. I²C Data Valid Delay (Driving Read Cycle Data)

5.2. Reset Timing Diagram

VDDIO33 must be stable between its limits for Normal Operating Conditions for T_{RESET} before RESET_N is HIGH. RESET_N must be pulled LOW for T_{RESET} before accessing registers. This can be done by holding RESET_N LOW until T_{RESET} after stable power (Figure 5.2) or by pulling RESET_N LOW from a HIGH state (Figure 5.3) for at least T_{RESET} .

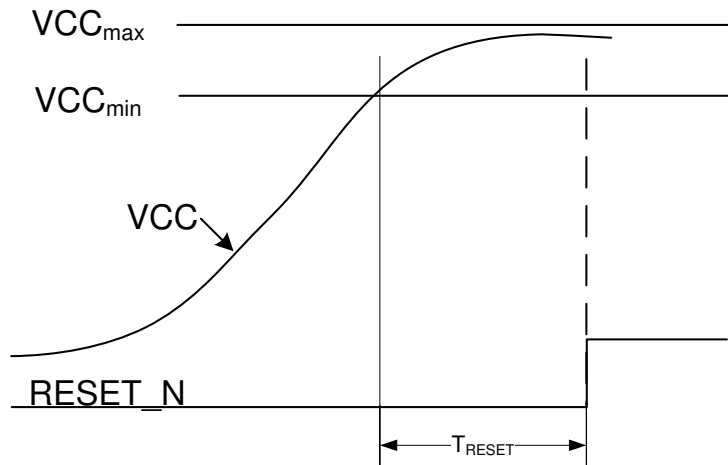


Figure 5.2. Conditions for Use of RESET_N

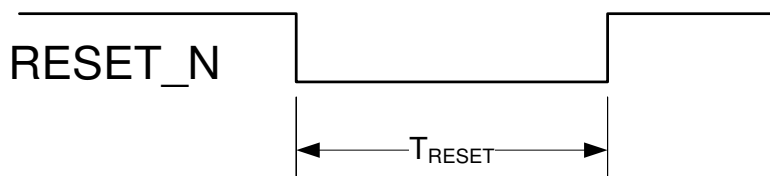


Figure 5.3. RESET_N Minimum Timings

5.3. Digital Video Output Timing Diagrams

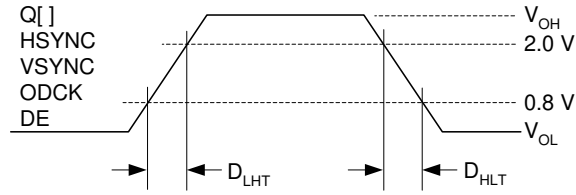


Figure 5.4. Video Digital Output Transition Times

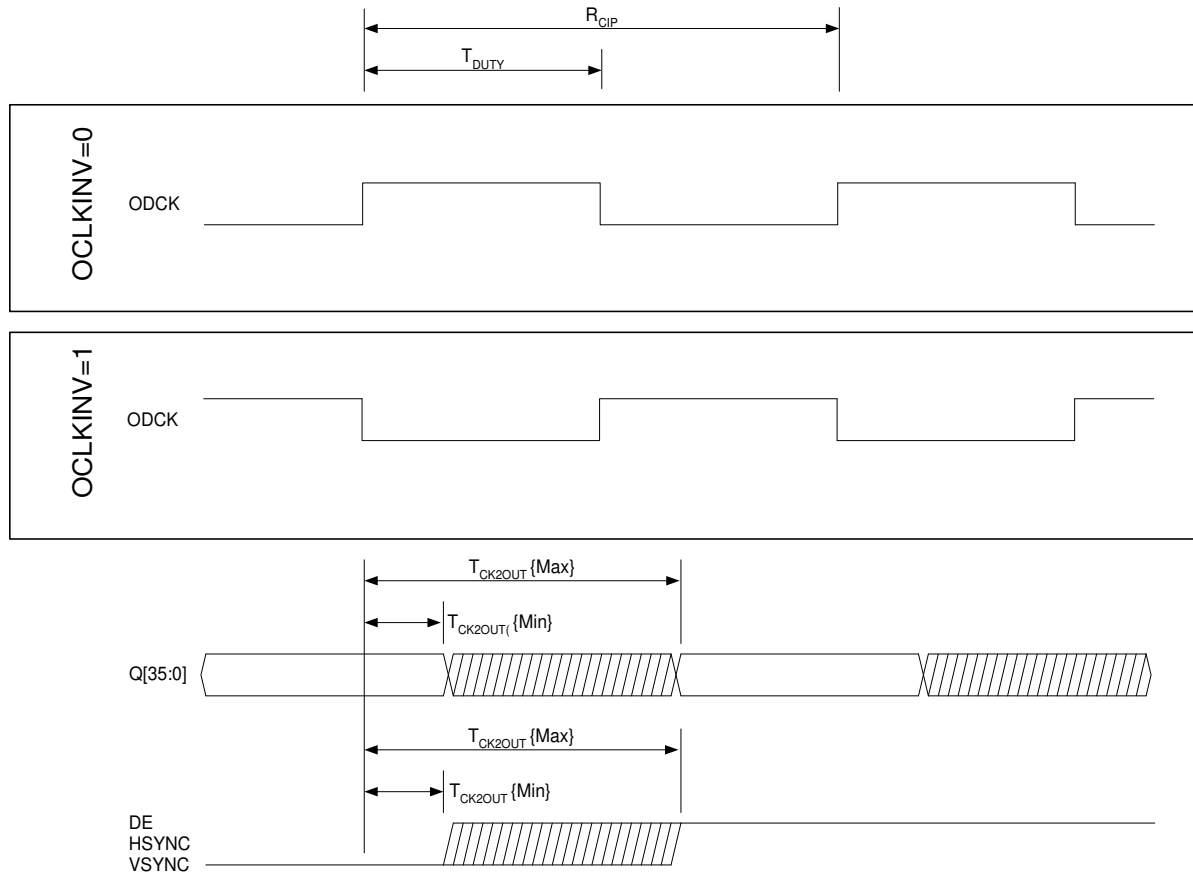


Figure 5.5. Clock-to-Output Delay and Duty Cycle Limits

6. Pin Diagram and Pin Description

6.1. Pin Diagram

Figure 6.1 shows the pin assignments for the SiI8788 processor. Individual pin functions are described in the [Pin Descriptions](#) section on the next page. The package is a 10 mm × 10 mm × 0.9 mm 88-pin QFN with an ePad, which must be connected to ground.

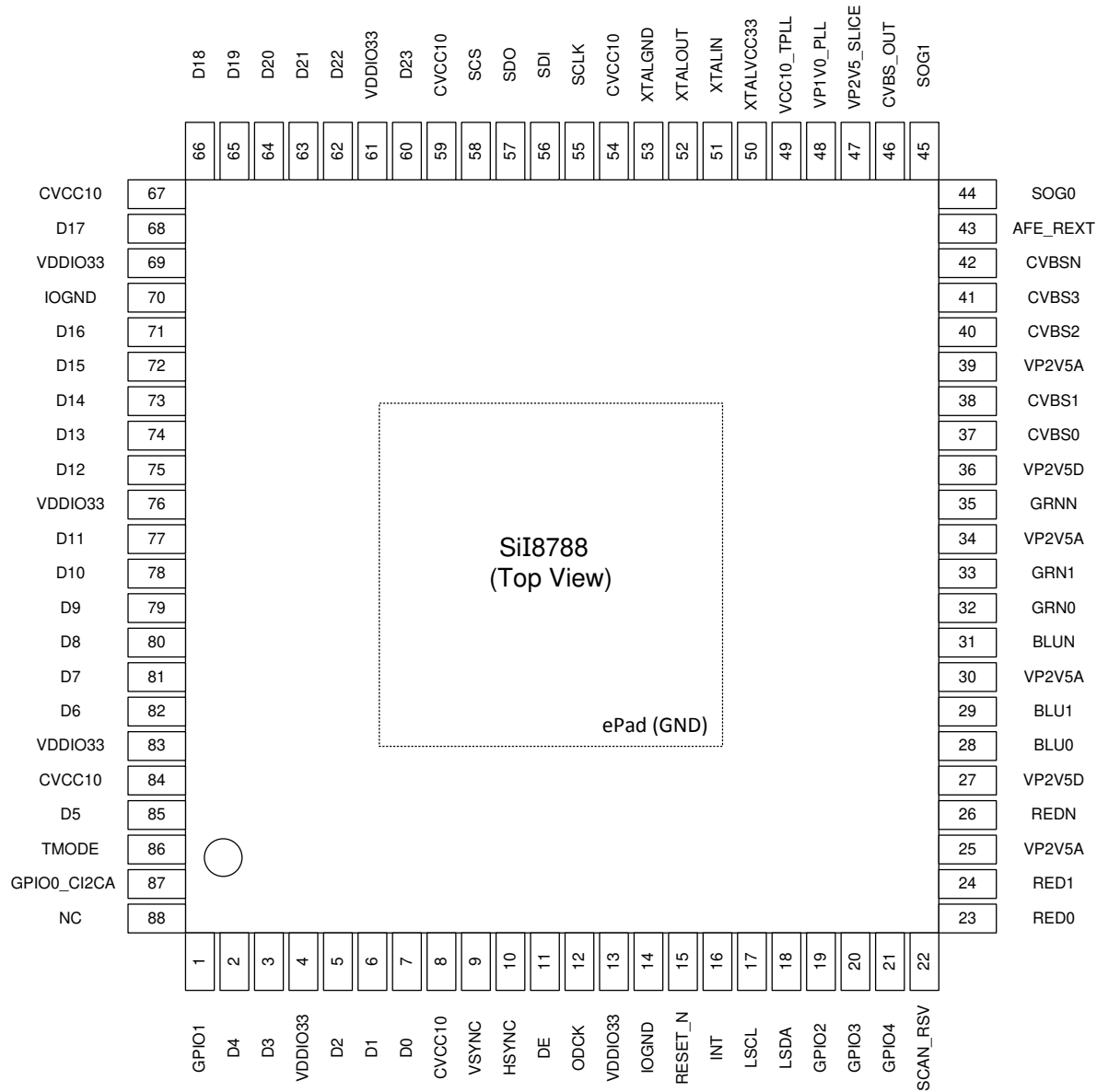


Figure 6.1. Pin Diagram

6.2. Pin Descriptions

The following tables provide the pin descriptions for the SiI8788 input processor.

6.2.1. AFE Input/Output Pins

Table 6.1. AFE Input/Output Pins

Pin Name	Pin	Type	Direction	Description	Notes
RED0	23	Analog	Input	Pr Input 0.	1
RED1	24	Analog	Input	Pr Input 1.	1
REDN	26	Analog	Input	Pr Negative Input.	2
BLU0	28	Analog	Input	Pb Input 0.	1
BLU1	29	Analog	Input	Pb Input 1.	1
BLUN	31	Analog	Input	Pb Negative Input.	2
GRN0	32	Analog	Input	Y Input 0.	1
GRN1	33	Analog	Input	Y Input 1.	1
GRNN	35	Analog	Input	Y Negative Input.	2
CVBS0	37	Analog	Input	CVBS INPUT 0.	1
CVBS1	38	Analog	Input	CVBS INPUT 1.	1
CVBS2	40	Analog	Input	CVBS INPUT 2.	1
CVBS3	41	Analog	Input	CVBS INPUT 3.	1
CVBSN	42	Analog	Input	CVBS Negative Input.	2
AFE_REXT	43	Analog	Passive	External Bias Resistor. Must connect a 12 K, 1% resistor to ground.	—
SOG0	44	Analog	Input	SOG INPUT 0.	—
SOG1	45	Analog	Input	SOG INPUT 1.	—
CVBS_OUT	46	Analog	Output	CVBS Output. Connect a 75 Ω resistor to ground when CVBS output is enabled.	—

Notes:

1. A 47 nF couple capacitor is required when this pin is used.
2. Must connect a 0.1 μ F capacitor to ground when the corresponding input channel is used.

6.2.2. Configuration and Control Pins

Table 6.2. Configuration and Control Pins

Pin Name	Pin	Type	Direction	Description
INT	16	LVTTTL Open Drain 5 V Tolerant	Output	Interrupt Pin.
RESET_N	15	LVTTTL Schmitt Trigger 5 V Tolerant	Input	External Reset Signal. Active LOW.
LSCL	17	Open Drain Schmitt Trigger 5 V Tolerant	IO	Local I ² C Bus Clock.
LSDA	18	Open Drain Schmitt Trigger 5 V Tolerant	IO	Local I ² C Bus Data.
TMODE	86	Test Pin	Input	Reserved for test. This pin must be tied low during the normal operation.
GPIO0_C12CA	87	LVTTTL Schmitt Trigger 5 V Tolerant Pull-down	IO	General GPIOs. It is also used to select local I ² C slave address during reset when the internal 8051 is not used.
GPIO1	1	LVTTTL Schmitt Trigger 5 V Tolerant Pull-up	IO	General GPIOs.
GPIO2	19	LVTTTL Schmitt Trigger 5 V Tolerant Pull-up	IO	General GPIOs.
GPIO3	20	LVTTTL Schmitt Trigger 5 V Tolerant Pull-up	IO	General GPIOs.
GPIO4	21	LVTTTL Schmitt Trigger 5 V Tolerant Pull-up	IO	General GPIOs.

6.2.3. Parallel Video Output Data Pins

Table 6.3. Parallel RGB Output Data Pins

Pin Name	Pin	Type	Direction	Description
ODCK	12	LVTTTL	Output	Output Pixel Clock.
VSYNC	9	LVTTTL	Output	Vertical Sync.
HSYNC	10	LVTTTL	Output	Horizontal Sync.
DE	11	LVTTTL	Output	Pixel Data Enable.
D0	7	LVTTTL	Output	Output Pixel Data Bit 0.
D1	6	LVTTTL	Output	Output Pixel Data Bit 1.
D2	5	LVTTTL	Output	Output Pixel Data Bit 2.
D3	3	LVTTTL	Output	Output Pixel Data Bit 3.
D4	2	LVTTTL	Output	Output Pixel Data Bit 4.
D5	85	LVTTTL	Output	Output Pixel Data Bit 5.
D6	82	LVTTTL	Output	Output Pixel Data Bit 6.
D7	81	LVTTTL	Output	Output Pixel Data Bit 7.
D8	80	LVTTTL	Output	Output Pixel Data Bit 8.
D9	79	LVTTTL	Output	Output Pixel Data Bit 9.
D10	78	LVTTTL	Output	Output Pixel Data Bit 10.
D11	77	LVTTTL	Output	Output Pixel Data Bit 11.
D12	75	LVTTTL	Output	Output Pixel Data Bit 12.
D13	74	LVTTTL	Output	Output Pixel Data Bit 13.
D14	73	LVTTTL	Output	Output Pixel Data Bit 14.
D15	72	LVTTTL	Output	Output Pixel Data Bit 15.
D16	71	LVTTTL	Output	Output Pixel Data Bit 16.
D17	68	LVTTTL	Output	Output Pixel Data Bit 17.
D18	66	LVTTTL	Output	Output Pixel Data Bit 18.
D19	65	LVTTTL	Output	Output Pixel Data Bit 19.
D20	64	LVTTTL	Output	Output Pixel Data Bit 20.
D21	63	LVTTTL	Output	Output Pixel Data Bit 21.
D22	62	LVTTTL	Output	Output Pixel Data Bit 22.
D23	60	LVTTTL	Output	Output Pixel Data Bit 23.

6.2.4. SPI Interface Pins

Table 6.4. SPI Interface Pins

Pin Name	Pin	Type	Direction	Description
SCLK	55	LVTTL Schmitt Trigger 5 V Tolerant Pull-down	Output	SPI clock output. Keep HiZ when RESET_N is low.
SDI	56	LVTTL Schmitt Trigger 5 V Tolerant Pull-down	Input	SPI Data Input.
SDO	57	LVTTL Schmitt Trigger 5 V Tolerant Pull-down	Output	SPI Data Output. Keep HiZ when RESET_N is low.
SCS	58	LVTTL Schmitt Trigger 5 V Tolerant Pull-down	Output	SPI Chip Enable. Keep HiZ when RESET_N is low.

6.2.5. Power and Ground Connections

Table 6.5. Power and Ground Connections

Pin Name	Pin	Type	Description	Supply
VP2V5A	25, 30, 34, 39	Power	Analog power.	2.5 V
VP2V5D	27, 36	Power	Digital power for AFE.	2.5 V
VP2V5_SLICER	47	Power	Analog power for SOG Slicer.	2.5 V
VP1V0_PLL	48	Power	Power for LLPLL.	1.0 V
CVCC10	8, 54, 59, 67, 84	Power	Power for Digital Core.	1.0 V
VDDIO33	4, 13, 61, 69, 76, 83	Power	Power for Digital I/O.	3.3 V
VCC10_TPLL	49	Power	Power for TCI PLL.	1.0 V
XTALVCC33	50	Power	Power for XTAL.	3.3 V
IOGND	14, 70	Ground	Digital I/O Ground.	Ground
XTALGND	53	Ground	Ground for XTAL.	Ground

6.2.6. Crystal Pins

Table 6.6. Crystal Pins

Pin Name	Pin	Type	Direction	Description
XTALIN	51	Analog	I	Input for Crystal.
XTALOUT	52	Analog	O	Output for Crystal.

6.2.7. Reserved Pins

Table 6.7. Reserved Pins

Pin Name	Pin	Type	Description
SCAN_RSV	22	RSVD	Reserved.
NC	88	RSVD	No Connection.

6.2.8. Output Pin Mappings

6.2.8.1. RGB and YCbCr 4:4:4 Separate Sync

The pixel clock runs at the pixel rate and a complete definition of each pixel is input on each clock. The same timing format is used for YCbCr 4:4:4 as listed in column three of [Table 6.8](#).

Table 6.8. RGB/YCbCr 4:4:4 Separate Sync Data Mapping

Pin Name	24-bit	24-bit
	RGB	YCbCr
D0	B0	Cb0
D1	B1	Cb1
D2	B2	Cb2
D3	B3	Cb3
D4	B4	Cb4
D5	B5	Cb5
D6	B6	Cb6
D7	B7	Cb7
D8	G0	Y0
D9	G1	Y1
D10	G2	Y2
D11	G3	Y3
D12	G4	Y4
D13	G5	Y5
D14	G6	Y6
D15	G7	Y7
D16	R0	Cr0
D17	R1	Cr1
D18	R2	Cr2
D19	R3	Cr3
D20	R4	Cr4
D21	R5	Cr5
D22	R6	Cr6
D23	R7	Cr7
Hsync	Hsync	Hsync
Vsync	Vsync	Vsync
DE	DE	DE

6.2.8.2. YCbCr 4:2:2 Separate Sync Formats

The YCbCr 4:2:2 formats output one pixel for every pixel clock period. A luminance(Y) value is sent for every pixel, but the chrominance values (Cb and Cr) are sent over two pixels. Pixel data can be 24-bit, 20-bit or 16-bit. HSYNC and VSYNC are output separately on their own pins. The DE HIGH time must contain an even number of pixel clocks.

Table 6.9. YCbCr 4:2:2 Separate Sync Data Mapping

Pin Name	16-bit YCbCr		20-bit YCbCr		24-bit YCbCr	
	Pixel 0	Pixel 1	Pixel 0	Pixel 1	Pixel 0	Pixel 1
D0	NC	NC	NC	NC	Y0	Y0
D1	NC	NC	NC	NC	Y1	Y1
D2	NC	NC	Y0	Y0	Y2	Y2
D3	NC	NC	Y1	Y1	Y3	Y3
D4	Y0	Y0	Y2	Y2	Y4	Y4
D5	Y1	Y1	Y3	Y3	Y5	Y5
D6	Y2	Y2	Y4	Y4	Y6	Y6
D7	Y3	Y3	Y5	Y5	Y7	Y7
D8	Y4	Y4	Y6	Y6	Y8	Y8
D9	Y5	Y5	Y7	Y7	Y9	Y9
D10	Y6	Y6	Y8	Y8	Y10	Y10
D11	Y7	Y7	Y9	Y9	Y11	Y11
D12	NC	NC	NC	NC	Cb0	Cr0
D13	NC	NC	NC	NC	Cb1	Cr1
D14	NC	NC	Cb0	Cr0	Cb2	Cr2
D15	NC	NC	Cb1	Cr1	Cb3	Cr3
D16	Cb0	Cr0	Cb2	Cr2	Cb4	Cr4
D17	Cb1	Cr1	Cb3	Cr3	Cb5	Cr5
D18	Cb2	Cr2	Cb4	Cr4	Cb6	Cr6
D19	Cb3	Cr3	Cb5	Cr5	Cb7	Cr7
D20	Cb4	Cr4	Cb6	Cr6	Cb8	Cr8
D21	Cb5	Cr5	Cb7	Cr7	Cb9	Cr9
D22	Cb6	Cr6	Cb8	Cr8	Cb10	Cr10
D23	Cb7	Cr7	Cb9	Cr9	Cb11	Cr11
Hsync	Hsync	Hsync	Hsync	Hsync	Hsync	Hsync
Vsync	Vsync	Vsync	Vsync	Vsync	Vsync	Vsync
DE	DE	DE	DE	DE	DE	DE

6.2.8.3. YCbCr 4:2:2 Embedded Syncs Formats

The YCbCr 4:2:2 embedded sync format is identical to the previous format (YCbCr 4:2:2), except that the syncs are embedded and not separate. Pixel data can be 24-bit, 20-bit, or 16-bit. DE is always output.

Table 6.10. YCbCr 4:2:2 Embedded Sync Data Mapping

Pin Name	16-bit YCbCr		20-bit YCbCr		24-bit YCbCr	
	Pixel 0	Pixel 1	Pixel 0	Pixel 1	Pixel 0	Pixel 1
D0	NC	NC	NC	NC	Y0	Y0
D1	NC	NC	NC	NC	Y1	Y1
D2	NC	NC	Y0	Y0	Y2	Y2
D3	NC	NC	Y1	Y1	Y3	Y3
D4	Y0	Y0	Y2	Y2	Y4	Y4
D5	Y1	Y1	Y3	Y3	Y5	Y5
D6	Y2	Y2	Y4	Y4	Y6	Y6
D7	Y3	Y3	Y5	Y5	Y7	Y7
D8	Y4	Y4	Y6	Y6	Y8	Y8
D9	Y5	Y5	Y7	Y7	Y9	Y9
D10	Y6	Y6	Y8	Y8	Y10	Y10
D11	Y7	Y7	Y9	Y9	Y11	Y11
D12	NC	NC	NC	NC	Cb0	Cr0
D13	NC	NC	NC	NC	Cb1	Cr1
D14	NC	NC	Cb0	Cr0	Cb2	Cr2
D15	NC	NC	Cb1	Cr1	Cb3	Cr3
D16	Cb0	Cr0	Cb2	Cr2	Cb4	Cr4
D17	Cb1	Cr1	Cb3	Cr3	Cb5	Cr5
D18	Cb2	Cr2	Cb4	Cr4	Cb6	Cr6
D19	Cb3	Cr3	Cb5	Cr5	Cb7	Cr7
D20	Cb4	Cr4	Cb6	Cr6	Cb8	Cr8
D21	Cb5	Cr5	Cb7	Cr7	Cb9	Cr9
D22	Cb6	Cr6	Cb8	Cr8	Cb10	Cr10
D23	Cb7	Cr7	Cb9	Cr9	Cb11	Cr11
Hsync	Embedded	Embedded	Embedded	Embedded	Embedded	Embedded
Vsync	Embedded	Embedded	Embedded	Embedded	Embedded	Embedded
DE	Embedded	Embedded	Embedded	Embedded	Embedded	Embedded

6.2.8.4. YCbCr Mux 4:2:2 Separate Sync Formats

The video data is multiplexed onto fewer signals than the mapping in Table 6.11, but complete luminance (Y) and chrominance (Cb and Cr) data is still provided for each pixel.

Table 6.11. YCbCr Mux 4:2:2 Separate Sync Data Mapping

Pin Name	8-bit		10-bit		12-bit	
	1 st Clk	2 nd Clk	1 st Clk	2 nd Clk	1 st Clk	2 nd Clk
D0	NC	NC	NC	NC	C0	Y0
D1	NC	NC	NC	NC	C1	Y1
D2	NC	NC	C0	Y0	C2	Y2
D3	NC	NC	C1	Y1	C3	Y3
D4	C0	Y0	C2	Y2	C4	Y4
D5	C1	Y1	C3	Y3	C5	Y5
D6	C2	Y2	C4	Y4	C6	Y6
D7	C3	Y3	C5	Y5	C7	Y7
D8	C4	Y4	C6	Y6	C8	Y8
D9	C5	Y5	C7	Y7	C9	Y9
D10	C6	Y6	C8	Y8	C10	Y10
D11	C7	Y7	C9	Y9	C11	Y11
D12	NC	NC	NC	NC	NC	NC
D13	NC	NC	NC	NC	NC	NC
D14	NC	NC	NC	NC	NC	NC
D15	NC	NC	NC	NC	NC	NC
D16	NC	NC	NC	NC	NC	NC
D17	NC	NC	NC	NC	NC	NC
D18	NC	NC	NC	NC	NC	NC
D19	NC	NC	NC	NC	NC	NC
D20	NC	NC	NC	NC	NC	NC
D21	NC	NC	NC	NC	NC	NC
D22	NC	NC	NC	NC	NC	NC
D23	NC	NC	NC	NC	NC	NC
HSYNC	HSYNC		HSYNC		HSYNC	
VSYNC	VSYNC		VSYNC		VSYNC	
DE	DE		DE		DE	

6.2.8.5. YCbCr Mux 4:2:2 Embedded Sync Formats

This mode is similar to YCbCr 4:2:2 with embedded syncs, but also multiplexes the luminance(Y) and chrominance (Cb and Cr) onto the same pins on alternating pixel clock cycles. Normally this mode is used only for 480i, 480p, 576i, and 576p modes. SAV code is shown before rise of DE. EAV follows the falling edge of DE.

Table 6.12. YCbCr Mux 4:2:2 Embedded Sync Data Mapping

Pin Name	8-bit		10-bit		12-bit	
	1 st Clk	2 nd Clk	1 st Clk	2 nd Clk	1 st Clk	2 nd Clk
D0	NC	NC	NC	NC	C0	Y0
D1	NC	NC	NC	NC	C1	Y1
D2	NC	NC	C0	Y0	C2	Y2
D3	NC	NC	C1	Y1	C3	Y3
D4	C0	Y0	C2	Y2	C4	Y4
D5	C1	Y1	C3	Y3	C5	Y5
D6	C2	Y2	C4	Y4	C6	Y6
D7	C3	Y3	C5	Y5	C7	Y7
D8	C4	Y4	C6	Y6	C8	Y8
D9	C5	Y5	C7	Y7	C9	Y9
D10	C6	Y6	C8	Y8	C10	Y10
D11	C7	Y7	C9	Y9	C11	Y11
D12	NC	NC	NC	NC	NC	NC
D13	NC	NC	NC	NC	NC	NC
D14	NC	NC	NC	NC	NC	NC
D15	NC	NC	NC	NC	NC	NC
D16	NC	NC	NC	NC	NC	NC
D17	NC	NC	NC	NC	NC	NC
D18	NC	NC	NC	NC	NC	NC
D19	NC	NC	NC	NC	NC	NC
D20	NC	NC	NC	NC	NC	NC
D21	NC	NC	NC	NC	NC	NC
D22	NC	NC	NC	NC	NC	NC
D23	NC	NC	NC	NC	NC	NC
HSYNC	Embedded		Embedded		Embedded	
VSYNC	Embedded		Embedded		Embedded	
DE	Embedded		Embedded		Embedded	

6.2.8.6. 12-bit RGB AND YCbCr 4:4:4 Formats with Separate Syncs

The output clock runs at the pixel rate and a complete definition of each pixel is output on each clock. One clock edge drives out half the pixel data on 12 pins. The opposite clock edge drives out the remaining half of the pixel data on the same 12 pins. Control signals (DE, Hsync, Vsync) change state with respect to the first edge of ODCK.

Table 6.13. 12-bit RGB and YCbCr 4:4:4 Separate Sync Data Mapping

Pin Name	24-bit			
	RGB		YCbCr	
	First Edge	Second Edge	First Edge	Second Edge
D0	B0	G4	Cb0	Y4
D1	B1	G5	Cb1	Y5
D2	B2	G6	Cb2	Y6
D3	B3	G7	Cb3	Y7
D4	B4	R0	Cb4	Cr0
D5	B5	R1	Cb5	Cr1
D6	B6	R2	Cb6	Cr2
D7	B7	R3	Cb7	Cr3
D8	G0	R4	Y0	Cr4
D9	G1	R5	Y1	Cr5
D10	G2	R6	Y2	Cr6
D11	G3	R7	Y3	Cr7
D12	NC	NC	NC	NC
D13	NC	NC	NC	NC
D14	NC	NC	NC	NC
D15	NC	NC	NC	NC
D16	NC	NC	NC	NC
D17	NC	NC	NC	NC
D18	NC	NC	NC	NC
D19	NC	NC	NC	NC
D20	NC	NC	NC	NC
D21	NC	NC	NC	NC
D22	NC	NC	NC	NC
D23	NC	NC	NC	NC
Hsync	Hsync	Hsync	Hsync	Hsync
Vsync	Vsync	Vsync	Vsync	Vsync
DE	DE	DE	DE	DE

7. Design Guidelines

7.1. Power Supplies Decoupling

Designers should include the decoupling and bypass capacitors at each power signal in the layout. These are shown schematically in [Figure 7.1](#). Place these components as close as possible to the input processor differential signals, and avoid routing the differential signals through vias. [Figure 7.2](#) is the representative of the various types of power connections on the input processor.

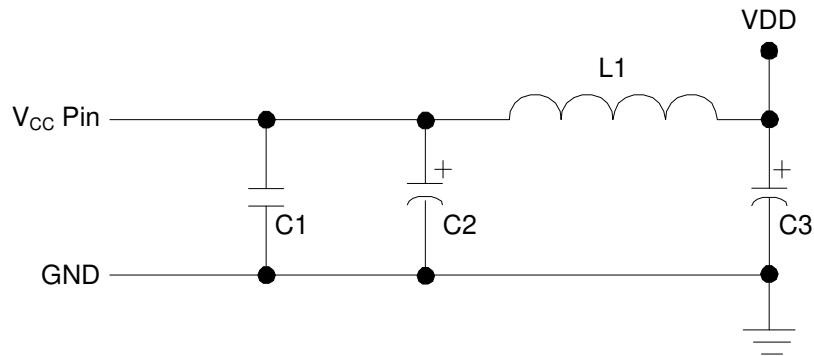


Figure 7.1. Decoupling and Bypass Schematic

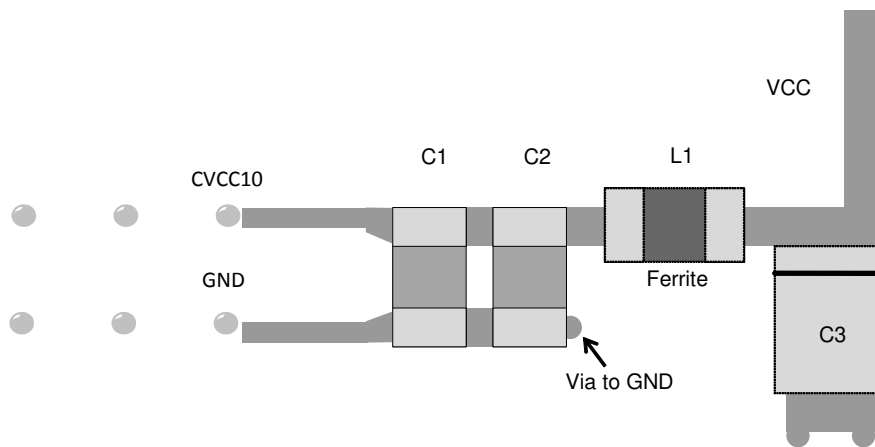


Figure 7.2. Decoupling and Bypass Capacitor Placement

Connections in one group, such as CVCC10, can share C2, C3, and the ferrite, with each ball having a separate C1 placed as close to the ball as possible.

7.2. ESD Protection

The SiI8788 input processor chip is designed to withstand electrostatic discharge during manufacturing. In applications where higher protection levels are required in the finished product, proper ESD precautions are recommended to avoid performance degradation or loss of functionality.

7.3. EMI Considerations

Electromagnetic interference is a function of board layout, shielding, receiver component operating voltage, frequency of operation, and so on. When attempting to control emissions, do not place any passive components on the differential signal lines (except for the ESD protection and common mode choke described earlier). Lattice Semiconductor recommends the use of a metal shielding can over the SiI8788 chip and the traces going to the connector. The PCB ground plane should extend unbroken under as much of the input processor chip and associated circuitry as possible, with all ground signals of the chip using a common ground.

7.4. Typical Circuit Connection

Representative circuits for applications of the SiI8788 chip are shown in Figure 7.3. For a detailed review of your intended circuit implementation, contact your Lattice Semiconductor representative circuits. Figure 7.3 shows the general bus interconnection between the host processor and the SiI8788 device. Either the INT output can be connected as a hardware interrupt signal to the processor, or the processor can poll the registers to determine if any of the interrupts have been triggered.

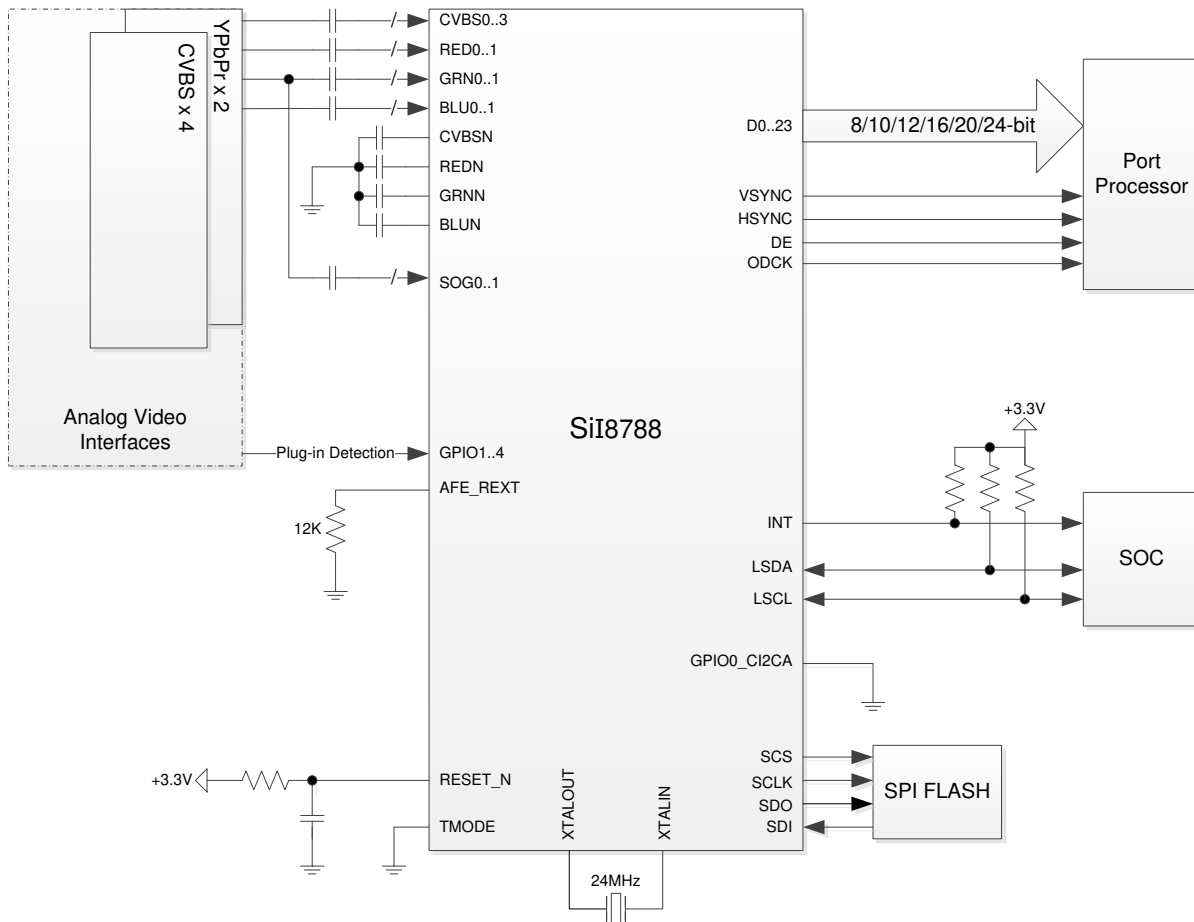


Figure 7.3. Typical Circuit Schematic

8. Packaging

8.1. ePad Requirements

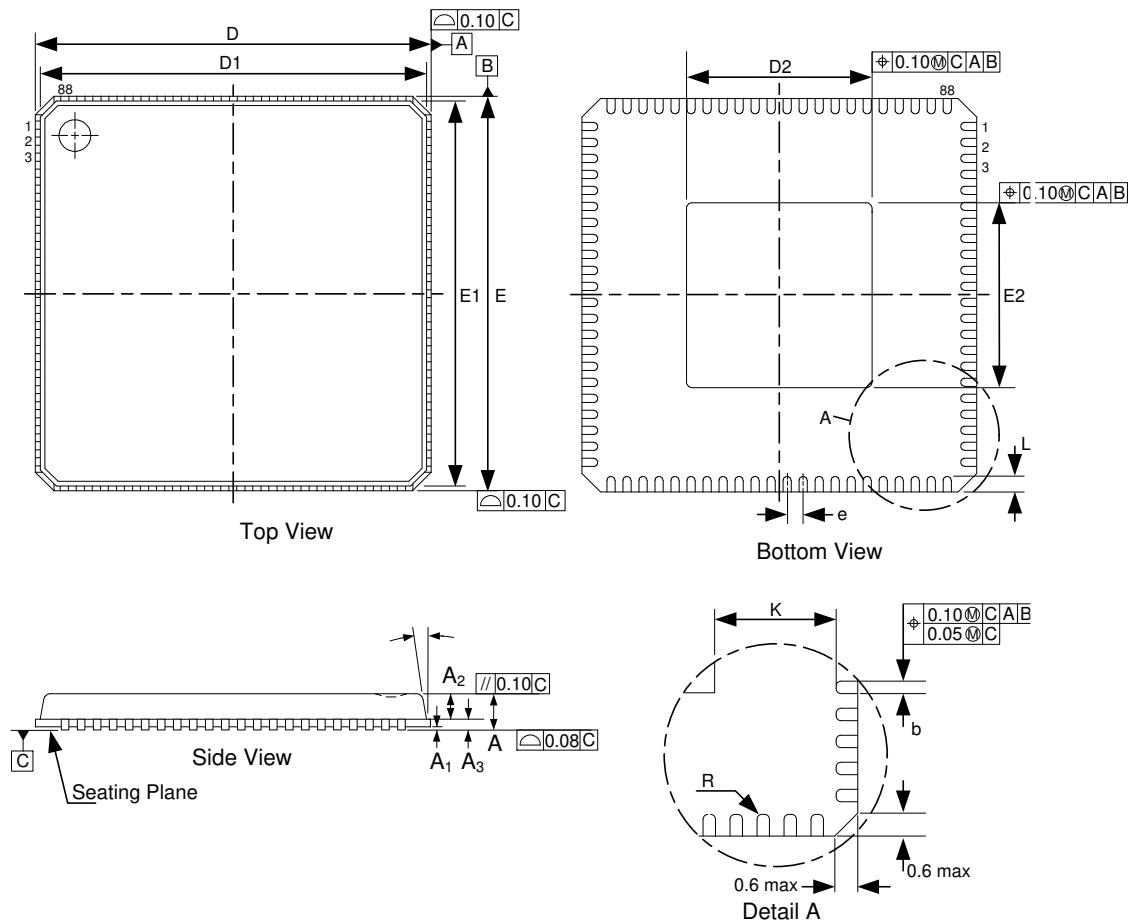
The SiI8788 input processor chip is packaged in 88-pin QFN package with an exposed pad (ePad) that is used for the electrical ground of the device and for improved thermal transfer characteristics. The ePad dimensions are 5.60 mm × 5.60 mm ± 0.15 mm. Soldering the ePad to the ground plane of the PCB is required to meet package power dissipation requirements at full speed operation, and to correctly connect the chip circuitry to electrical ground. A clearance of at least 0.25 mm should be designed on the PCB between the edge of the ePad and the inner edges of the lead pads to avoid the possibility of electrical shorts.

The thermal land area on the PCB may use thermal vias to improve heat removal from the package. These thermal vias also double as the ground connections of the chip and must attach internally in the PCB to the ground plane. An array of vias should be designed into the PCB beneath the package. For optimum thermal performance, the via diameter should be 12 mils to 13 mils (0.30 mm to 0.33 mm) and the via barrel should be plated with 1-ounce copper to plug the via. This design helps to avoid any solder wicking inside the via during the soldering process, which may result in voids in solder between the pad and the thermal land. If the copper plating does not plug the vias, the thermal vias can be tented with solder mask on the top surface of the PCB to avoid solder wicking inside the via during assembly. The solder mask diameter should be at least 4 mils (0.1 mm) larger than the via diameter.

Package stand-off when mounting the device also needs to be considered. For a nominal stand-off of approximately 0.1 mm the stencil thickness of 5 mils to 8 mils should provide a good solder joint between the ePad and the thermal land.

[Figure 8.1](#) on the next page shows the dimensions of the SiI8788 package.

8.2. Package Dimensions



JEDEC Package Code MO-2206

Item	Description	Min	Typ	Max
A	Thickness	0.80	0.85	0.90
A1	Stand-off	0.00	0.02	0.05
A2	Body thickness	0.60	0.65	0.70
A3	Base thickness	0.20 REF		
D	Footprint	9.90	10.00	10.10
E	Footprint	9.90	10.00	10.10
D1	Body size	9.75 BSC		
E1	Body size	9.75 BSC		

Item	Description	Min	Typ	Max
D2	ePad	5.45	5.60	5.75
E2	ePad	5.45	5.60	5.75
b	Lead width	0.15	0.20	0.25
e	Lead pitch	0.40 BSC		
L	Lead foot length	0.30	0.40	0.50
Ø	Mold angle	0°	—	14°
R	Lead radius, inside	0.075	—	—
K	ePad clearance	0.20	—	—

Note: Dimensions in mm.

Figure 8.1. 88-Pin QFN Package Diagram

9. Marking Specification

Figure 9.1 shows the markings of the SiI8788 package. This drawing is not to scale.

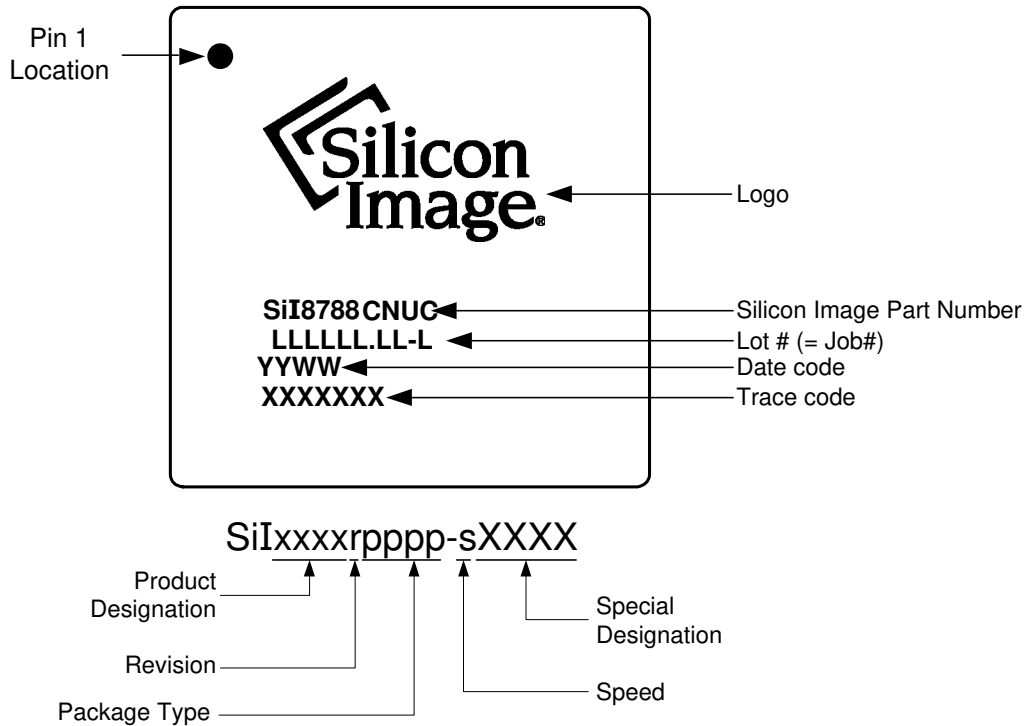


Figure 9.1. Marking Diagram

9.1. Ordering Information

Production Part Numbers:

Device	Part Number
Analog Front End Video Processor with Parallel Video Output	SiI8788CNUC

The universal package can be used in lead-free and ordinary process lines.

References

Standards Documents

This is a list of the standards abbreviations appearing in this document.

Abbreviation	Standards publication, organization, and date
HDMI	<i>High Definition Multimedia Interface</i> , Revision 1.4, HDMI Consortium
HCTS	<i>HDMI Compliance Test Specification</i> , Revision 1.4, HDMI Consortium
MHL	<i>MHL (Mobile High-definition Link) Specification</i> , Revision 2.1, MHL, LLC
HDCP	<i>High-bandwidth Digital Content Protection</i> , Revision 1.4, Digital-Content Protection, LLC
DVI	<i>Digital Visual Interface</i> , Revision 1.0, Digital Display Working Group; April 1999
E-EDID	<i>Enhanced Extended Display Identification Data Standard</i> , Release A Revision 1, VESA; Feb. 2000
CEA-861-D	<i>A DTV Profile For Uncompressed High Speed Digital Interfaces</i> , EIA/CEA; July 2006
EDDC	<i>Enhanced Display Data Channel Standard</i> , Version 1, VESA; September 1999
I ² C	<i>The I²C Bus Specification</i> , Version 2.1, Philips Semiconductors, January 2000

For information on the specifications that apply to this document, contact the responsible standards groups appearing on this list.

Standards Group	Web URL
ANSI/EIA/CEA	http://global.ihs.com
VESA	http://www.vesa.org
DVI	http://www.ddwg.org
HDCP	http://www.digital-cp.com
HDMI	http://www.hdmi.org
MHL	http://www.mhlconsortium.org

Lattice Semiconductor Documents

This is a list of the related documents that are available from your Lattice Semiconductor sales representative. *The Programmer Reference requires an NDA with Lattice Semiconductor.*

Document	Title
Sil-PR-1093	<i>Sil8788 Analog Video Processor Programmer Reference</i>
Sil-AN-0129	<i>PCB Layout Guidelines: Designing with Exposed Pads</i>
Sil-PR-0041	<i>CEC Programming Interface (CPI) Programmer's Reference</i>
Sil-AN-1108	<i>Sil8784 and Sil8788 Supported SPI Flash Memories</i>

Revision History

Revision A, March 2016

Updated to latest template.

Revision A, September 2014

First production release.



7th Floor, 111 SW 5th Avenue

Portland, OR 97204, USA

T 503.268.8000

www.latticesemi.com