

P	LTR	REVISIONS ÄNDERUNGEN DESCRIPTION BESCHREIBUNG	DATE	DWN	APVD
	A2	DESCRIPTION CORRECTED FROM SOLDER TO SCREW TERMINAL IN TITLE BLOCK	13NOV2014	CR	JK

1 MATERIAL: ITEM NO. 1: HOUSING - PA  
 ITEM NO. 2: CONTACT BODY - PA  
 ITEM NO. 3: CONTACT - CuZn (brass)

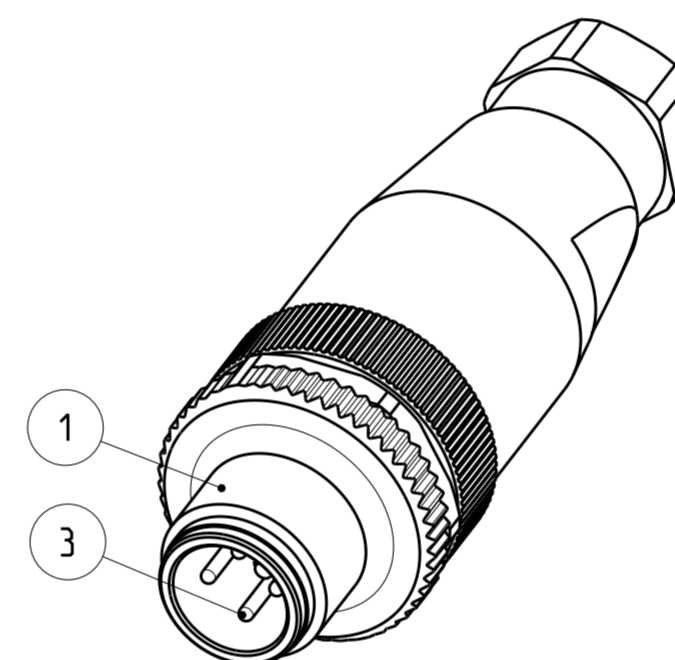
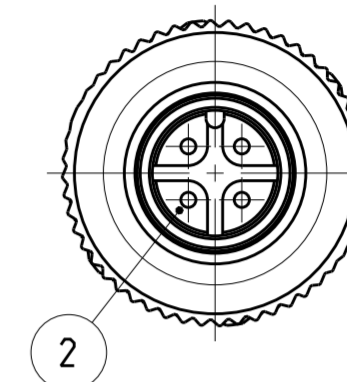
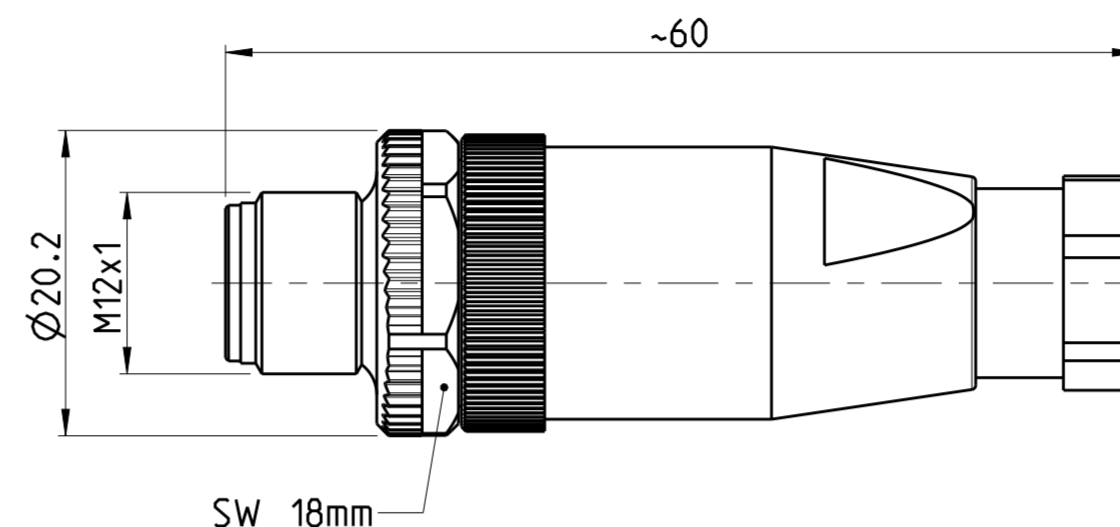
2 CONTACT FINISH - CuSnZn (Optalloy)

3 CONTACT FINISH - Au (gold)

4 ALL DIMENSIONS ARE FOR NOMINAL REFERENCE ONLY UNLESS OTHERWISE STATED

5 MEASUREMENT REFERENCE ONLY

6 PACKAGING: 1 PIECE IN A BAG



TECHNICAL DATA	2-2271110-1	2-2271110-2	3-2271110-1	3-2271110-2	4-2271110-1	4-2271110-2	5-2271110-2	6-2271110-2
RATED VOLTAGE	250V	250V	250V	250V	125V	125V	60V	30V
RATED IMPULSE VOLTAGE	2500V	2500V	2500V	2500V	1500V	1500V	800V	500V
POLLUTION DEGREE	3	3	3	3	3	3	3	3
OVERVOLTAGE CATEGORY	II	II	II	II	II	II	II	II
MATERIAL GROUP	III	III	III	III	III	III	III	III
RATED CURRENT	4A	4A	4A	4A	4A	4A	2A	2A
VOLUME RESISTIVITY	≤ 8mΩ	≤ 8mΩ	≤ 8mΩ	≤ 8mΩ	≤ 8mΩ	≤ 8mΩ	≤ 3mΩ	≤ 3mΩ
DEGREE OF PROTECTION	IP67	IP67	IP67	IP67	IP67	IP67	IP67	IP67
UPPER TEMPERATURE	+85 °C	+85 °C	+85 °C	+85 °C	+85 °C	+85 °C	+85 °C	+85 °C
LOWER TEMPERATURE	-40 °C	-40 °C	-40 °C	-40 °C	-40 °C	-40 °C	-40 °C	-40 °C

PIN ARRANGEMENT  
A-CODING (SCALE 2:1)

2-2271110-1	2-2271110-2	3-2271110-1	3-2271110-2
4-2271110-1	4-2271110-2	5-2271110-2	6-2271110-2

3-1 AS SHOWN  
WIE GEZEICHNET

CABLE FEED-THROUGH mm	WIRES AWG / mm <sup>2</sup>	MATERIAL	NUMBER OF POLES	TE-PART-NO.
6-8	24 / 0.25mm <sup>2</sup>	1 3	12	6-2271110-2
6-8	20 / 0.50mm <sup>2</sup>	1 3	8	5-2271110-2
6-8	18 / 0.75mm <sup>2</sup>	1 2	5	4-2271110-2
4-6	18 / 0.75mm <sup>2</sup>	1 2	5	4-2271110-1
6-8	18 / 0.75mm <sup>2</sup>	1 2	4	3-2271110-2
4-6	18 / 0.75mm <sup>2</sup>	1 2	4	3-2271110-1
6-8	18 / 0.75mm <sup>2</sup>	1 2	3	2-2271110-2
4-6	18 / 0.75mm <sup>2</sup>	1 2	3	2-2271110-1

DIESE ZEICHNUNG IST EIN KONTROLLIERTES DOKUMENT. BEMASSUNGEN UND TOLERANZEN GEMAESS GPS (ISO STANDARDS).

THIS DRAWING IS A CONTROLLED DOCUMENT. DIMENSIONING AND TOLERANCING PER GPS (ISO STANDARDS).

DIMENSIONS: MASSEINHEITEN: (mm)	TOLERANCES UNLESS OTHERWISE SPECIFIED: ALLGEMEINTOLERANZEN	DWN YASHKUMAR 14 APR 2014 CHK M.STRELOW 14 APR 2014 APVD C.SCHRETLINGER 14 APR 2014
MATERIAL	ANGLES/WINKEL ± FINISH/OBERFLÄCHE/FARBE	NAME M12 MALE STRAIGHT, FIELD INSTALLABLE, UNSHIELDED CONNECTOR, SCREW TERMINALS, A-CODING
		SIZE A2 CAGE CODE 00779 DRAWING NO. C-2271110
		Customer Drawing /KUNDENZEICHNUNG SCALE MASSSTAB 2:1 SHEET BLATT 1 OF VOM 1 REV A2

SIZE ISO 14405 (E)