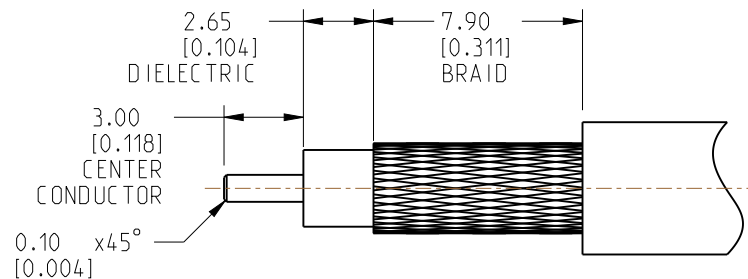


NOTES:

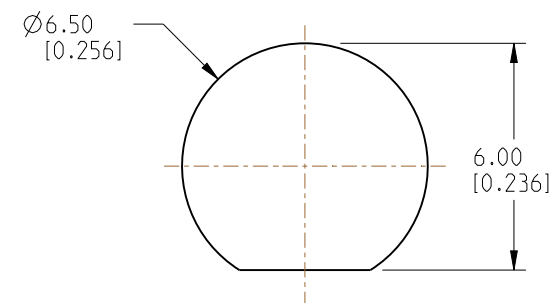
- MATERIALS AND FINISHES:**  
 BODY - BRASS, TIN-NICKEL ALLOY PLATING  
 HEX NUT & LOCKWASHER - STAINLESS STEEL, TIN-NICKEL ALLOY PLATING  
 CONTACT - BeCu, GOLD PLATING  
 INSULATOR - PTFE, NATURAL  
 FERRULE - COPPER, TIN-NICKEL ALLOY PLATING  
 GASKET & O-RING - SILICONE RUBBER, RED
- ELECTRICAL:**  
 A. IMPEDANCE: 50 OHMS  
 B. FREQUENCY RANGE: DC - 6 GHz  
 C. VSWR: 1.30 MAX.  
 D. DIELECTRIC WITHSTANDING VOLTAGE: 1000 VRMS, MIN.
- MECHANICAL:**  
 A. DURABILITY: 500 CYCLES MIN.  
 B. TEMPERATURE RANGE: -65°C TO +165°C  
 C. SEALING: MEETS IP-67 REQUIREMENTS IN UNMATED CONDITION.  
 D. SALT SPRAY PER MIL-STD-202, METHOD 101, WITH FOLLOWING PARAMETERS:  
 1) TEST CONDITION B  
 2) 5% SALT SOLUTION  
 3) CYCLE REPEATED TO 720 HOURS
- PACKAGING:**  
 A. QUANTITY: SINGLE PACK  
 B. MARKING: PACKAGING TO BE MARKED  
 "AMPHENOL RF, 901-10746-EE AND DATE CODE"

- CABLE ASSEMBLY INSTRUCTIONS:**  
 A. TRIM CABLE AS SHOWN.  
 B. SLIDE FERRULE ONTO CABLE.  
 C. SOLDER CABLE CENTER CONDUCTOR TO CONTACT.  
 D. INSERT CABLE WITH DIELECTRIC ENTERING CONNECTOR AND Braid OVER KNURL.  
 E. CRIMP FERRULE OVER Braid WITH 0.216" HEX.

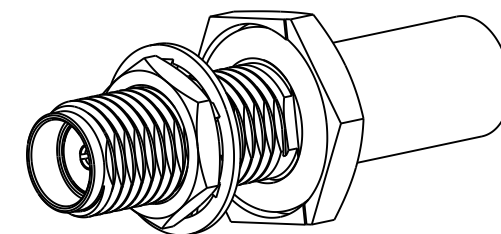
6 SHOWS CABLE ENTRY DIMENSIONS.



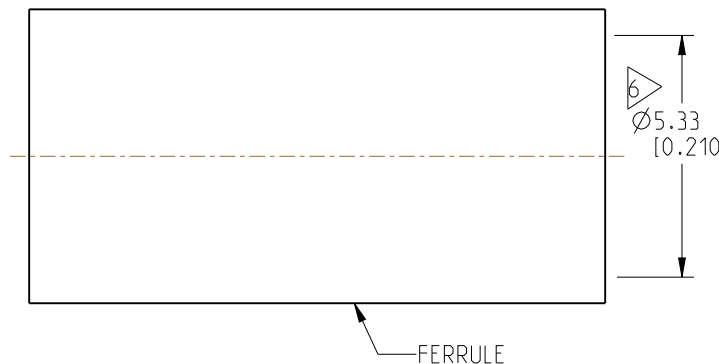
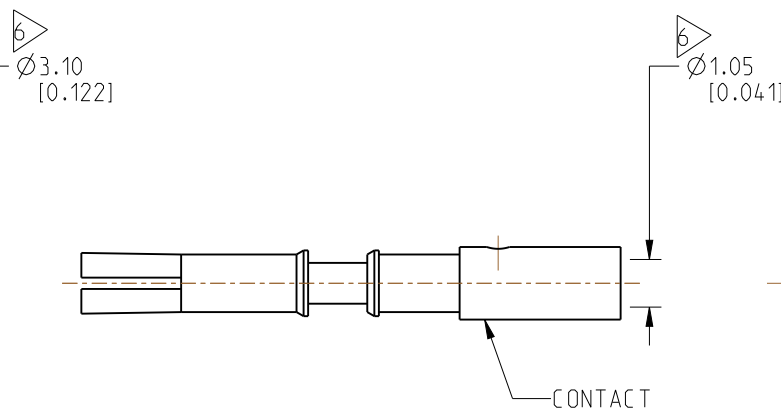
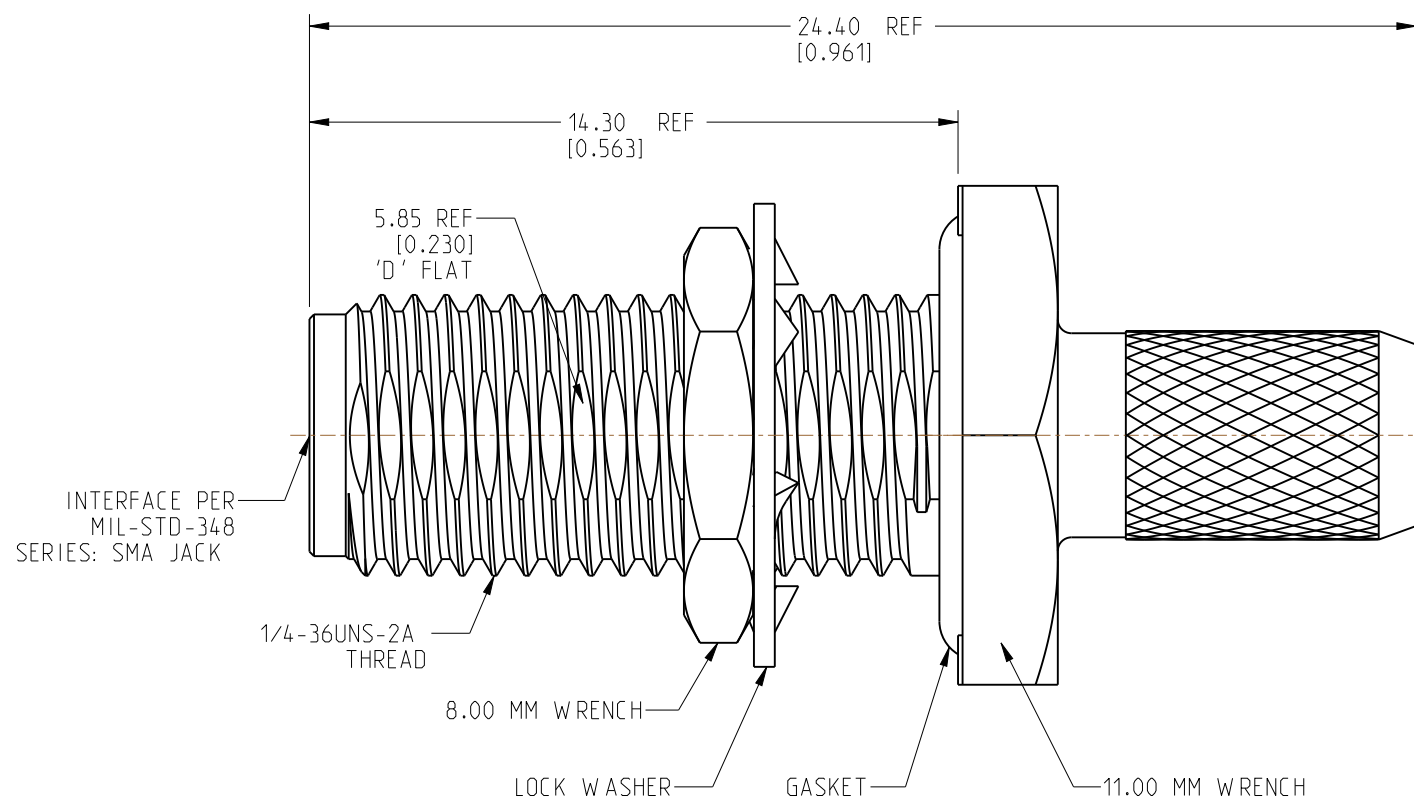
**RECOMMENDED CABLE STRIPPING DIMENSIONS**



**RECOMMENDED MOUNTING HOLE DIMENSIONS**



SCALE 2.500



**CUSTOMER OUTLINE DRAWING**  
 ALL OTHER SHEETS ARE FOR INTERNAL USE ONLY

NOTICE: These drawings, specifications, or other data (1) are, and remain the property of Amphenol corp. (2) must be returned upon request; and (3) are confidential and not to be disclosed to any person other than those to whom they are given by Amphenol Corp. The furnishing of these drawings, specifications, or other data by Amphenol Corp., or to any other person to anyone for any purpose is not to be regarded by implication or otherwise in any manner licensing, granting rights to permitting such holder or any other person to manufacture, use or sell any product, process or design, patented or otherwise, that may in any way be related to or disclosed by said drawings, specifications, or other data.

UNLESS OTHERWISE SPECIFIED DIMENSIONS ARE METRIC (INCHES) AND TOLERANCES ARE:  
 <0.5mm = ±0.05mm [-0.020 = ±0.002]  
 0.5 - 6mm = ±0.1mm [-0.020 - 0.236 = ±0.004]  
 >6.00 - 30mm = ±0.2mm [-0.236 - 1.181 = ±0.008]  
 >30.00 - 120mm = ±0.3mm [-1.181 - 4.725 = ±0.012]

MATERIAL: SEE NOTES  
 ENGR.1: KARTHIK  
 ENGR.2:  
 DATE: 24-JUN-22

TITLE: SMA STR BHD JACK IP 67 FOR RG 58 CABLE EXTREME EXPOSURE  
 SHEET NO. 2 OF 2  
 SCALE: 6.0:1.0

**Amphenol RF**  
 DRAWING NO. 901-10746-EE  
 ITEM NO. 901-10746-EE  
 PART NO. 901-10746-EE  
 REV: A

THIRD ANGLE PROJ.

REFERENCE: 901-10746  
 EAR#: 11372

ANGLES = ±1°