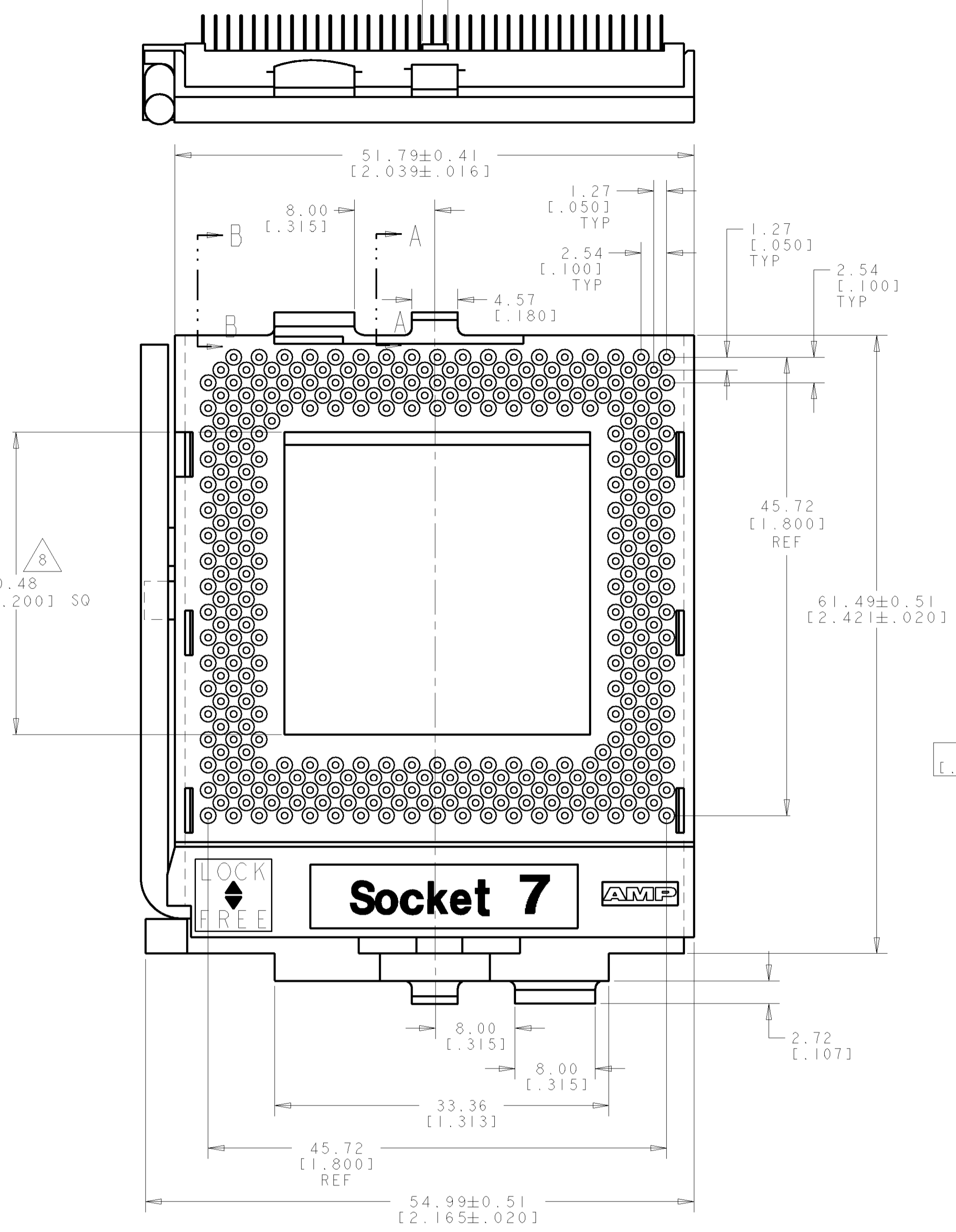
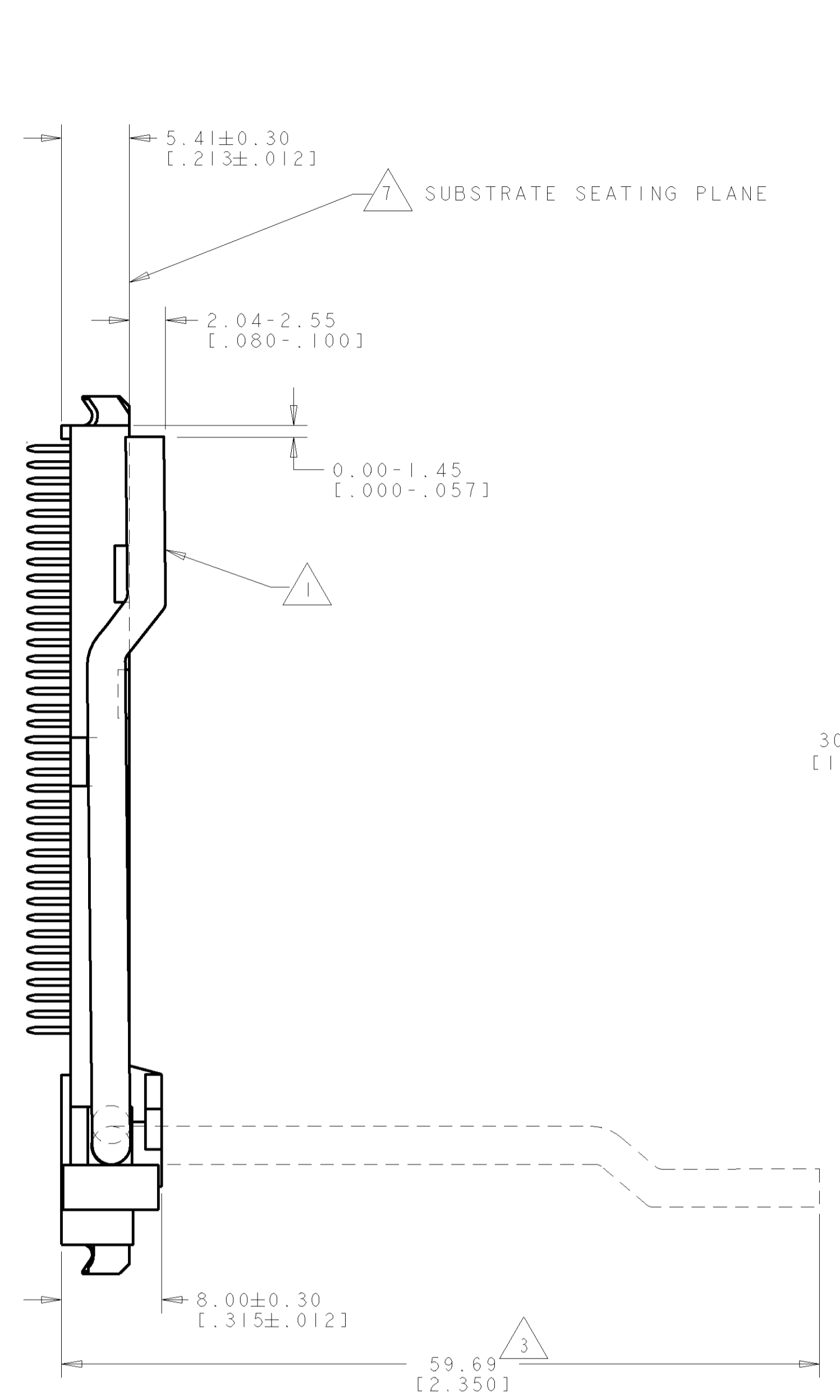
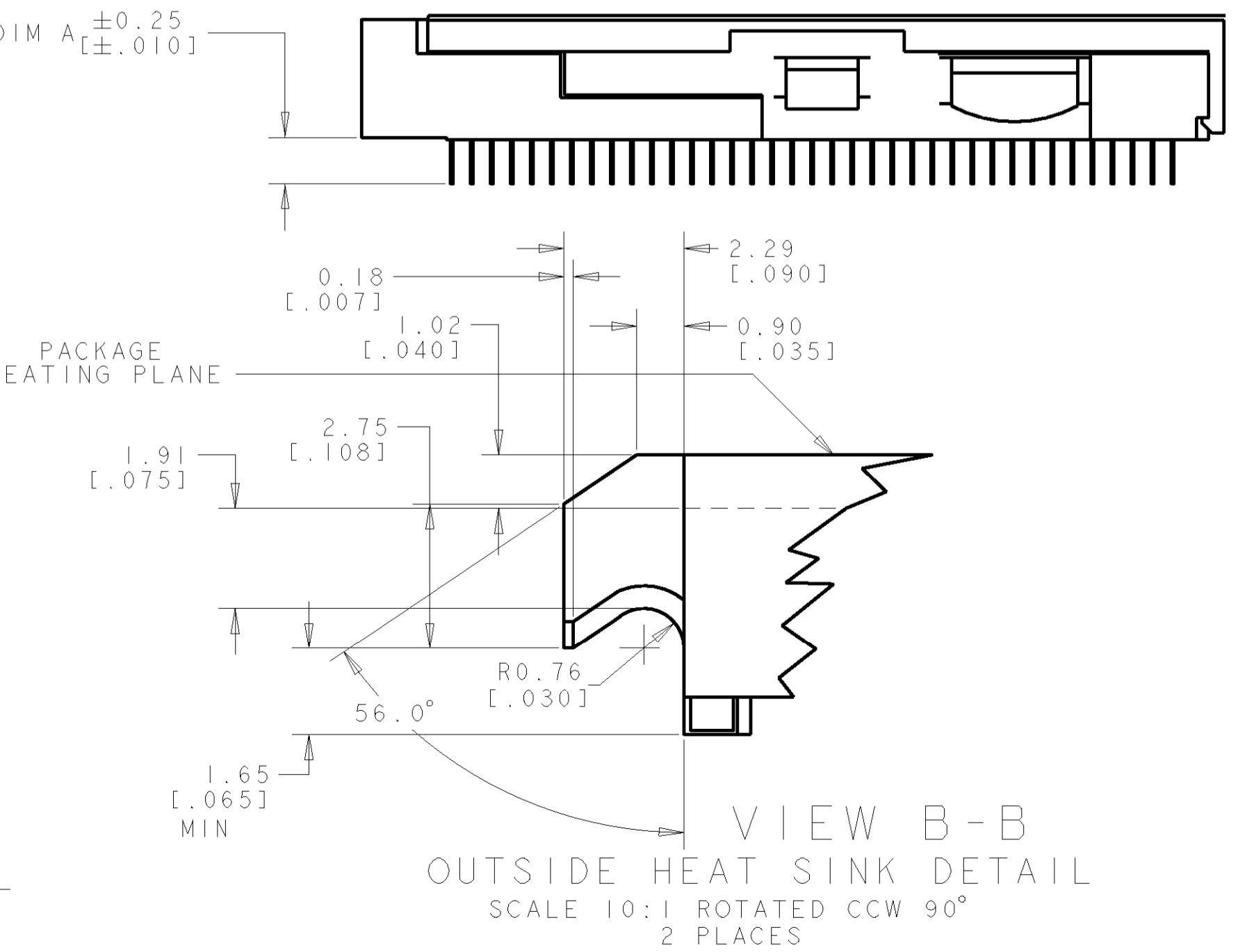
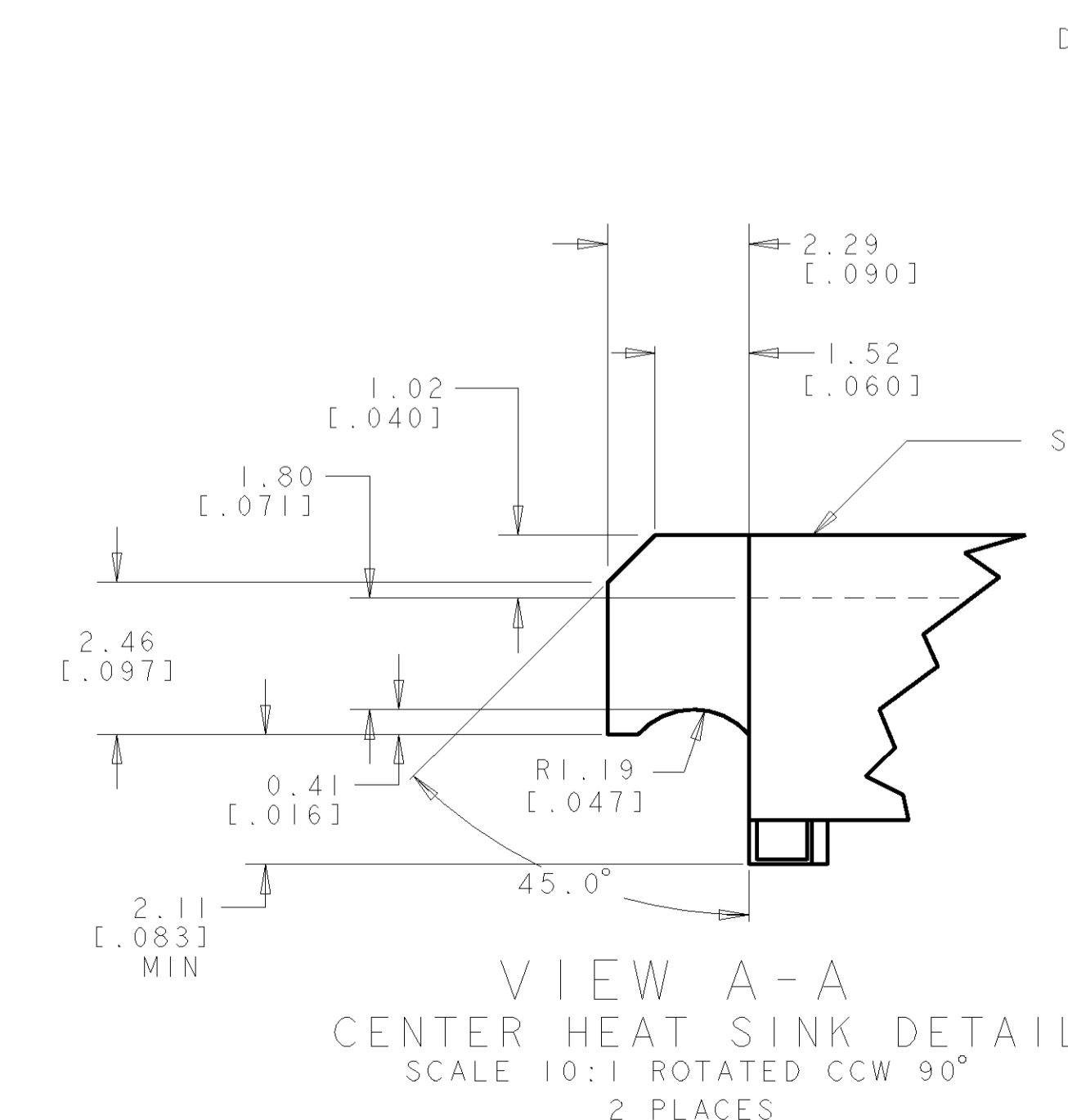
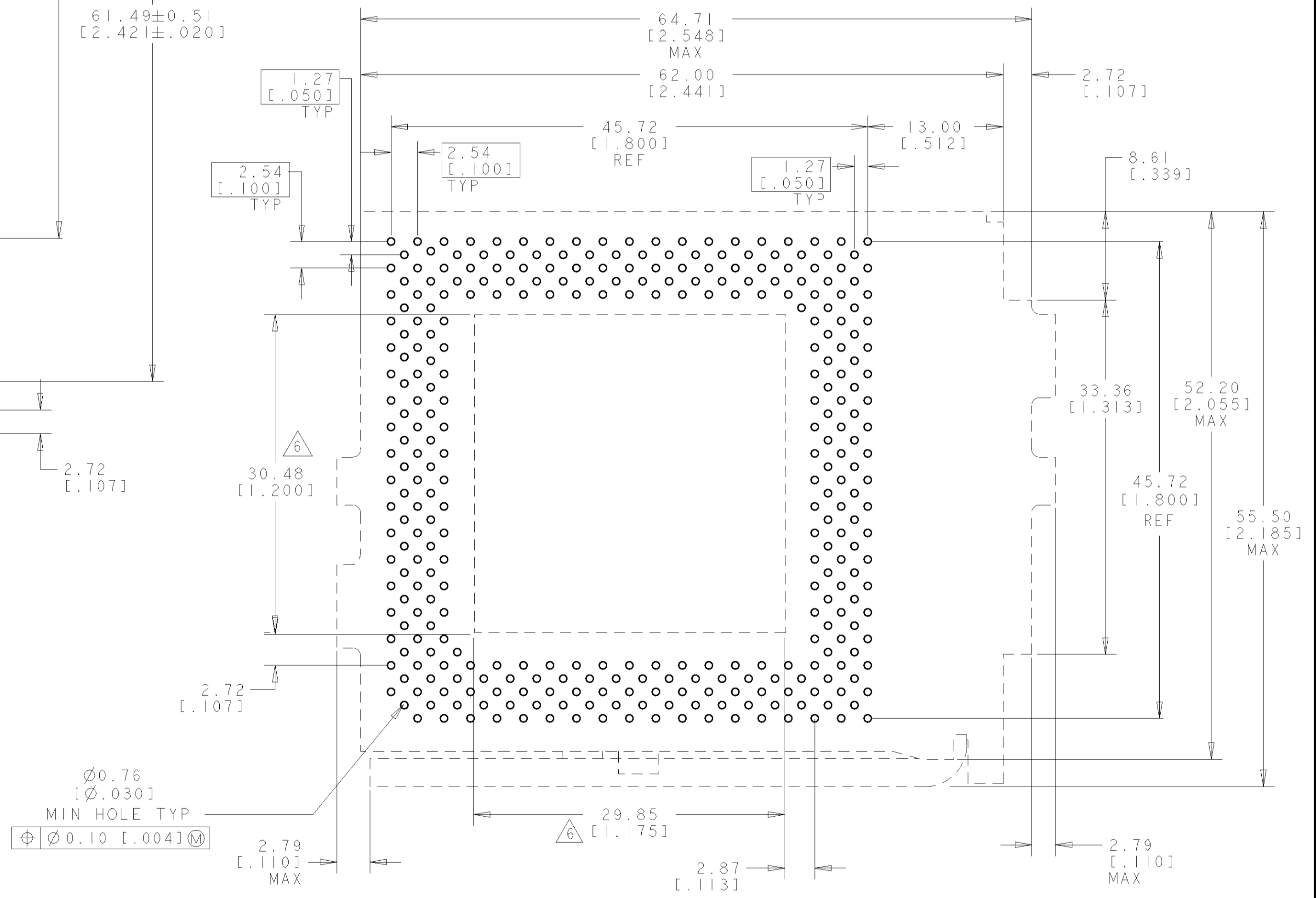


LOC	BY	DATE	DESCRIPTION	DATE	BY	APPD
1	LDY		REVISED PER FP00-0027-02	12AUG02	LWY	LSF



- 1 HANDLE IS SHOWN IN THE 'ON' POSITION
- 2 SOCKET WILL ACCEPT ANY P.G.A. PACKAGE WITH A PIN  $\varnothing 0.46 \pm .05$  [ $\varnothing 0.018 \pm .002$ ] AND A LENGTH OF 2.54-3.30 [.100-.130] LOCATED ON TRUE POSITION OF 0.20 [.008] M
- 3 MAX DIMENSION INCLUDING HANDLE
- 4 MATERIAL; HOUSING AND COVER ARE THERMOPLASTIC. COLOR-NATURAL. CONTACTS ARE COPPER ALLOY. ACTUATOR IS STAINLESS STEEL.
- 5 FINISH; CONTACT AREA-0.00076 [.000030] MIN. THICK GOLD OVER 0.00127 [.000050] MIN. THICK NICKEL PLATE. SOLDER TAIL-0.00381 [.000150] MIN. THICK TIN-LEAD OVER 0.00127 [.000050] MIN. THICK NICKEL PLATE. CONTACT AREA SHALL BE FREE OF LUBRICANT.
- 6 DIMENSIONS INDICATE MIN. OPEN CENTER THROUGH SOCKET.
- 7 SEATING PLANE OF PGA PACKAGE IN SOCKET IS ON CERAMIC SURFACE OF PACKAGE.
- 8 DIMENSION INDICATES MIN. HOLE IN COVER OF SOCKET.



TRAY PACKAGED NUMBER OF SOCKETS PER SHIPPING BOX	DIM A	POSITION	PART NUMBER
90	2.79 [.110]	321	916716-4
90	2.79 [.110]	321	916716-3
90	2.36 [.093]	321	916716-2
90	2.03 [.080]	321	916716-1

DIMENSIONS: mm (INCHES) TOLERANCES UNLESS OTHERWISE SPECIFIED: 0 PLC ± 1 PLC ± 2 PLC ± 3 PLC ± 4 PLC ± ANGLES ±		DWN R. TALLEY 7-16-96 CHK A. HOLT 7-16-96 NAME SOCKET ASSY, SINGLE LEVER ZIF, PGA, 19 X 19 GRID, LOW PROFILE, RIGHT HAND SIZE A1 CAGE CODE 00779 DRAWING NO. C-916716 SCALE 3:1 SHEET 1 OF 1 REV F	
MATERIAL 47 FINISH 57		AMP MANUFACTURING (SINGAPORE) PTE. LTD. CUSTOMER DRAWING	