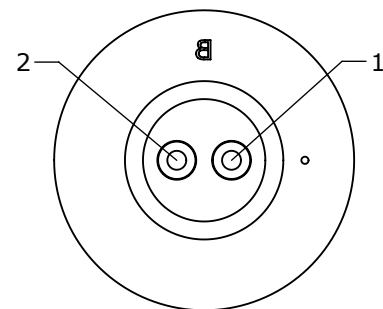
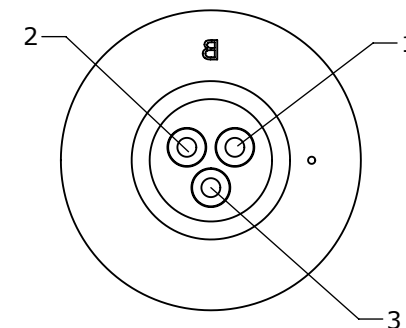


PART NO.	NO. OF PINS
17281-2SG-300	2
17281-3SG-300	3

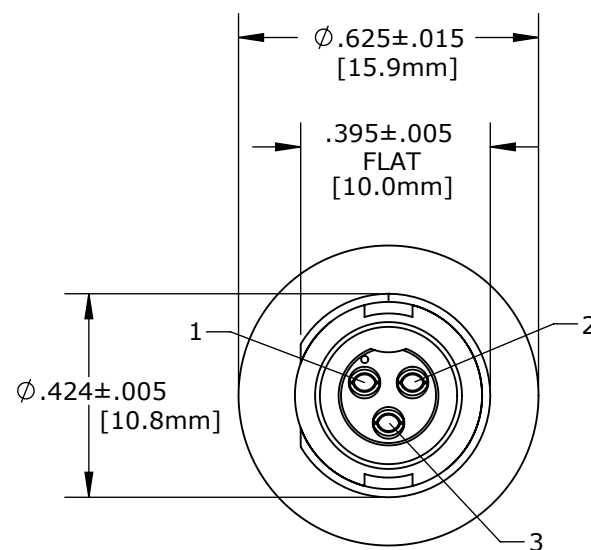
- NOTES:
1. ALL PARTS ARE TO BE BULK PACKED.
 2. CONTACTS ARE INSERTED INTO PANEL CONNECTOR
 3. SEE DRAWING HPMCSTD FOR HOLE PATTERN



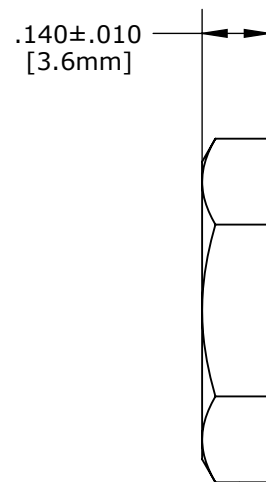
WIRE VIEW
17281-2SG-300



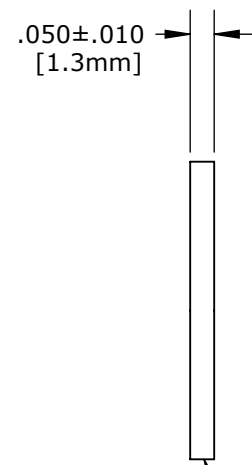
WIRE VIEW
17281-3SG-300



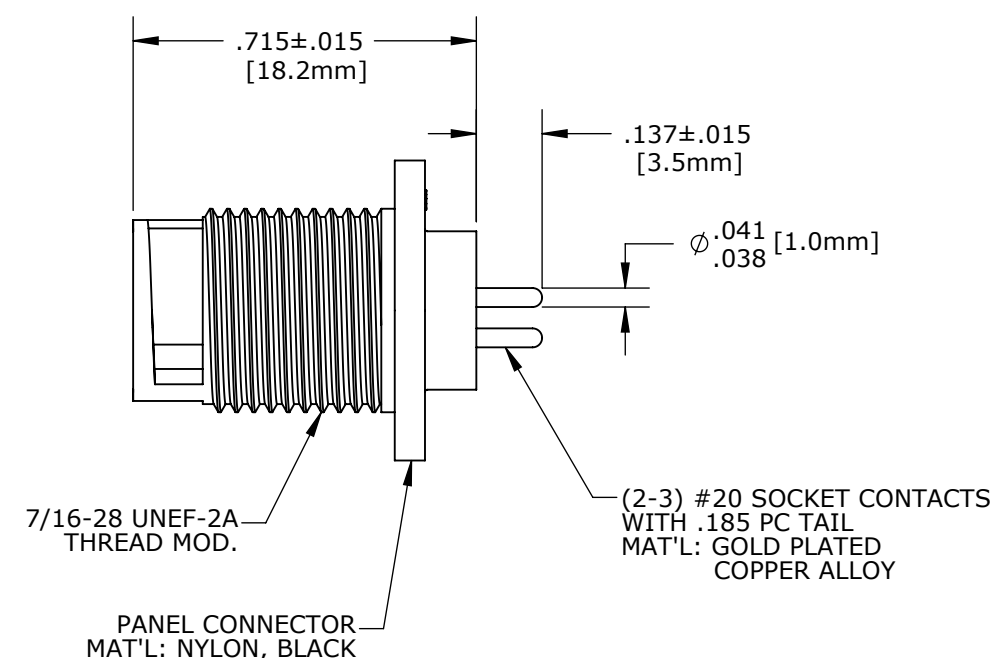
FACE VIEW
17281-3SG-300 SHOWN



HEX NUT
MAT'L: NYLON, BLACK
5/8 IN. ACROSS FLATS



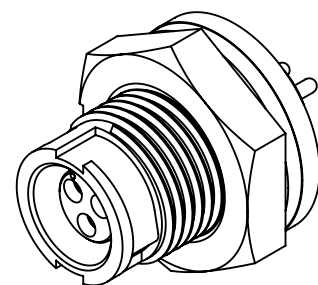
GASKET
MAT'L: RUBBER, BLACK



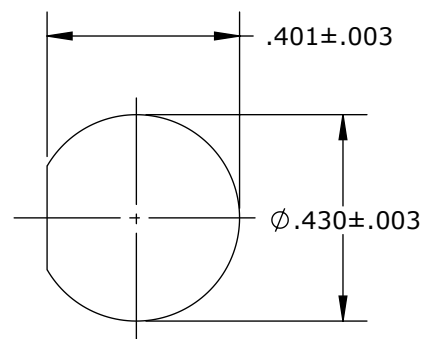
7/16-28 UNEF-2A
THREAD MOD.

PANEL CONNECTOR
MAT'L: NYLON, BLACK

(2-3) #20 SOCKET CONTACTS
WITH .185 PC TAIL
MAT'L: GOLD PLATED
COPPER ALLOY



SHOWN ASSEMBLED KIT
FOR CUSTOMER REFERENCE ONLY
17281-3SG-300 SHOWN



**RECOMMENDED
PANEL CUT-OUT**

DIMENSIONS IN BRACKET [] ARE METRIC.

CUSTOMER APPROVAL

THIS DOCUMENT CONTAINS CONFIDENTIAL INFORMATION PROPRIETARY TO CONXALL CORPORATION. ANY REPRODUCTION, DISCLOSURE, OR USE OF THIS DOCUMENT /INFORMATION IS EXPRESSLY PROHIBITED UNLESS AUTHORIZED IN WRITING BY CONXALL CORPORATION.

APPROVED BY: _____

DATE: _____

RoHS COMPLIANT

A	AN	02-09-11	CREATED FAMILY DRAWING PER DOR 11-E149SL SUPERSEDED DWG. 17281-2SG-300 & 17281-3SG-300
REV.	INIT.	DATE	DESCRIPTION
	AN	02-09-11	ORIG. DRAWN BY: AN DATE: 02-09-11
ALL INFORMATION ILLUSTRATED IS THE PROPERTY OF "CONXALL CORPORATION." UNAUTHORIZED DUPLICATION OR DISTRIBUTION OF THIS DOCUMENT IS PROHIBITED.			 601 E. WILDWOOD VILLA PARK, IL 60181
ALL UNITS ARE IN FEET, INCHES, FRACTION OF INCHES AND DECIMALS.			
APPROVED BY: _____			TITLE: PANEL MOUNT ASSEMBLY (2-3) #20 SOCKET CONTACTS, PC TAIL MICRO-CON-X
SCALE	SIZE	SHEET	CUSTOMER: STANDARD PRODUCT
NTS	B	1 OF 1	
FILE:	DIRECTORY:	PART NUMBER:	REV
17281-XSG-300	SLW	17281-XSG-300	A

CUSTOMER PRINT

PART NUMBER: 17281-XSG-300