



- Features :
  - 2:1 wide input range
  - 4:1 wide input range(option)
  - 1500VDC I/O isolation
  - 3000VDC I/O isolation(option)
  - Built-in EMI filter
  - Protections: Short circuit / Overload
  - Cooling by free air convection
  - Six-sided shield metal case
  - 100% burn-in test
  - Low cost / High reliability
  - Approvals: FCC / EAC / CE / UKCA
  - 2 years warranty

■ GTIN CODE

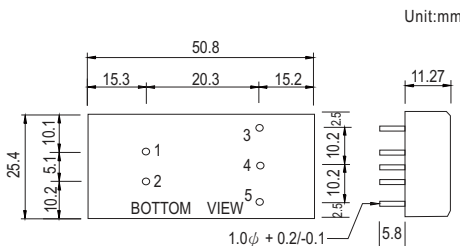
MW Search: <https://www.meanwell.com/serviceGTIN.aspx>



**SPECIFICATION**

ORDER NO.	SKE10A-05	SKE10B-05	SKE10C-05	SKE10A-12	SKE10B-12	SKE10C-12	SKE10A-15	SKE10B-15	SKE10C-15	SKE10A-24	SKE10B-24	SKE10C-24	
<b>OUTPUT</b>	DC VOLTAGE			12V			15V			24V			
	CURRENT RANGE			84 ~ 840mA			66.6 ~ 666mA			42 ~ 420mA			
	RATED POWER												10W
	RIPPLE & NOISE (max.) Note.2			60mVp-p			60mVp-p			80mVp-p			
	LINE REGULATION Note.3			±0.3%									
	LOAD REGULATION Note.4			±0.5%									
	VOLTAGE ACCURACY			±2.0%									
<b>INPUT</b>	SWITCHING FREQUENCY												200KHz min.
	VOLTAGE RANGE												A: 9 ~ 18VDC B: 18 ~ 36VDC C: 36 ~ 72VDC
	EFFICIENCY (Typ.)												78% 79% 80% 79% 81% 81% 80% 82% 82% 81% 82% 83%
	DC CURRENT			Full load A: 1100mA B: 530mA C: 270mA No load A: 28mA B: 16mA C: 8mA									
	FILTER												Pi network
<b>PROTECTION</b> (Note. 5)	OVER CURRENT												160% ~ 250% rated output power Protection type : Hiccup mode, recovers automatically after fault condition is removed
	SHORT CIRCUIT												All output equipped with short circuit Protection type : Hiccup mode, recovers automatically after fault condition is removed
	ENVIRONMENT												WORKING TEMP. -25 ~ +71°C (Refer to "Derating Curve") WORKING HUMIDITY 20% ~ 90% RH non-condensing STORAGE TEMP., HUMIDITY -25 ~ +105°C, 10 ~ 95% RH TEMP. COEFFICIENT ±0.03% / °C (0 ~ 50°C) VIBRATION 10 ~ 500Hz, 2G 10min./1cycle, period for 60min. each along X, Y, Z axes
<b>SAFETY &amp; EMC</b>	SAFETY STANDARDS												EAC TP TC 020/2011 approved
	WITHSTAND VOLTAGE												I/P-O/P:1.5KVDC
	ISOLATION RESISTANCE												I/P-O/P: 100M Ohms / 500VDC / 25°C / 70% RH
	EMC EMISSION												Compliance to BS EN/EN55032 Class A, FCC part 15 Class A, EAC TP TC 020
	EMC IMMUNITY												Compliance to BS EN/EN61000-4-2,3,4,5,6,8, light industry level, criteria A, EAC TP TC 020
<b>OTHERS</b>	MTBF												500Khrs min. MIL-HDBK-217F(25°C)
	DIMENSION												50.8*25.4*11.2mm or 2**1**0.44" inch (L*W*H)
	PACKING												31.2g ; 10pcs/per tube, 400pcs/40 tube/per carton

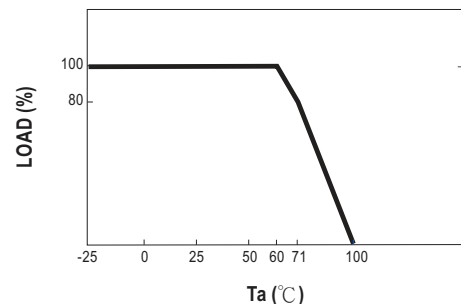
■ Mechanical Specification



■ Pin Configuration

Pin no.	Output Single
1	+Vin
2	-Vin
3	+Vout
4	No Pin
5	-Vout

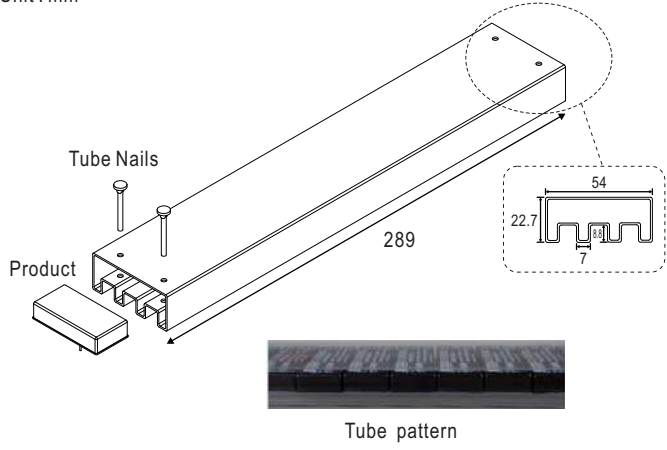
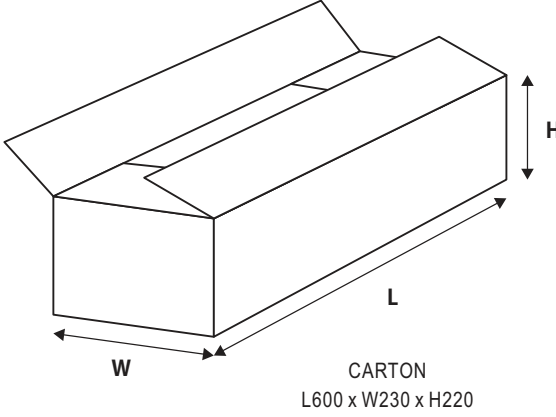
■ Derating Curve



**NOTE**

- All parameters are specified at normal input, rated load, 25°C 70% RH ambient.
  - Ripple & noise are measured at 20MHz by using a 12" twisted pair terminated with a 0.1uf & 47uf capacitor.
  - Line regulation is measured from low line to high line at rated load.
  - Load regulation is measured from 10% to 100% rated load.
  - Please prevent the converter from operating in overload or short circuit condition for more than 30 seconds.
- ※ Product Liability Disclaimer : For detailed information, please refer to <https://www.meanwell.com/serviceDisclaimer.aspx>

**Packing**

Standard Tube Packing	MPQ Per Tube (PCS)	One Tube G.W.	Max. Q'TY/ Carton(PCS)	One Carton G.W.
<p>Unit : mm</p>  <p>Tube pattern</p>  <p>CARTON L600 x W230 x H220</p>	10	400g	400	16.8Kg

**Installation Manual**

Please refer to : <http://www.meanwell.com/manual.html>