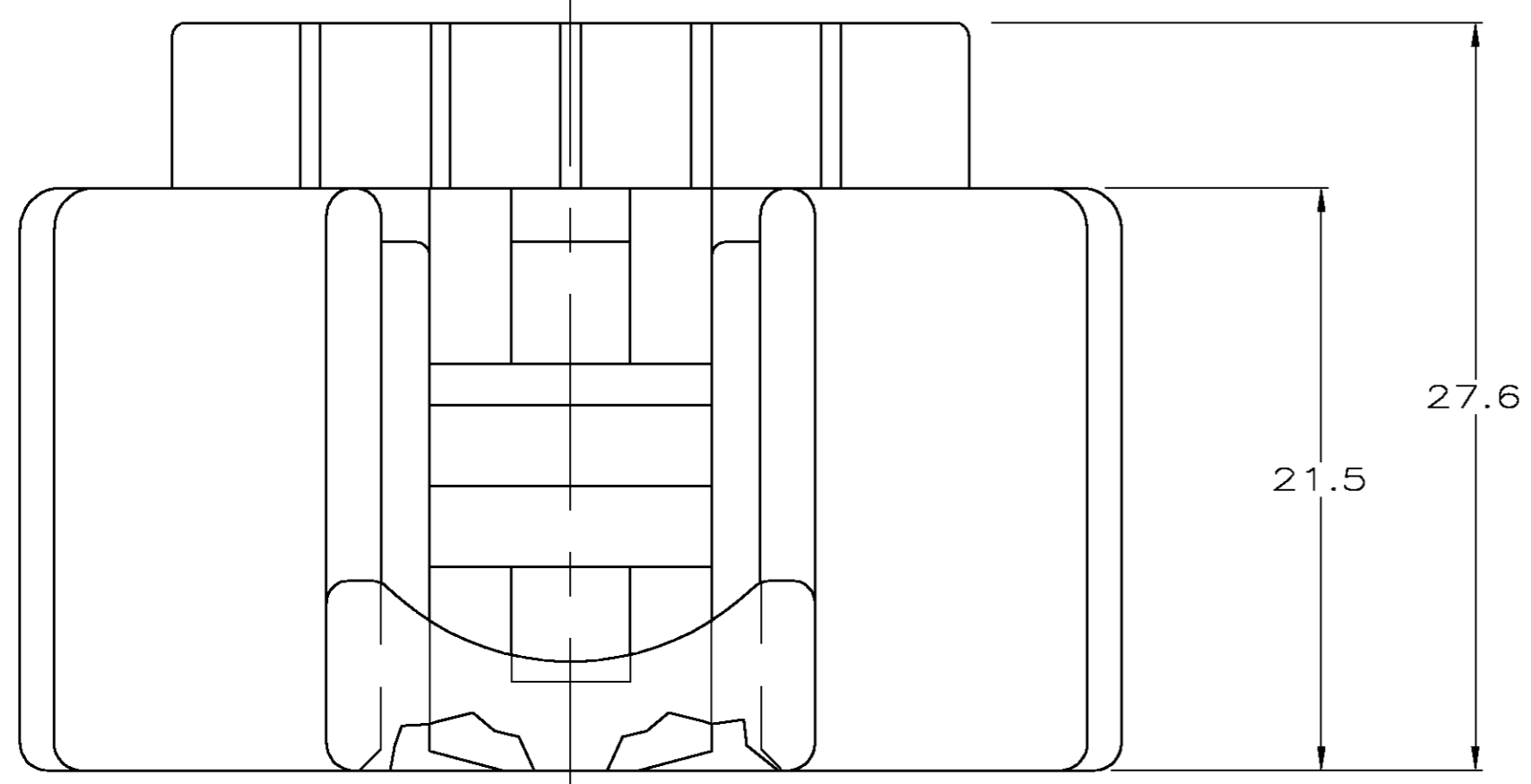
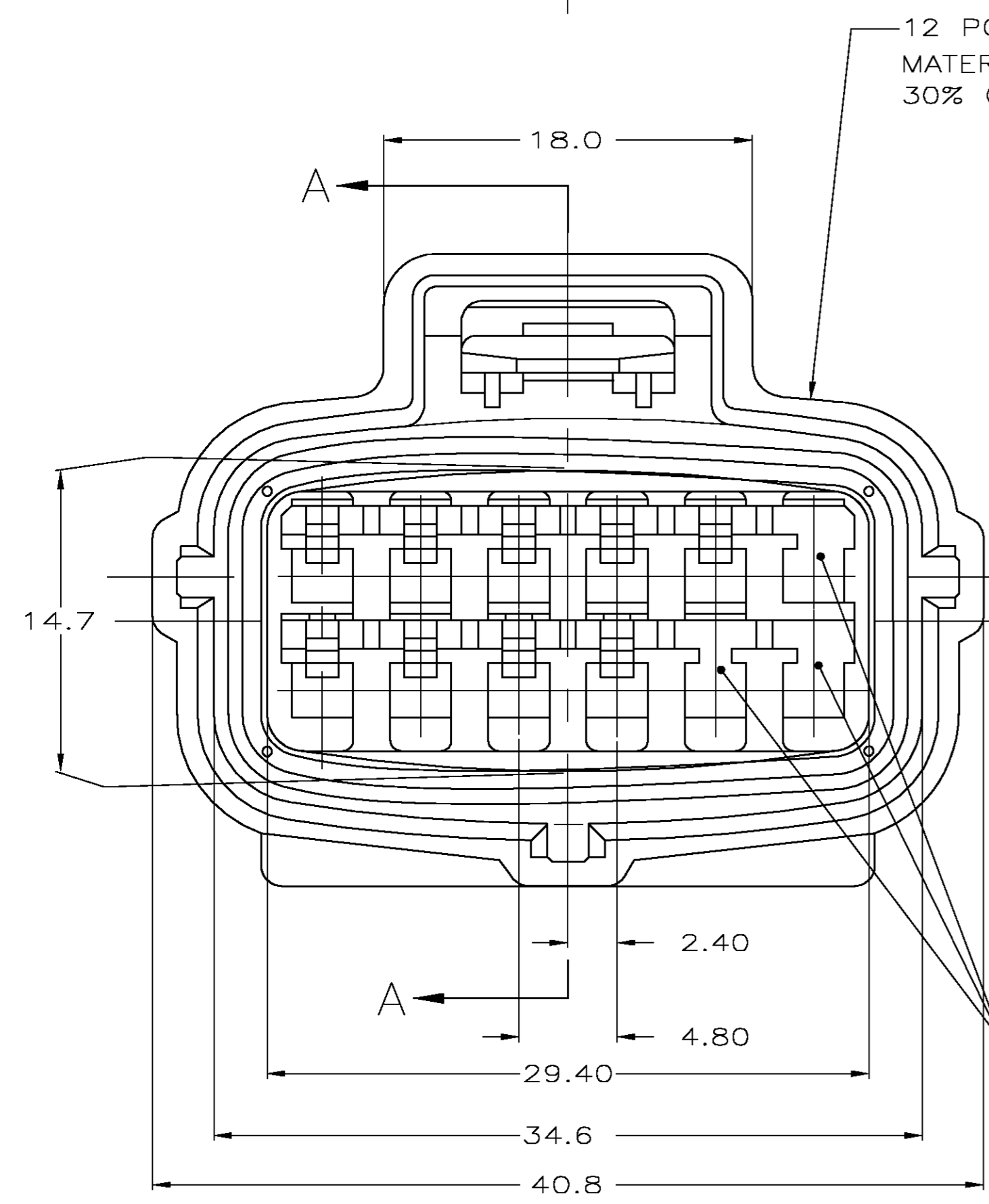


THIS DRAWING IS UNPUBLISHED. RELEASED FOR PUBLICATION
 © COPYRIGHT BY TYCO ELECTRONICS CORPORATION. ALL RIGHTS RESERVED.

LOC		DIST		REVISIONS			
P	LTR	DESCRIPTION		DATE	DWN	APVD	
GE	00	J	REV PER EC	0K40-0448-03	25JUN03	AH	KLC

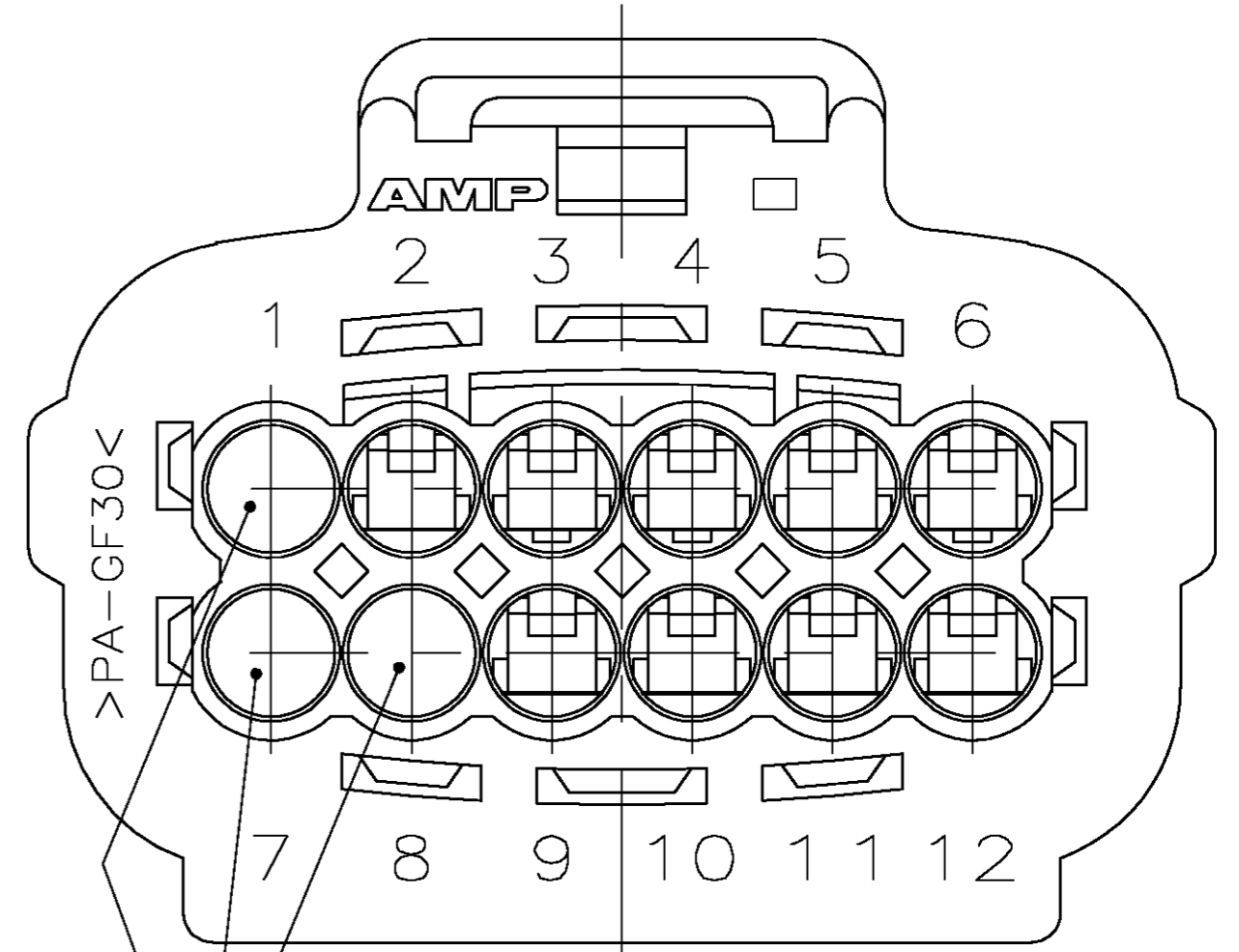
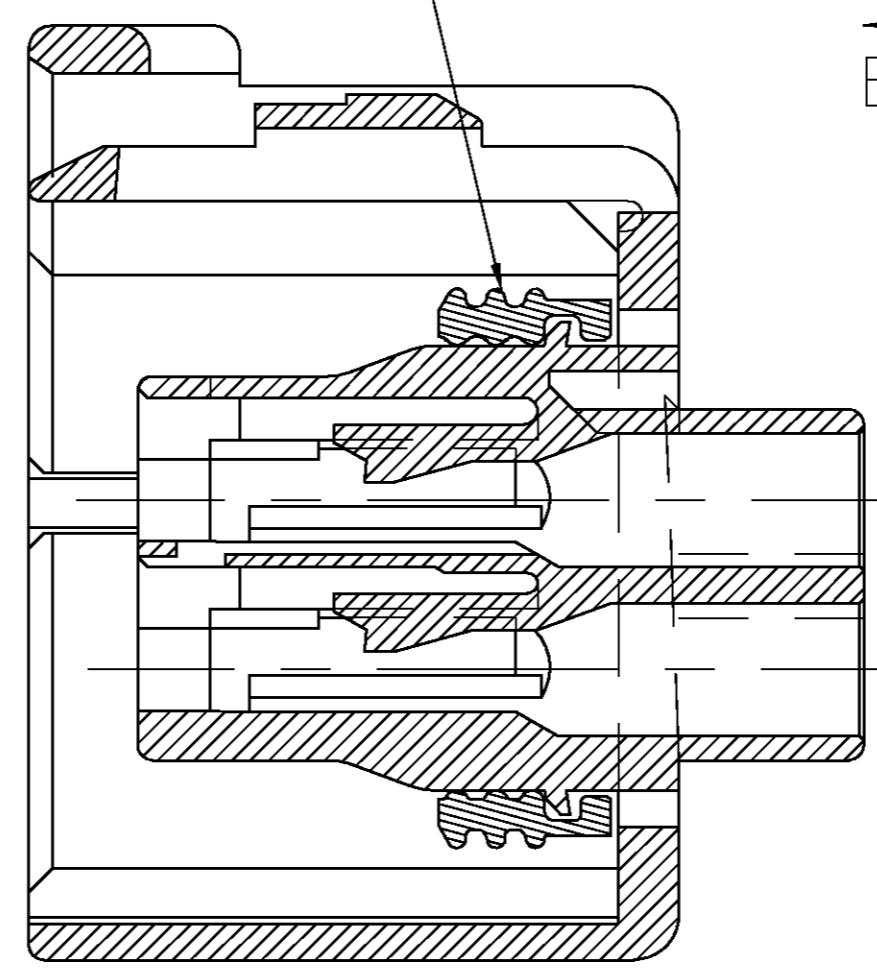


SECONDARY LOCK PLATE, P/N 184058-1, REQUIRED AS A SEPARATE COMPONENT.



12 POSITION PLUG
 MATERIAL: 4/6 NYLON
 30% GLASS FILLED

SEAL RING
 MATERIAL:
 SILICONE RUBBER



THESE CIRCUITS BLOCKED
 (#1, #7, #8)

THIS DRAWING IS A CONTROLLED DOCUMENT.

DIMENSIONS:	TOLERANCES UNLESS OTHERWISE SPECIFIED:	DWN	9/14/94
MM	0 PLC ± -	CHK	KD LYTLE
	1 PLC ± 0.3	CHK	JP KUNKLE
	2 PLC ± 0.15	APVD	JP KUNKLE
	3 PLC ± -	PRODUCT SPEC	11/10/94
	4 PLC ± -	APPLICATION SPEC	
	ANGLES ± -	WEIGHT	
	FINISH	CUSTOMER DRAWING	

BLACK		184099-1	
PLUG COLOR		PART NUMBER	
tyco Electronics		Tyco Electronics Corporation Harrisburg, PA 17105-3608	
NAME 12 POSITION PLUG ASSY.			
SIZE	CAGE CODE	DRAWING NO	RESTRICTED TO
A2	00779	C=184099	-
SCALE 4:1		SHEET 1 OF 1	REV J