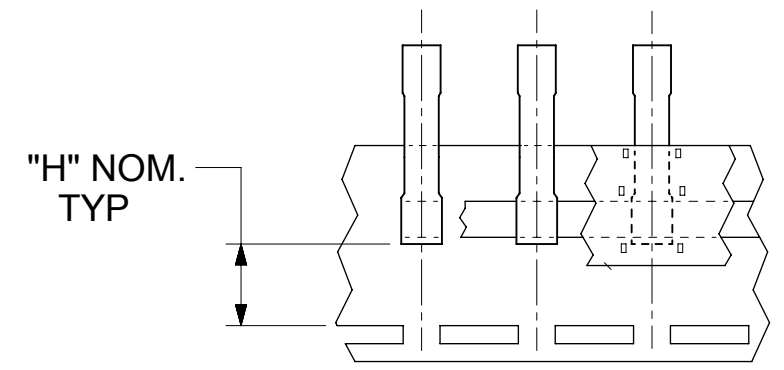
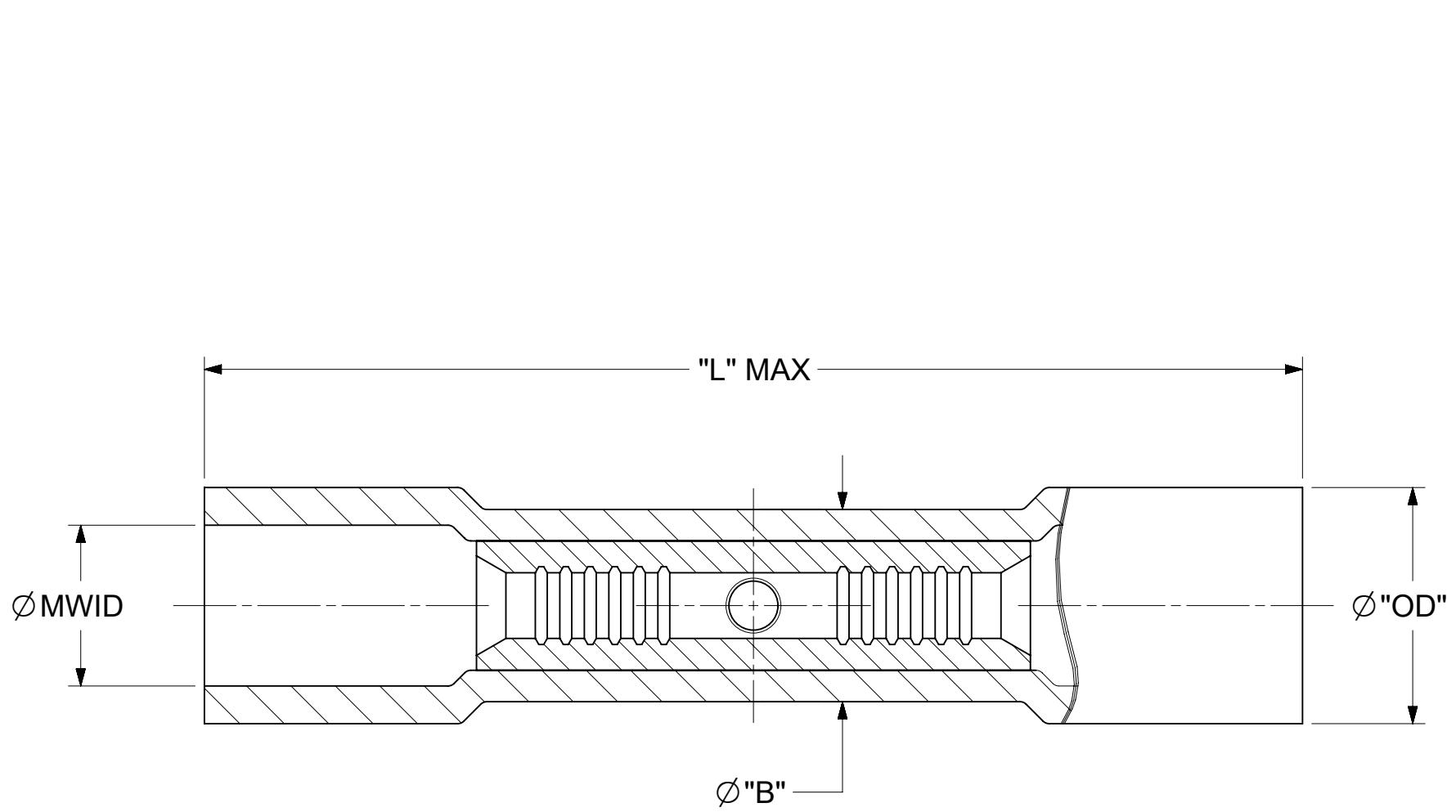
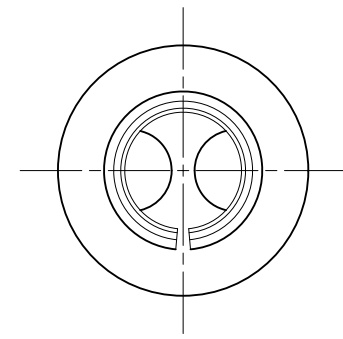


MATERIAL NO.	ENG. NO.	MATERIAL NO. (TAPED)	ENG NO. (TAPED)	COLOR	MWID	OD (MAX)	"L" MAX	"B" (MAX)	ID (MIN)	"H" (NOM)
191540004	A-245X	191540006	A-245XT	RED	.150 (3.81)	.24 (6.1)	.98 (24.9)	.20 (5.1)	.060 (1.52)	.49 (12.4)
191540015	B-231X	191540017	B-231XT	BLUE	.175 (4.45)	.27 (6.9)	1.00 (25.4)	.24 (6.1)	.080 (2.03)	
191540028	C-246X	191540030	C-246XT	YELLOW	.260 (6.60)	.36 (9.2)	1.14 (29.0)	.30 (7.6)	.125 (3.17)	.43 (10.9)



TAPE MOUNTED PARTS



NOTES:

1. MATERIALS: PVC INSULATION OVER TIN-PLATED COPPER SPLICE.
2. COLOR: SEE CHART.
3. MWID = MAXIMUM WIRE INSULATION DIAMETER
4. PARTS ARE RoHS COMPLIANT.

THIS DRAWING CONTAINS INFORMATION THAT IS PROPRIETARY TO MOLEX ELECTRONIC TECHNOLOGIES, LLC AND SHOULD NOT BE USED WITHOUT WRITTEN PERMISSION											
FUNCTIONAL SYMBOLS		DIMENSION UNITS		SCALE		CURRENT REV DESC: "L MAX" DIM UPDATE: .98 WAS .97 & 1.00 WAS .98					
FA = 0		INCH/MM		NTS		molex BUTT SPLICE CONNECTOR, INSULKRIMP PRODUCT CUSTOMER DRAWING					
FE = 0		GENERAL TOLERANCES (UNLESS SPECIFIED)									
FP = 0		MM		INCH							
DIVISIONAL SYMBOLS		4 PLACES ±		±							
		3 PLACES ±		± 0.005							
		2 PLACES ± 0.13		± 0.01							
		1 PLACE ± 0.25		±							
		0 PLACES ±		±							
		ANGULAR TOL ± 0.5°									
DRAFT WHERE APPLICABLE MUST REMAIN WITHIN DIMENSIONS				THIRD ANGLE PROJECTION		DRAWING		SERIES		MATERIAL NUMBER	
						B-SIZE		19154		SEE CHART	
										CUSTOMER	
										GENERAL MARKET	
										SHEET NUMBER	
										1 OF 1	