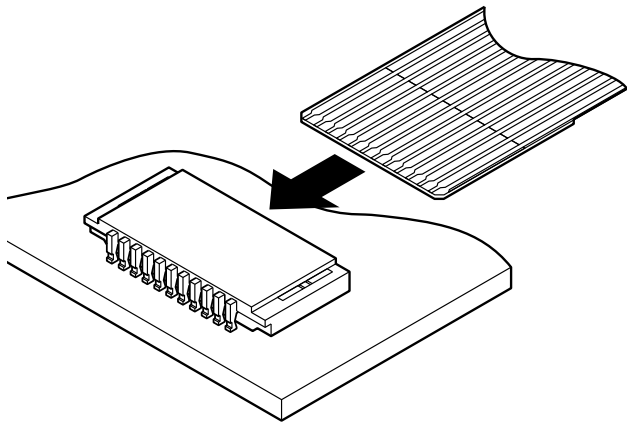




FHJ CONNECTOR

0.5 mm pitch/Connectors for PC board/For FPC



Non-ZIF type low profile of 1.2 mm mounting height. 0.3 mm thick standard type FPC is applicable.

- Compact mounting space
- Heat resisting design suitable for surface mounting

Specifications

- Current rating: 0.5 A AC/DC
- Voltage rating: 50 V AC/DC
- Temperature range: -25°C to $+85^{\circ}\text{C}$
(including temperature rise in applying electrical current)
- Contact resistance: Initial value/ 40 m Ω max.
After environmental tests/ 20 m Ω max.
(variation from initial value)
- Insulation resistance: 500 M Ω min.
- Withstanding voltage: 200 VAC/minute
- Applicable FPC: Conductor pitch/ 0.5 mm
Conductor width/ 0.35 mm
Mating part thickness/ 0.3 ± 0.05 mm

Note: FPC to be actually used should be checked for applicability.

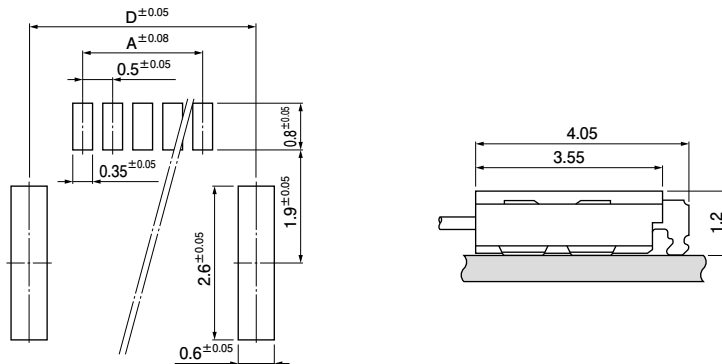
* In using the products, refer to "Handling Precautions for Terminals and Connectors" described on our website (Technical documents of Product information page).

- * RoHS2 compliance
- * Dimensional unit: mm
- * Contact JST for details.

Standards

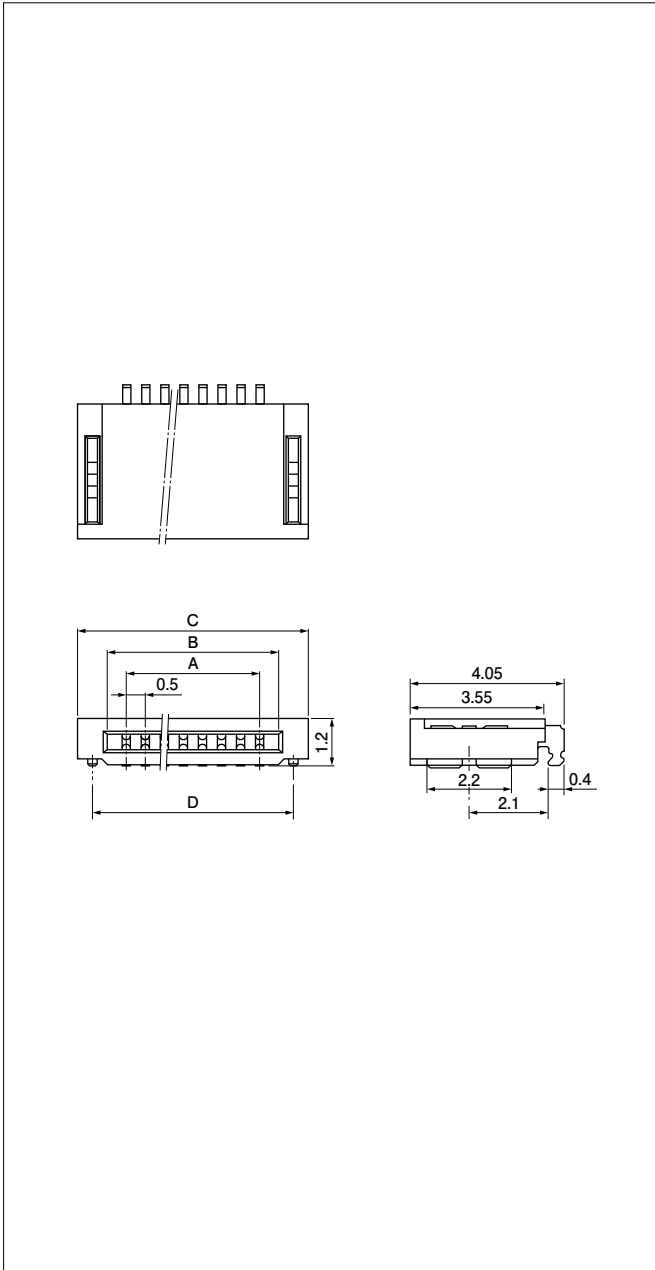
Recognized E60389

PC board layout and Assembly layout



- Note: 1. The above figure is the figure viewed from the connector mounting side.
2. Tolerances are non-cumulative: ± 0.08 mm for all centers.
3. The dimensions above should serve as a guide line. Contact JST for details.

Connector



Gold-plated product

| No. of circuits | Model No. | Dimensions (mm) | | | | Q'ty/reel |
|-----------------|------------------|-----------------|------|------|------|-----------|
| | | A | B | C | D | |
| 4 | 04FHJ-SM1-GAN-TB | 1.5 | 2.5 | 4.1 | 3.3 | 4,000 |
| 5 | 05FHJ-SM1-GAN-TB | 2.0 | 3.0 | 4.6 | 3.8 | 4,000 |
| 6 | 06FHJ-SM1-GAN-TB | 2.5 | 3.5 | 5.1 | 4.3 | 4,000 |
| 7 | 07FHJ-SM1-GAN-TB | 3.0 | 4.0 | 5.6 | 4.8 | 4,000 |
| 8 | 08FHJ-SM1-GAN-TB | 3.5 | 4.5 | 6.1 | 5.3 | 4,000 |
| 9 | 09FHJ-SM1-GAN-TB | 4.0 | 5.0 | 6.6 | 5.8 | 4,000 |
| 10 | 10FHJ-SM1-GAN-TB | 4.5 | 5.5 | 7.1 | 6.3 | 4,000 |
| 11 | 11FHJ-SM1-GAN-TB | 5.0 | 6.0 | 7.6 | 6.8 | 4,000 |
| 12 | 12FHJ-SM1-GAN-TB | 5.5 | 6.5 | 8.1 | 7.3 | 4,000 |
| 13 | 13FHJ-SM1-GAN-TB | 6.0 | 7.0 | 8.6 | 7.8 | 4,000 |
| 14 | 14FHJ-SM1-GAN-TB | 6.5 | 7.5 | 9.1 | 8.3 | 4,000 |
| 16 | 16FHJ-SM1-GAN-TB | 7.5 | 8.5 | 10.1 | 9.3 | 4,000 |
| 18 | 18FHJ-SM1-GAN-TB | 8.5 | 9.5 | 11.1 | 10.3 | 4,000 |
| 20 | 20FHJ-SM1-GAN-TB | 9.5 | 10.5 | 12.1 | 11.3 | 4,000 |
| 21 | 21FHJ-SM1-GAN-TB | 10.0 | 11.0 | 12.6 | 11.8 | 4,000 |
| 24 | 24FHJ-SM1-GAN-TB | 11.5 | 12.5 | 14.1 | 13.3 | 4,000 |

Material and Finish

Contact: Copper alloy, nickel-undercoated, gold-plated (nickel-stripe)
 Housing: Heat resisting resin, UL94V-0, natural
 Reinforcement: Copper alloy, copper-undercoated, tin-plated (reflow treatment)

RoHS2 compliance This product displays (LF)(SN) on a label.

Tin-plated product

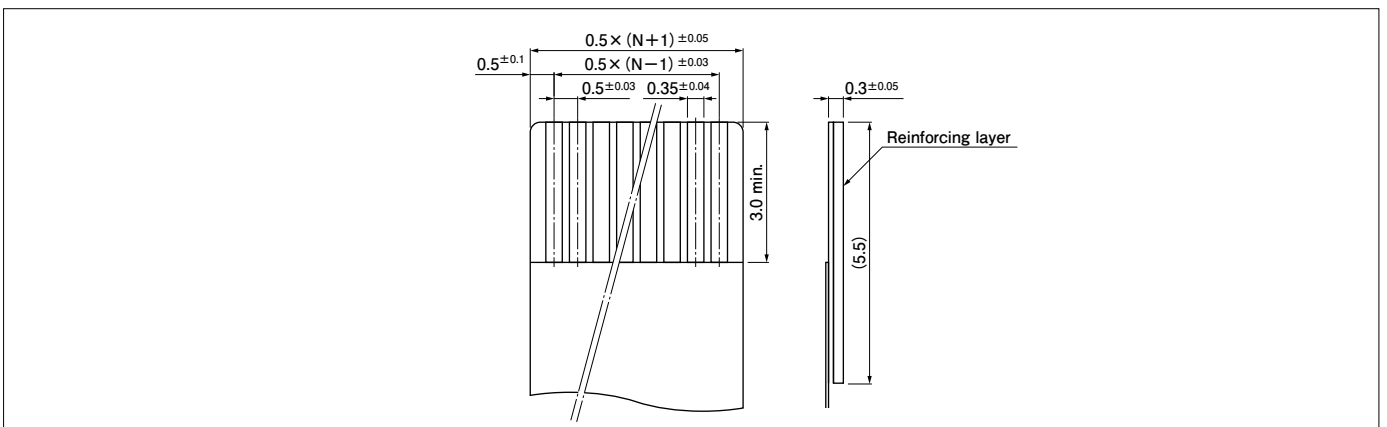
| No. of circuits | Model No. | Dimensions (mm) | | | | Q'ty/reel |
|-----------------|--------------|-----------------|------|------|------|-----------|
| | | A | B | C | D | |
| 4 | 04FHJ-SM1-TB | 1.5 | 2.5 | 4.1 | 3.3 | 4,000 |
| 5 | 05FHJ-SM1-TB | 2.0 | 3.0 | 4.6 | 3.8 | 4,000 |
| 6 | 06FHJ-SM1-TB | 2.5 | 3.5 | 5.1 | 4.3 | 4,000 |
| 7 | 07FHJ-SM1-TB | 3.0 | 4.0 | 5.6 | 4.8 | 4,000 |
| 8 | 08FHJ-SM1-TB | 3.5 | 4.5 | 6.1 | 5.3 | 4,000 |
| 9 | 09FHJ-SM1-TB | 4.0 | 5.0 | 6.6 | 5.8 | 4,000 |
| 10 | 10FHJ-SM1-TB | 4.5 | 5.5 | 7.1 | 6.3 | 4,000 |
| 11 | 11FHJ-SM1-TB | 5.0 | 6.0 | 7.6 | 6.8 | 4,000 |
| 12 | 12FHJ-SM1-TB | 5.5 | 6.5 | 8.1 | 7.3 | 4,000 |
| 13 | 13FHJ-SM1-TB | 6.0 | 7.0 | 8.6 | 7.8 | 4,000 |
| 14 | 14FHJ-SM1-TB | 6.5 | 7.5 | 9.1 | 8.3 | 4,000 |
| 16 | 16FHJ-SM1-TB | 7.5 | 8.5 | 10.1 | 9.3 | 4,000 |
| 18 | 18FHJ-SM1-TB | 8.5 | 9.5 | 11.1 | 10.3 | 4,000 |
| 20 | 20FHJ-SM1-TB | 9.5 | 10.5 | 12.1 | 11.3 | 4,000 |
| 21 | 21FHJ-SM1-TB | 10.0 | 11.0 | 12.6 | 11.8 | 4,000 |
| 24 | 24FHJ-SM1-TB | 11.5 | 12.5 | 14.1 | 13.3 | 4,000 |

Material and Finish

Contact: Copper alloy, copper-undercoated, tin-plated (reflow treatment)
 Housing: LCP, UL94V-0
 Solder tab: Copper alloy, copper-undercoated, tin-plated (reflow treatment)

RoHS2 compliance This product displays (LF)(SN) on a label.

Lead section dimensions of FPC



Note: N --- Number of circuits