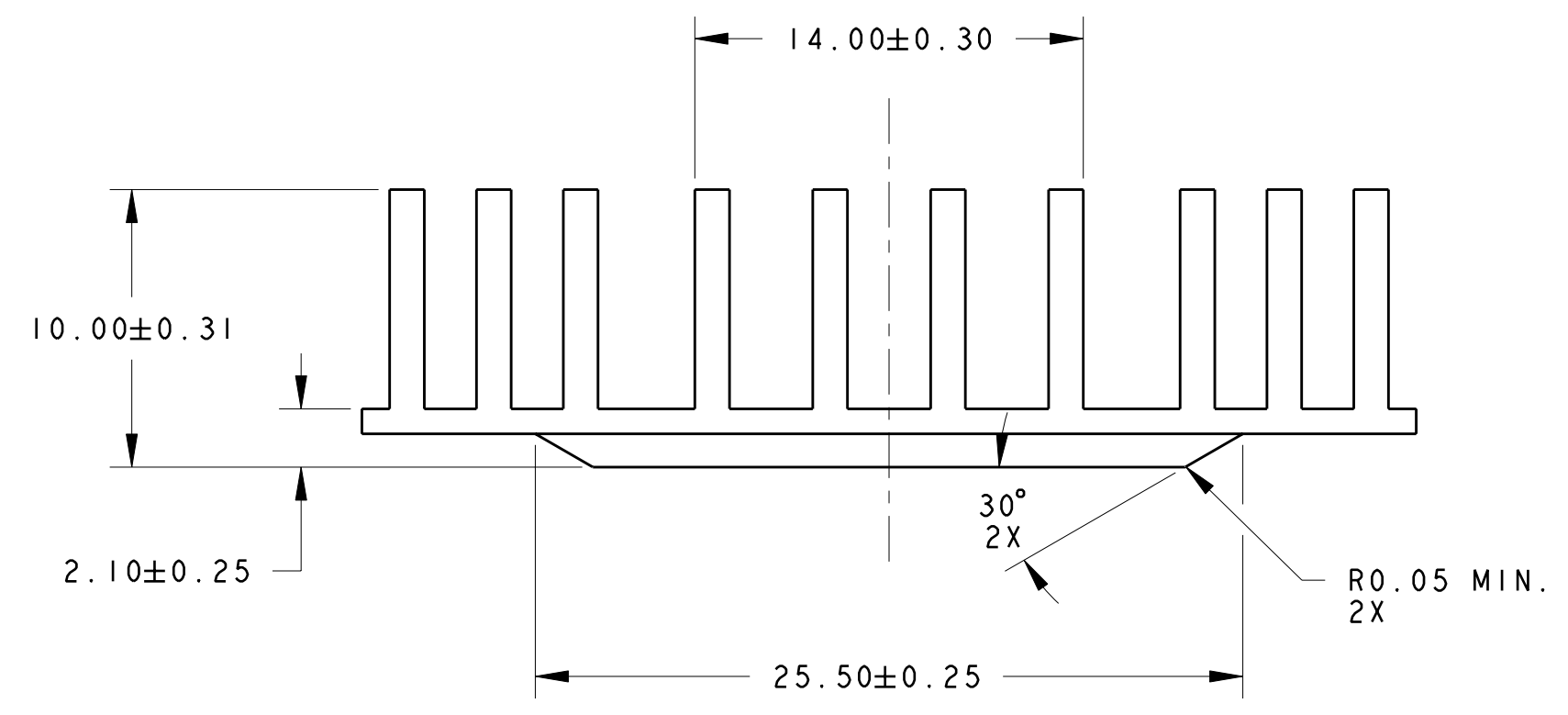
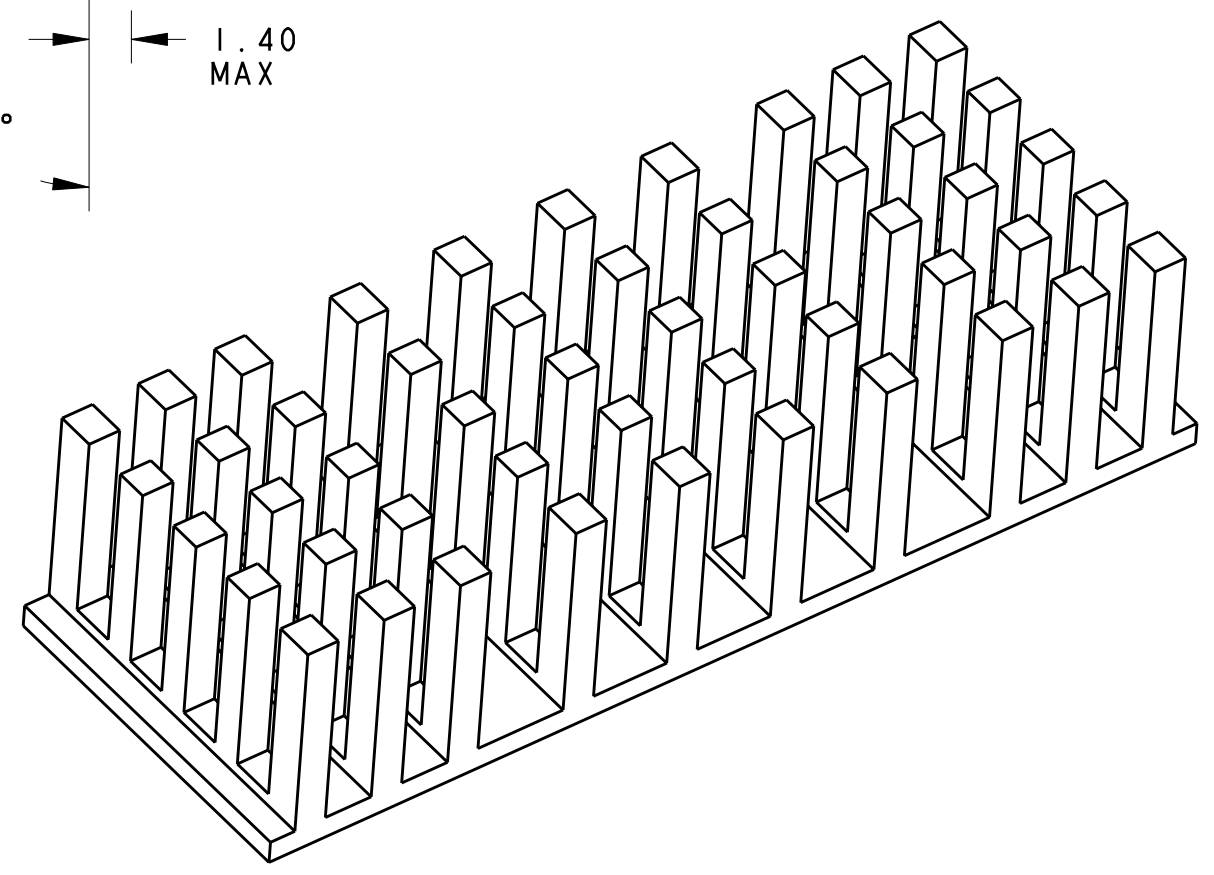
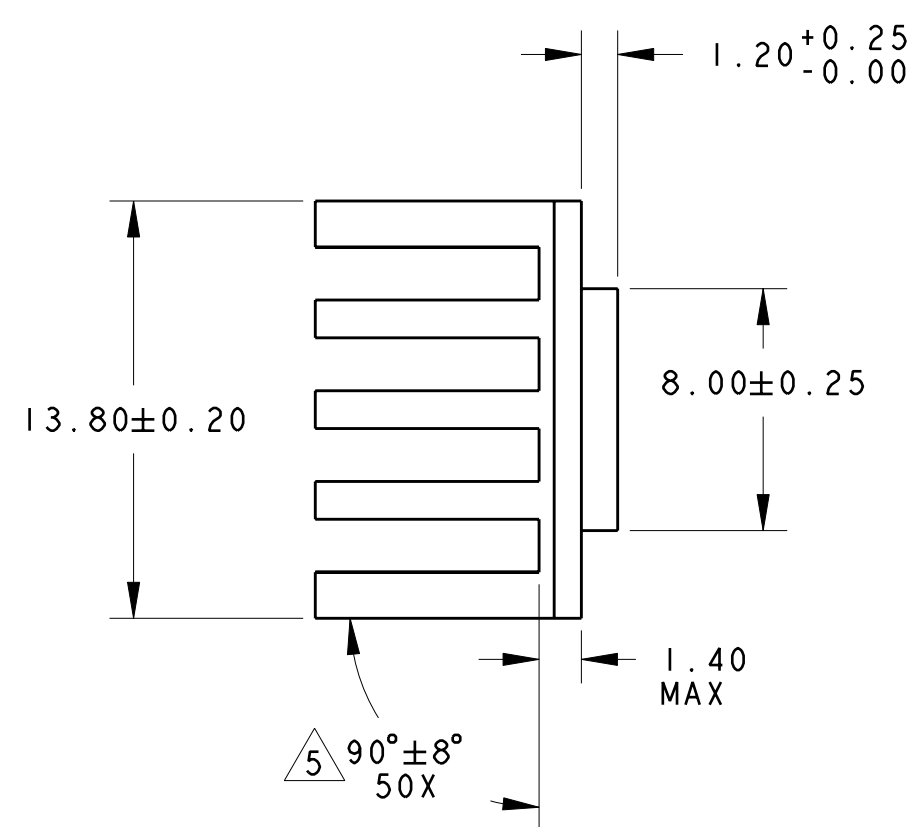
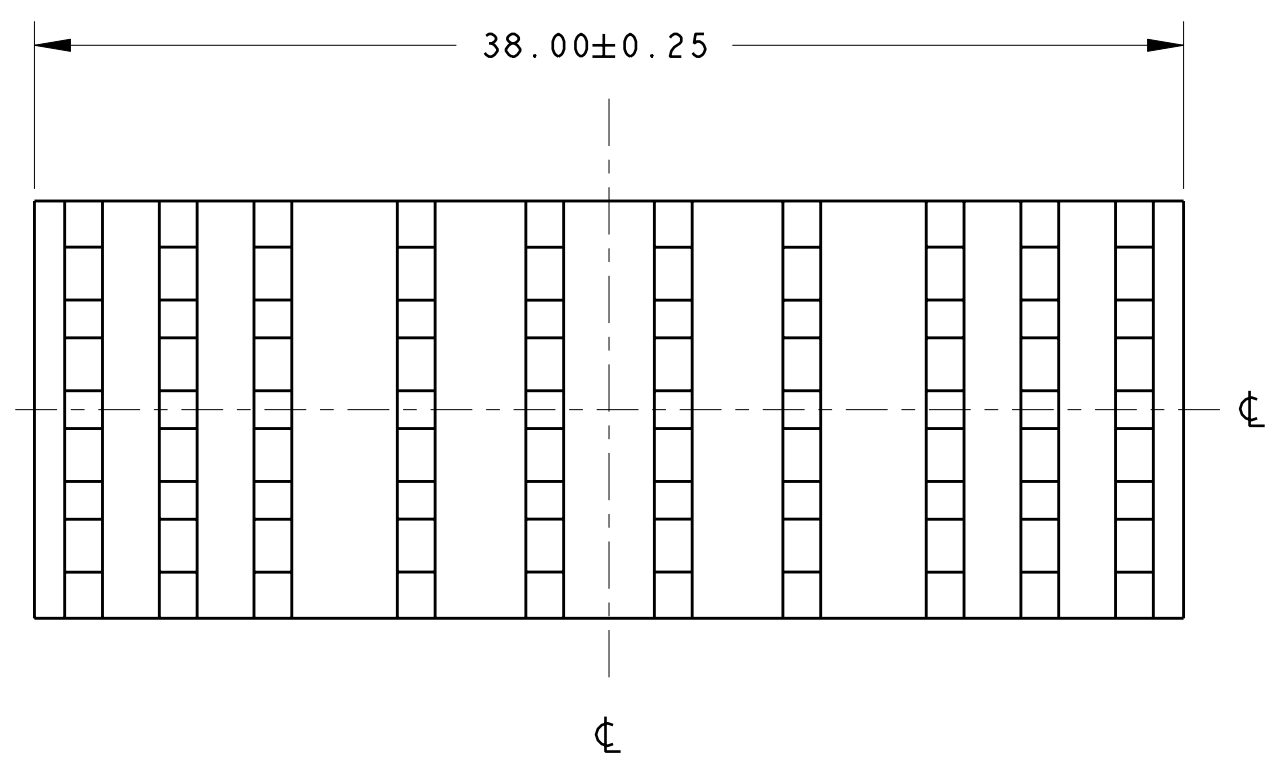


THIS DRAWING IS UNPUBLISHED. RELEASED FOR PUBLICATION 20
 © COPYRIGHT 20 BY TYCO ELECTRONICS CORPORATION. ALL RIGHTS RESERVED.

REVISIONS							
LOC	DIST	P	LTR	DESCRIPTION	DATE	DWN	APVD
-	-	B		REVISED	22JUL2009	DH	JE



NOTES:

- UNLESS OTHERWISE SPECIFIED
- 1 MATERIAL: 6063 ALUMINUM.
- 2 FINISH: ELECTROLESS NICKEL 0.076-0.254 MICROMETERS THICK. ROHS COMPLIANT.
- 3. 0,2mm MAX BURR.
- 4. VARIATION IN PLATING COLOR IS NORMAL AND ALLOWED.
- 5 MAXIMUM PIN LEAN OF 8° IN ANY DIRECTION.
- 6. ROHS COMPLIANT AND CERTIFIED.

2	1963854-2
FINISH	PART NUMBER

THIS DRAWING IS A CONTROLLED DOCUMENT FOR TYCO ELECTRONICS CORPORATION. IT IS SUBJECT TO CHANGE AND THE CONTROLLING ENGINEERING ORGANIZATION SHOULD BE CONTACTED FOR THE LATEST REVISION.		DWN E. TAO 1-7-09	Tyco Electronics Harrisburg, PA 17105-3608	
DIMENSIONS: mm		CHK B. STRATTON 1-7-09	NAME HEAT SINK SFP DWDM 10.0mm TALL	
TOLERANCES UNLESS OTHERWISE SPECIFIED: 0 PLC ±.2 1 PLC ±.2 2 PLC ±.10 3 PLC ±.08 4 PLC ±0.0001 ANGLES ±5		APVD -	PRODUCT SPEC -	RESTRICTED TO -
MATERIAL 1		FINISH 2	APPLICATION SPEC -	SCALE 4:1
CUSTOMER DRAWING		WEIGHT -	SIZE A200779	DRAWING NO. C-1963854
		SHEET 1 OF 1		REV B