



Features

- UL F class rated standard
- Low profile and narrow width
- High dielectric strength
- Creepage > 8mm between coil and contacts

UL US
E197851



Contact Data*

Contact Arrangement	1A = SPST N.O. 1C = SPDT
Contact Rating	8A @ 250VAC 8A @ 30VDC 100K cycles @ 70°C ambient
Contact Resistance	< 50 milliohms initial
Contact Material	AgSnO ₂

Coil Data*

Coil Voltage VDC		Coil Resistance Ω +/- 10%	Pick Up Voltage VDC (max) 75% of rated voltage	Release Voltage VDC (min) 10% of rated voltage	Coil Power W	Operate Time ms	Release Time ms
Rated	Max						
5	11.7	114	3.75	0.9	.22	10	5
12	15.6	655	8.40	1.2			
24	31.2	2618	16.80	2.4			

General Data*

Electrical Life @ rated load	100K cycles, average
Mechanical Life	10M cycles, average
Insulation Resistance	100M Ω min. @ 500VDC initial
Dielectric Strength, Coil to Contact	5000V rms min. @ sea level initial
Contact to Contact	1000V rms min. @ sea level initial
Shock Resistance	100m/s ² for 11 ms
Vibration Resistance	1.50mm double amplitude 10~40Hz
Operating Temperature	-55°C to +125°C
Storage Temperature	-55°C to +155°C
Solderability	260°C for 5 s
Weight	8g

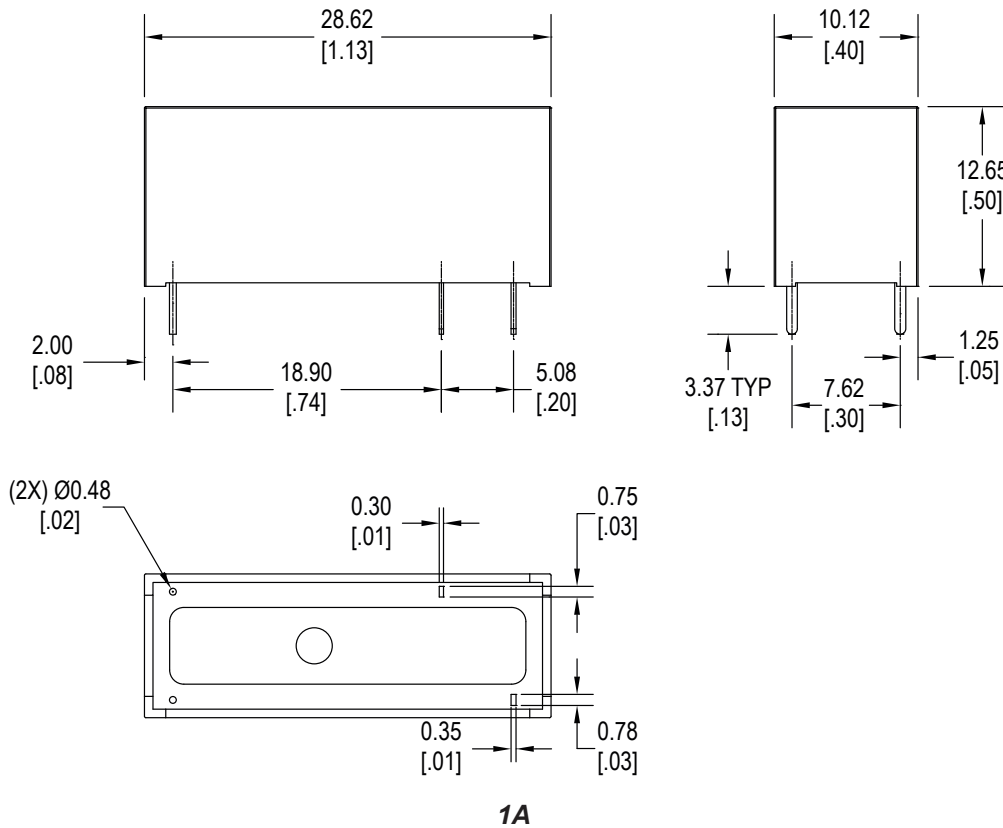
* Values can change due to the switching frequency, desired reliability levels, environmental conditions and in-rush load levels. It is recommended to test actual load conditions for the application. It is the user's responsibility to determine the performance suitability for their specific application. The use of any coil voltage less than the rated coil voltage may compromise the operation of the relay.

Ordering Information

1. Series	J117F	1C	S	12VDC
J117F				
2. Contact Arrangement	1A = SPST N.O. 1C = SPDT			
3. Sealing Option	S = Sealed			
4. Coil Voltage	5VDC 12VDC 24VDC			

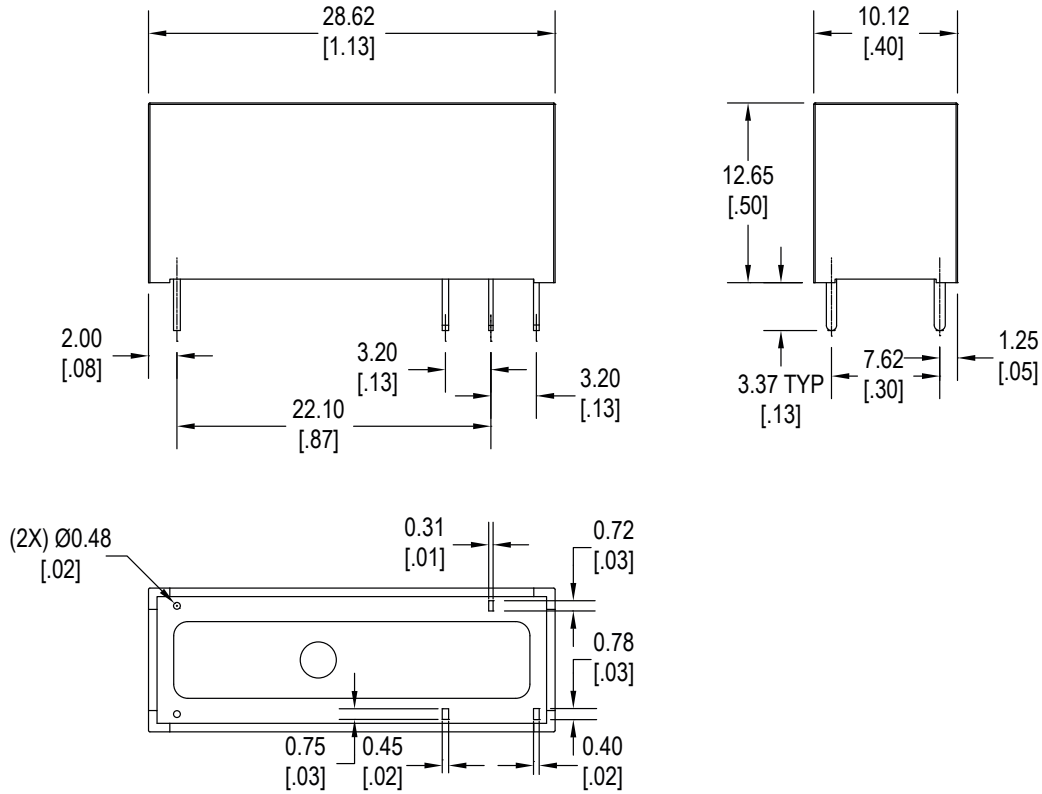
Dimensions

Units = mm



Dimensions

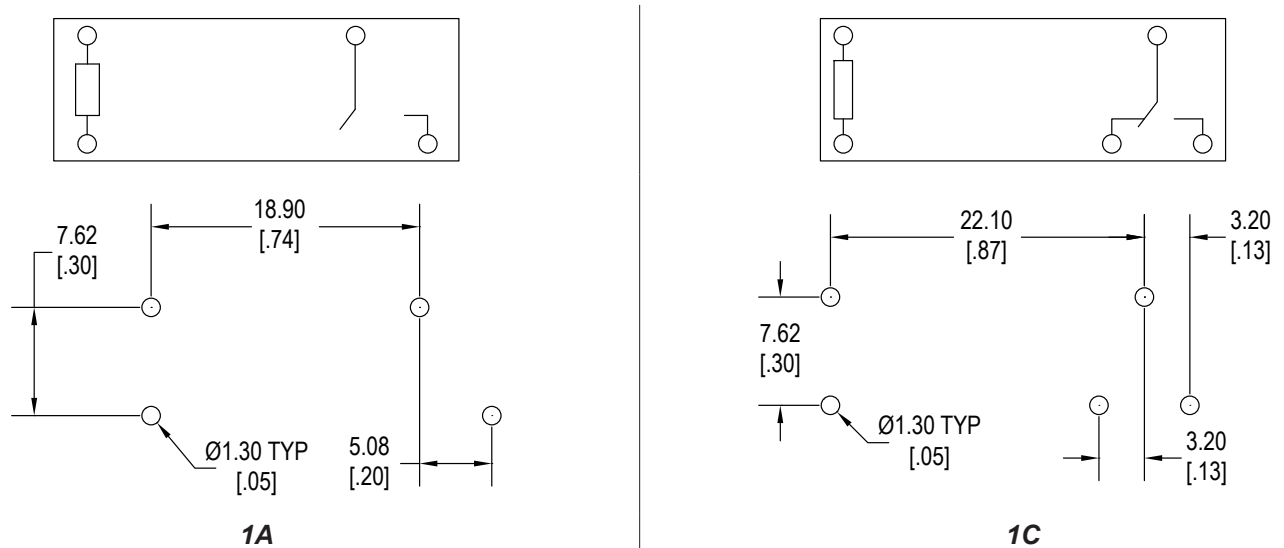
Units = mm



1C

Schematics & PC Layouts

Bottom Views



1A

1C