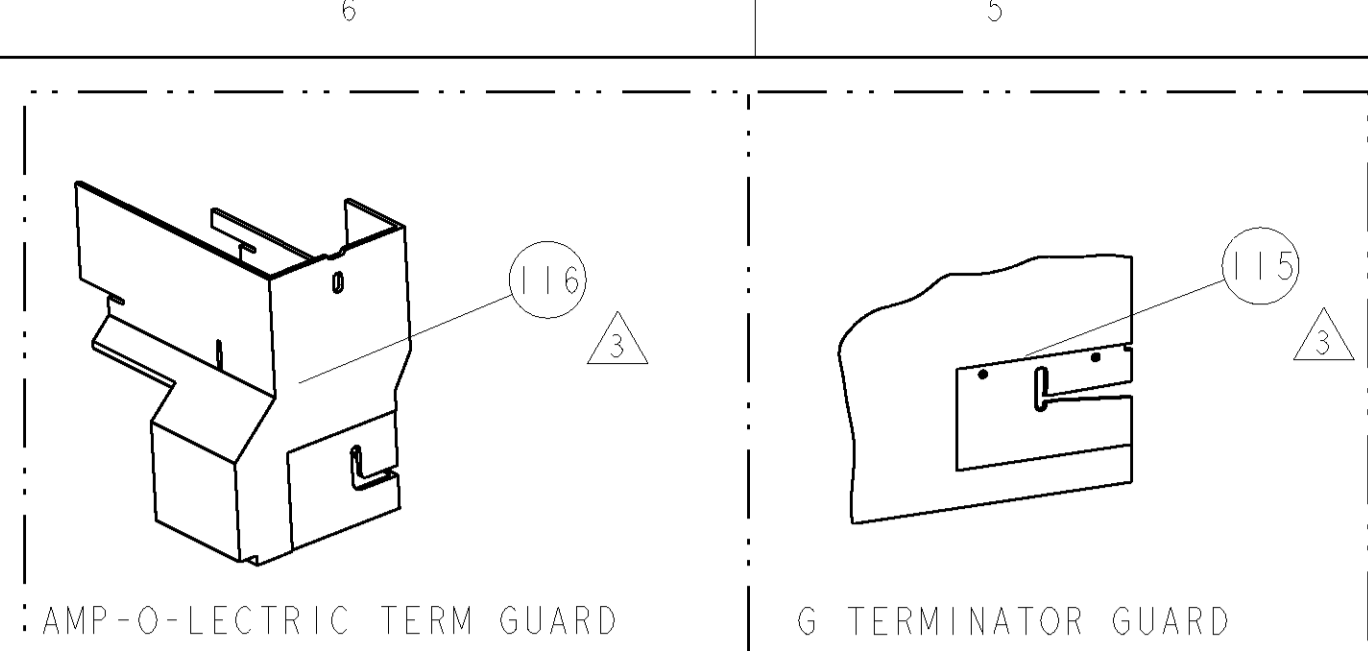


PART NUMBER	REV	FIRST USED	POWER UNIT	FEED TYPE	DESCRIPTION
1855138-1	B	122500-1	LEADMAKER	AIR FEED	CUTS CARRIER
1855138-2	B	565435-5	BENCH MODEL K	AIR FEED	CUTS CARRIER
1855138-3	B	354500-1	BENCH MODEL G	AIR FEED	CUTS CARRIER
7-1855138-7	A	-	-	-	SPARE PARTS

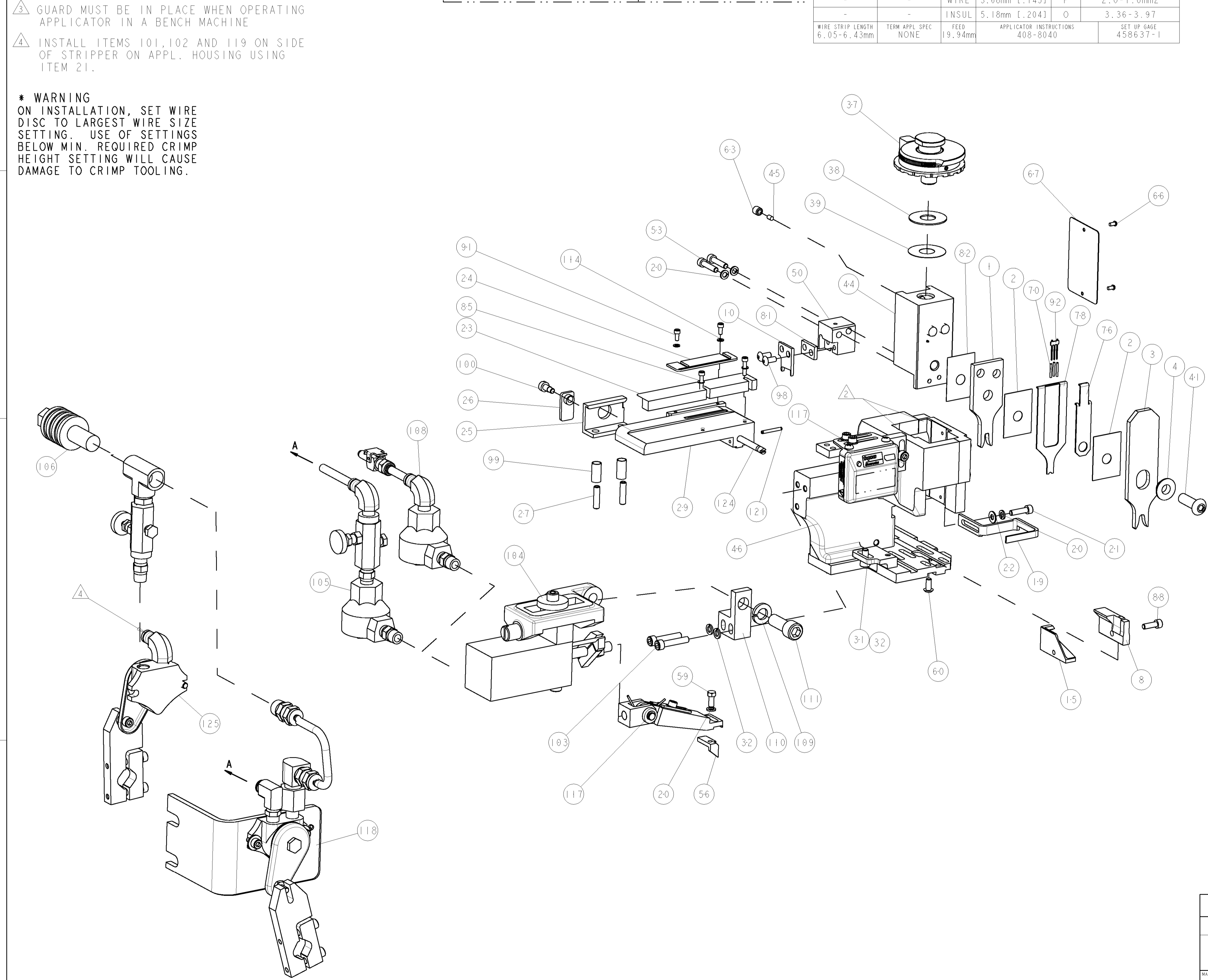
- △ RECOMMENDED SPARE PARTS
- △ GREASE LIGHTLY
- △ GUARD MUST BE IN PLACE WHEN OPERATING APPLICATOR IN A BENCH MACHINE
- △ INSTALL ITEMS 101, 102 AND 119 ON SIDE OF STRIPPER ON APPL. HOUSING USING ITEM 21.

*** WARNING**
 ON INSTALLATION, SET WIRE DISC TO LARGEST WIRE SIZE SETTING. USE OF SETTINGS BELOW MIN. REQUIRED CRIMP HEIGHT SETTING WILL CAUSE DAMAGE TO CRIMP TOOLING.



TERMINAL NAME: RING TONGUE			
TYCO PN	MANF PN	PACKARD TERMINAL - PACKARD CRIMP SPECS	
1949178	2977493		
		CRIMP HEIGHT	WIRE SIZE
		2.75±0.05mm [1.08±.002]	2.0mm or (1)18+(1)16
		2.60±0.05mm [1.02±.002]	1.0mm
		CRIMP	SIZE TYPE RANGE
		WIRE	3.68mm [1.45] F 2.0-1.0mm2
		INSUL	5.18mm [1.204] O 3.36-3.97
		FEED	19.94mm
		APPLICATOR INSTRUCTIONS	408-8040
		SET UP GAGE	458637-1
WIRE STRIP LENGTH	TERM APPL SPEC		
6.05-6.43mm	NONE		

LOC	DIST	REVISIONS				
A	66	P LTR	DESCRIPTION	DATE	DWN	APPR
		A	PRODUCT RELEASE	17MAR2007	CMR	GB
		B	ECR-07-011323	15MAY2007	MY	GB



-	-	1	-	-	455350-4	AIR BLAST ASS'Y	125
-	-	1	1	1	690432-3	ADJUSTMENT SCREW	124
-	-	1	1	1	4-21028-0	PIN, SLOTTED SPRING .094 X .750	121
-	-	18	24	18	27319-4	TUBING, POLY-FLO, NATURAL	119
-	-	-	-	-	692655-6	AIR FEED VALVE ASSEMBLY	118
-	-	-	-	-	461062-1	FEED FINGER ASSEMBLY	117
-	-	-	-	-	455749-1	GUARD WINDOW	116
-	-	REF	-	-	679532-1	INSERT, GUARD	115
-	-	4	4	4	21024-2	WASHER, SPRG LOCK, REG NO 4	114
-	-	-	-	-	3-21001-5	SCR, SKT HD CAP 3/8-16 X 1.000	111
-	-	-	-	-	459610-1	MOUNT, FEED BRACKET	110
-	-	-	-	-	21024-8	WASHER, SPRG LOCK, REG 3/8	109
-	-	-	-	-	692655-7	AIR FEED VALVE ASSEMBLY	108
-	-	-	-	-	24042-2	VALVE, SLEEVE, 3-WAY	106
-	-	-	-	-	692655-5	AIR FEED VALVE ASSEMBLY	105
-	-	-	-	-	461065-1	ASSEMBLY, AIR FEED	104
-	-	2	2	2	3-21000-9	SCR, SKT HD CAP 10-32 X 1.000	103
-	-	-	-	-	986220-3	CLAMP, CABLE, BLACK	102
-	-	-	-	-	23238-1	INSERT, COUPLING	101
-	-	-	-	-	22353-8	SCR, SHLD, SLOT HD, 3/16 DIA	100
-	-	2	2	2	22281-9	SPRING, COMPRESSION	99
-	-	2	2	2	2-21002-1	SCR, BTN SKT HD CAP 8-32 X .375	98
-	-	-	-	-	1424350-1	HOLDER, PIN, WIRED	92
-	-	2	2	2	1-21000-3	SCR, SKT HD CAP 4-40 X .250	91
-	-	-	-	-	2-21000-7	SCR, SKT HD CAP 8-32 X .500	88
-	-	2	2	2	1-21000-5	SCR, SKT HD CAP 4-40 X .500	85
-	-	-	-	-	455888-1	SPACER, CRIMPER	82
-	-	-	-	-	240641-7	SPACER	81
-	-	-	-	-	1490525-2	DEPRESSOR, WIRE	78
-	-	-	-	-	1490524-2	DEPRESSOR, SPACER	76
-	-	-	-	-	4088040	SF APPL INST 408-8040	72
-	-	-	-	-	217238-1	GENERAL INSTRUCTION PKG	71
-	-	3	3	3	2-23147-2	SPRING, COMPRESSION	70
-	-	-	-	-	461264-5	PLATE, IDENTIFICATION	67
-	-	2	2	2	21017-2	SCREW, DRIVE	66
-	-	-	-	-	21009-2	SCR, SET, SELF LOCKING 1/4-20 X .250	63
-	-	-	-	-	22733-8	SCR, BHSC, SELF-LOCKING, 8-32 X .375	60
-	-	-	-	-	2-22603-1	SCR, HEX HD CAP 8-32 X .375	59
-	-	-	-	-	1-694433-5	FEED PAWL	56
-	-	2	2	2	2-21000-9	SCR, SKT HD CAP 8-32 X .750	53
-	-	-	-	-	1633508-2	HOLDER, SLUG BLADE	50
-	-	-	-	-	1633399-1	APPL. BASIC AIR FEED SUB ASSY	46
-	-	-	-	-	690191-1	PLUG, NYLON	45
-	-	-	-	-	1-455673-5	RAM, SIDE FEED	44
-	-	-	-	-	690686-1	CRIMPER, BOLT SPECIAL	41
-	-	-	-	-	690125-1	SHIM SUB-ASSY	39
-	-	-	-	-	469367-7	SHIM	38
-	-	-	-	-	879103-2	FINE ADJUST HEAD ASSEMBLY	37
-	-	3	3	3	21024-5	WASHER, SPRG LOCK, REG NO 10	32
-	-	-	-	-	3-21000-4	SCR, SKT HD CAP 10-32 X .375	31
-	-	-	-	-	2-844048-7	PLATE, REAR STRIP GUIDE	29
-	-	2	2	2	5-21006-6	SCR, SET, CUP POINT 10-32 X .750	27
-	-	-	-	-	356835-1	LEVER, DRAG RELEASE	26
-	-	-	-	-	240792-1	DRAG, TERMINAL	25
-	-	-	-	-	1-690438-9	FRONT STRIP GUIDE	24
-	-	-	-	-	2-189124-3	GUIDE, FRONT STRIP	23
-	-	-	-	-	21055-6	WASHER, FLAT, REG NO 8	22
-	-	-	-	-	2-21000-8	SCR, SKT HD CAP 8-32 X .625	21
-	-	4	4	4	21024-4	WASHER, SPRG LOCK, REG NO 8	20
-	-	-	-	-	1-456468-1	STRIPPER, SPECIAL	19
-	-	-	-	-	1633124-7	PLATE, REAR SHEAR	15
-	-	-	-	-	1583859-4	BLADE, SLUG	10
-	-	-	-	-	1633507-2	ANVIL, SPECIAL, COMBINATION	8
-	-	-	-	-	2-238009-1	BLOCK, FL CRIMPER SPACER	4
-	-	-	-	-	8-1583690-4	CRIMPER, INSUL O	3
-	-	2	2	2	455888-3	SPACER, CRIMPER	2
-	-	-	-	-	6-1633305-8	CRIMPER, WIRE PREMIUM	1

△ 3

△ 3
 △ 3
 △ 3
 △ 3

DIMENSIONS:		TOLERANCES UNLESS OTHERWISE SPECIFIED:		MATERIAL:		FINISH:	
INCHES		0 PLC	±	WEIGHT			
		1 PLC	±0.1				
		2 PLC	±0.01				
		3 PLC	±0.001				
		4 PLC	±0.0001				
		ANGLES	±0.0001				

APPROVED	DATE	NAME	PRODUCT SPEC
T. ELBIN	26OCT2006	T. BENCHOFF	
APPROVED	DATE	NAME	APPLICATION SPEC
CUSTOMER DRAWING	SCALE	3:5	SHEET 1 OF 1

TYCO ELECTRONICS	TYCO ELECTRONICS
260012006	260012006
TYCO ELECTRONICS	TYCO ELECTRONICS
Harrisburg, PA 17105-3608	Harrisburg, PA 17105-3608
TYCO ELECTRONICS	TYCO ELECTRONICS
260012006	260012006
TYCO ELECTRONICS	TYCO ELECTRONICS
Harrisburg, PA 17105-3608	Harrisburg, PA 17105-3608