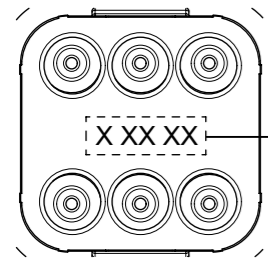
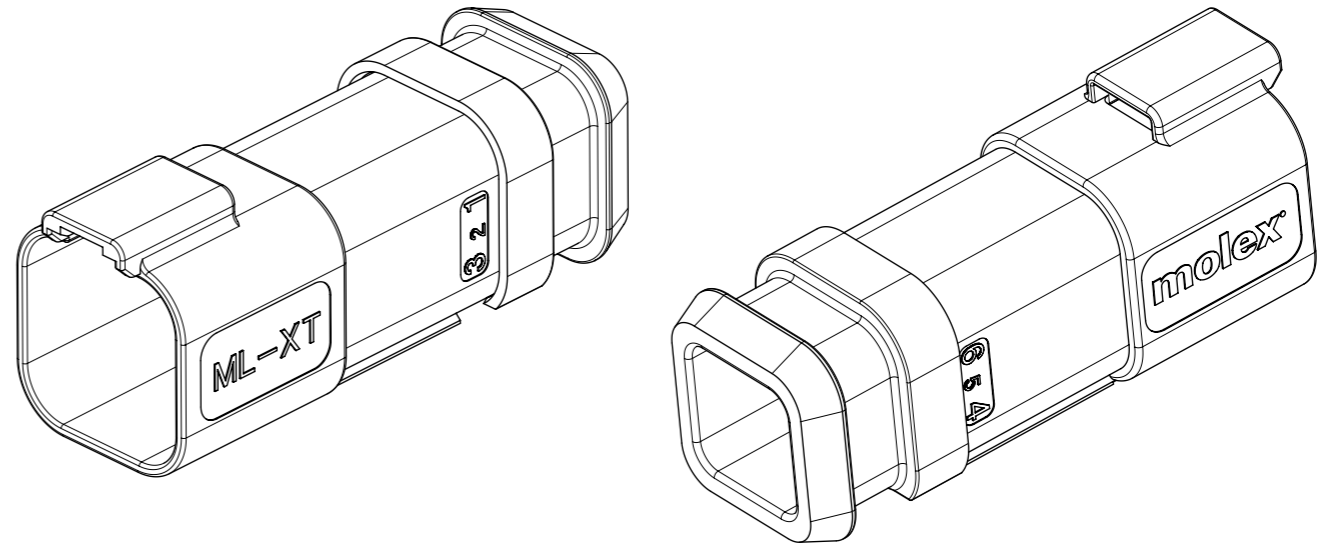
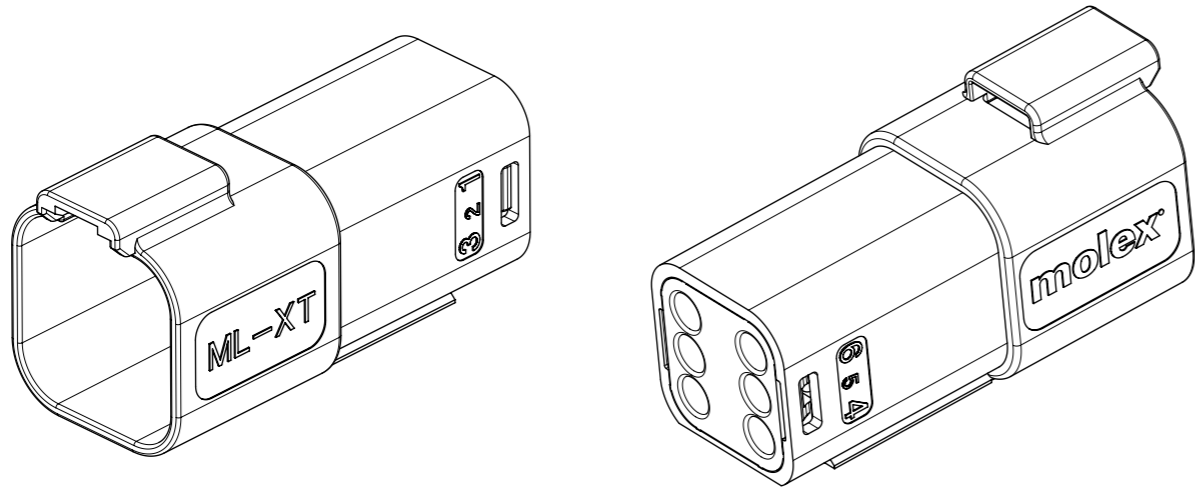


NOTES
 1. SEE SHEETS 2 TO 7 FOR ALL UNSPECIFIED NOTES, DIMENSIONS AND PART NUMBERS

THIS DRAWING CONTAINS INFORMATION THAT IS PROPRIETARY TO MOLEX ELECTRONIC TECHNOLOGIES, LLC AND SHOULD NOT BE USED WITHOUT WRITTEN PERMISSION									
DIMENSION UNITS	SCALE	CURRENT REV DESC: UPDATED HEATSHRINK							
mm	1.5:1								
GENERAL TOLERANCES (UNLESS SPECIFIED)					6CCT ML-XT CV CONNECTOR				
ANGULAR TOL	± 2.0°	EC NO: 604730			PRODUCT CUSTOMER DRAWING				
4 PLACES	±	DRWN: MQUINN 2018/10/16			DOCUMENT NUMBER				
3 PLACES	±	CHK'D: JFLETCHER 2018/10/17			934430040				
2 PLACES	± 0.1	APPR: STGRIFFIN 2018/10/23			DOC TYPE				
1 PLACE	± 0.2	INITIAL REVISION:			PSD				
0 PLACES	±	DRWN: JFLETCHER 2015/11/04			DOC PART				
DRAFT WHERE APPLICABLE MUST REMAIN WITHIN DIMENSIONS		THIRD ANGLE PROJECTION		DRAWING		SERIES		REVISION	
				A3-SIZE		93443		B2	
MATERIAL NUMBER			CUSTOMER			SHEET NUMBER			
SEE CHART			GENERAL MARKET			1 OF 7			

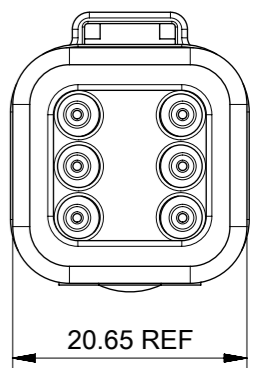
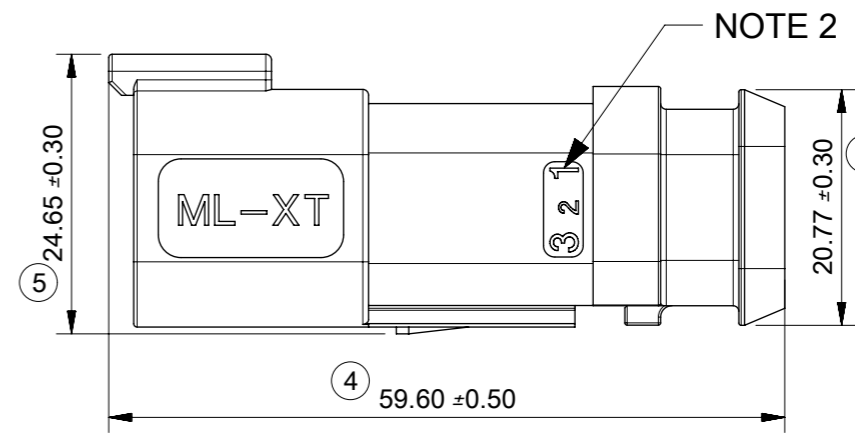
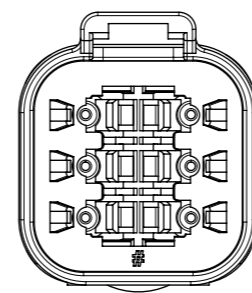
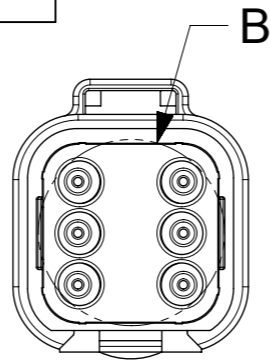
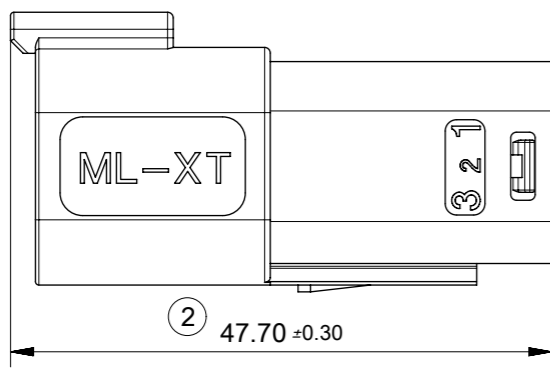
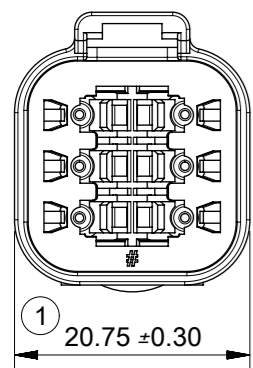
6CCT RECEPTACLE CONNECTOR

6CCT RECEPTACLE CONNECTOR WITH HEATSHRINK HOUSING ULTRASONICALLY WELDED IN PLACE



DATE CODE: X XX XX
 X — DAY: 1 - 7
 X — WEEK: 01 - 52
 X — YEAR: 00 - 99
 # — MACHINE NO. 1
 EXAMPLE: 11315 = DAY 1, WEEK 13, YEAR 15
 i.e. 23rd OF MARCH 2015

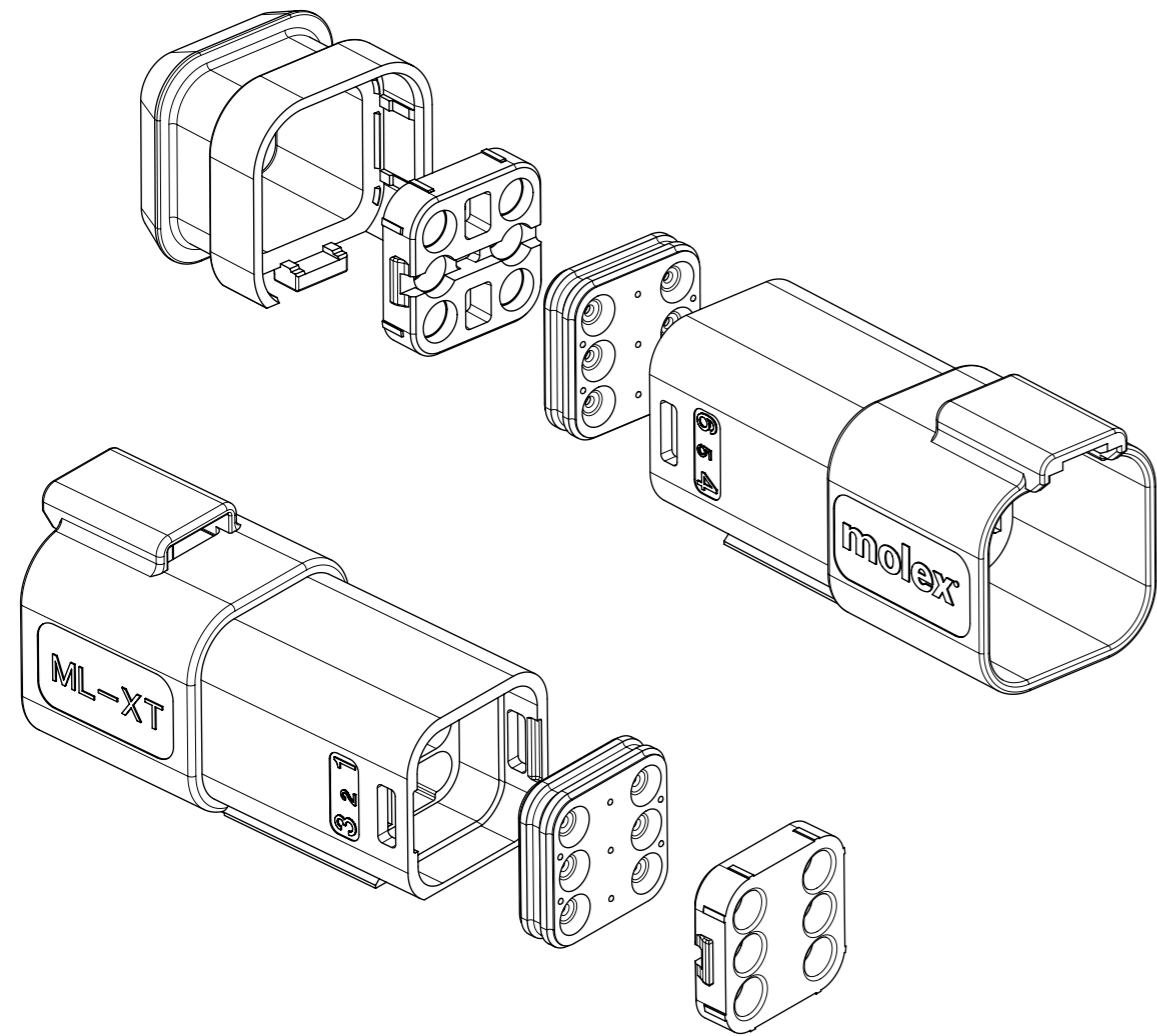
DETAIL B
 SCALE 2:1



1. MATERIAL
 HOUSING: NYLON 30%GF
 BACK SEAL: HIGH CONSISTENCY RUBBER
2. CIRCUIT IDENTIFICATION
3. JACKET RANGE LARGE = \varnothing 2.23MM - 3.68MM (SEAL COLOUR: LIGHT BLUE)
 JACKET RANGE SMALL = \varnothing 1.35MM - 3.05MM (SEAL COLOUR: BURNT ORANGE)
4. SEE SHEET 3 FOR FINAL PART NUMBER
5. SEE 934430010 PSP FOR PRODUCT SPECIFICATION
6. SEE 934430002 PSK FOR PACKAGING SPECIFICATION

INSPECTION NUMBERS 1 - 50 RESERVED FOR SHEET 2
 LAST INSPECTION NO. 5

THIS DRAWING CONTAINS INFORMATION THAT IS PROPRIETARY TO MOLEX ELECTRONIC TECHNOLOGIES, LLC AND SHOULD NOT BE USED WITHOUT WRITTEN PERMISSION		CURRENT REV DESC: UPDATED HEATSHRINK		molex	
DIMENSION UNITS	SCALE				
mm	1.5:1			6CCT ML-XT CV CONNECTOR	
GENERAL TOLERANCES (UNLESS SPECIFIED)				PRODUCT CUSTOMER DRAWING	
ANGULAR TOL	± 2.0°	EC NO:	604730	DOCUMENT NUMBER	934430040
4 PLACES	±	DRWN:	MQUINN 2018/10/16	DOC TYPE	PSD
3 PLACES	±	CHK'D:	JFLETCHER 2018/10/17	DOC PART	000
2 PLACES	± 0.1	APPR:	STGRIFFIN 2018/10/23	REVISION	B2
1 PLACE	± 0.2	INITIAL REVISION:		MATERIAL NUMBER	SEE CHART
0 PLACES	±	DRWN:	JFLETCHER 2015/11/04	CUSTOMER	GENERAL MARKET
DRAFT WHERE APPLICABLE MUST REMAIN WITHIN DIMENSIONS		THIRD ANGLE PROJECTION	DRAWING	SERIES	SHEET NUMBER
			A3-SIZE	93443	2 OF 7



6CCT RECEPTACLE CONNECTOR

SERIES No.

93444

CIRCUIT SIZE
4 = 6CCT

4

ASSEMBLY OPTIONS:

- 1 = RECEP ASSEMBLY FOR WIRE JACKET RANGE: \varnothing 1.35mm - 3.05mm (NOTE 2)
- 2 = RECEP ASSEMBLY FOR WIRE JACKET RANGE: \varnothing 2.23mm - 3.68mm (NOTE 2)
- 5 = RECEP ASSEMBLY & HEATSHRINK FOR WIRE JACKET RANGE: \varnothing 1.35mm - 3.05mm (NOTE 3)
- 6 = RECEP ASSEMBLY & HEATSHRINK FOR WIRE JACKET RANGE: \varnothing 2.23mm - 3.68mm (NOTE 3)

COLOUR

- 01=BLACK
- 02=GREY
- 03=GREEN
- 04=BLUE
- 05=YELLOW
- 06 = WHITE
- 07 = BROWN
- 08 = ORANGE
- 09 = RED

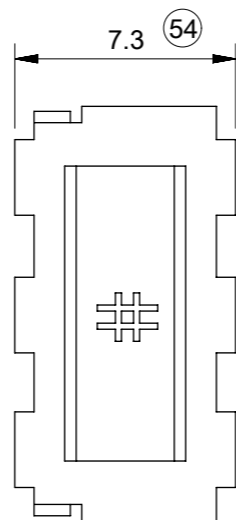
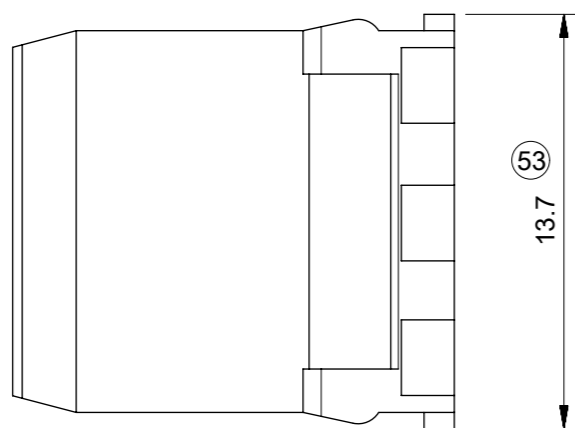
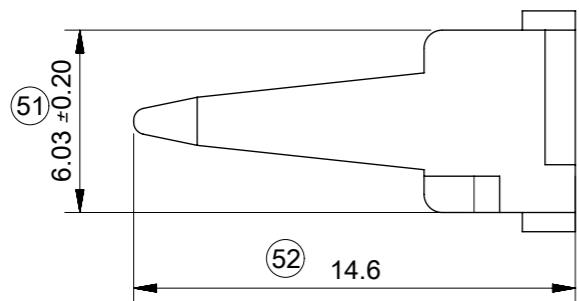
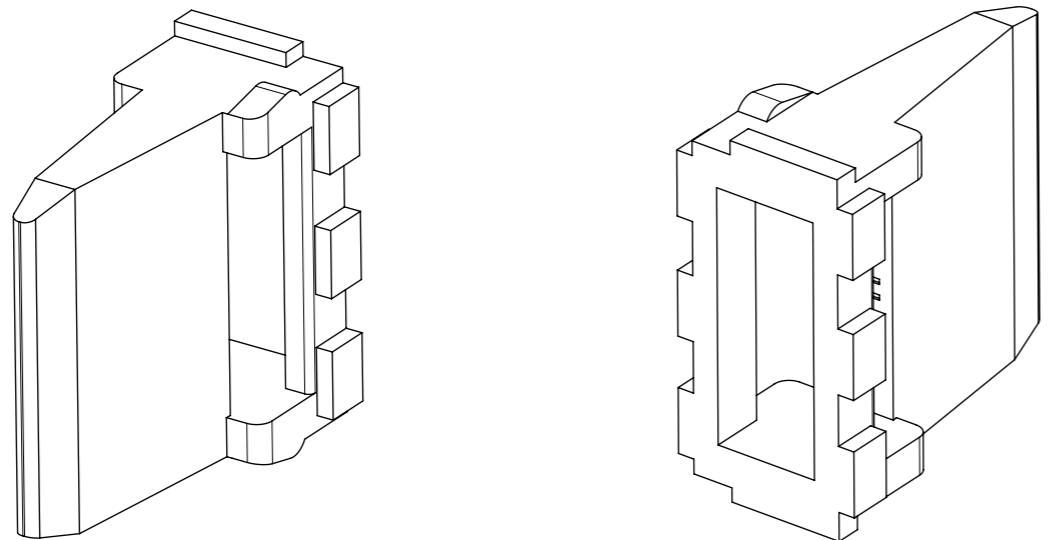
EXAMPLE:

6cct RECEP BLACK WITH LARGE SEAL AND HEATSHRINK = 93444-4601

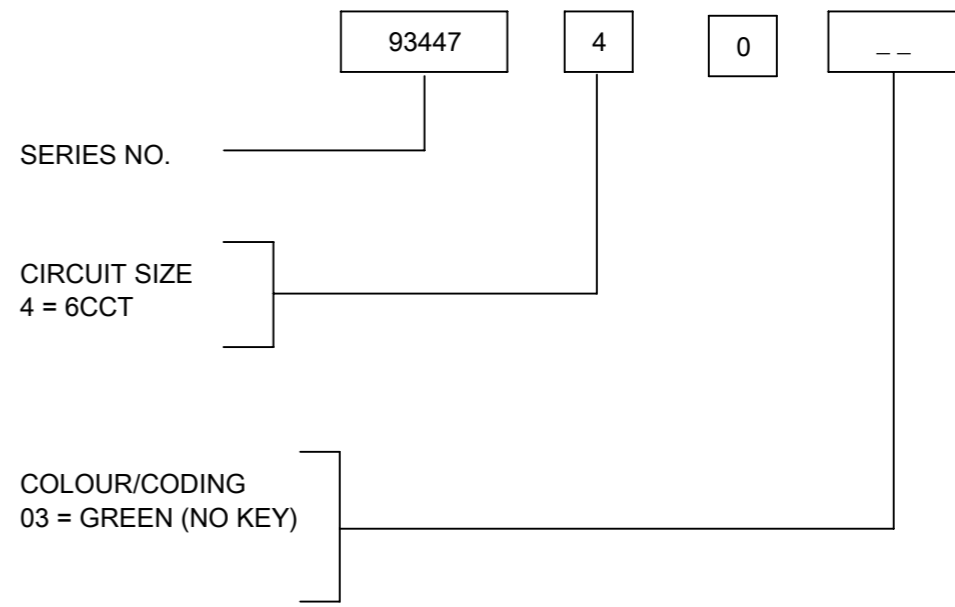
NOTES

- 1. SEE SHEET 2 FOR UNSPECIFIED NOTES AND DIMENSIONS
- 2. BACK COVER COLOUR BLACK
- 3. HEATSHRINK COLOUR BLACK

THIS DRAWING CONTAINS INFORMATION THAT IS PROPRIETARY TO MOLEX ELECTRONIC TECHNOLOGIES, LLC AND SHOULD NOT BE USED WITHOUT WRITTEN PERMISSION										
DIMENSION UNITS	SCALE	CURRENT REV DESC: UPDATED HEATSHRINK								
mm	1:1									
GENERAL TOLERANCES (UNLESS SPECIFIED)		EC NO: 604730					6CCT ML-XT CV CONNECTOR			
ANGULAR TOL	± 2.0°	DRWN: MQUINN 2018/10/16					PRODUCT CUSTOMER DRAWING			
4 PLACES	±	CHK'D: JFLETCHER 2018/10/17					DOCUMENT NUMBER			
3 PLACES	±	APPR: STGRIFFIN 2018/10/23					934430040			
2 PLACES	± 0.1	INITIAL REVISION:					DOC TYPE			
1 PLACE	± 0.2	DRWN: JFLETCHER 2015/11/04					PSD			
0 PLACES	±	APPR: JDWALLACE 2015/12/08					DOC PART			
DRAFT WHERE APPLICABLE MUST REMAIN WITHIN DIMENSIONS		THIRD ANGLE PROJECTION	DRAWING	SERIES	MATERIAL NUMBER	CUSTOMER	REVISION			
			A3-SIZE	93443	SEE CHART	GENERAL MARKET	B2			
							SHEET NUMBER			
							3 OF 7			



6CCT RECEPT. WEDGELOCK



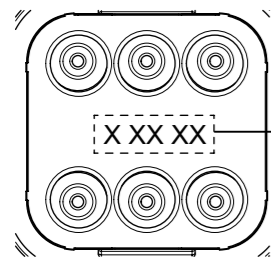
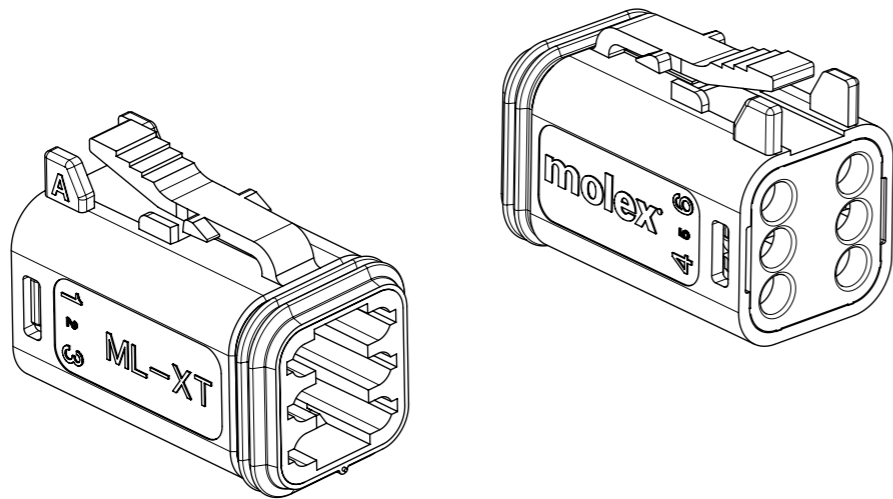
NOTES

1. MATERIAL NYLON 30%GF

INSPECTION NUMBERS 51-100 RESERVED FOR SHEET 4
LAST INSPECTION NO. 54

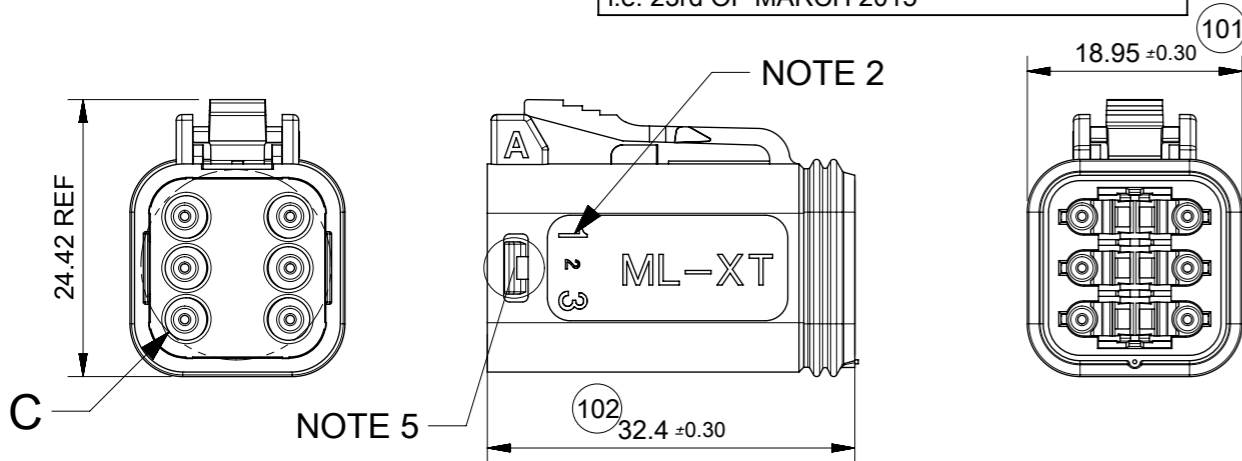
THIS DRAWING CONTAINS INFORMATION THAT IS PROPRIETARY TO MOLEX ELECTRONIC TECHNOLOGIES, LLC AND SHOULD NOT BE USED WITHOUT WRITTEN PERMISSION											
DIMENSION UNITS mm		SCALE 4:1		CURRENT REV DESC: UPDATED HEATSHRINK				molex		6CCT ML-XT CV CONNECTOR	
GENERAL TOLERANCES (UNLESS SPECIFIED)											
ANGULAR TOL		± 2.0 °		EC NO: 604730		2018/10/16		PRODUCT CUSTOMER DRAWING		DOCUMENT NUMBER 934430040	
4 PLACES		±		DRWN: MQUINN		2018/10/17					
3 PLACES		±		CHK'D: JFLETCHER		2018/10/17		INITIAL REVISION:		DOC TYPE PSD	
2 PLACES		± 0.1		APPR: STGRIFFIN		2018/10/23					
1 PLACE		± 0.2		DRWN: JFLETCHER		2015/11/04		DOC PART 000		REVISION B2	
0 PLACES		±		APPR: JDWALLACE		2015/12/08		MATERIAL NUMBER SEE CHART		CUSTOMER GENERAL MARKET	
DRAFT WHERE APPLICABLE MUST REMAIN WITHIN DIMENSIONS				THIRD ANGLE PROJECTION 		DRAWING A3-SIZE		SERIES 93443		SHEET NUMBER 4 OF 7	

6CCT PLUG CONNECTOR



DETAIL C
SCALE 2:1

DATE CODE: X XX XX
X — DAY: 1-7
X — WEEK: 01 - 52
X — YEAR: 00 - 99
— MACHINE NO. 1
EXAMPLE: 11315 = DAY 1, WEEK 13, YEAR 15
i.e. 23rd OF MARCH 2015



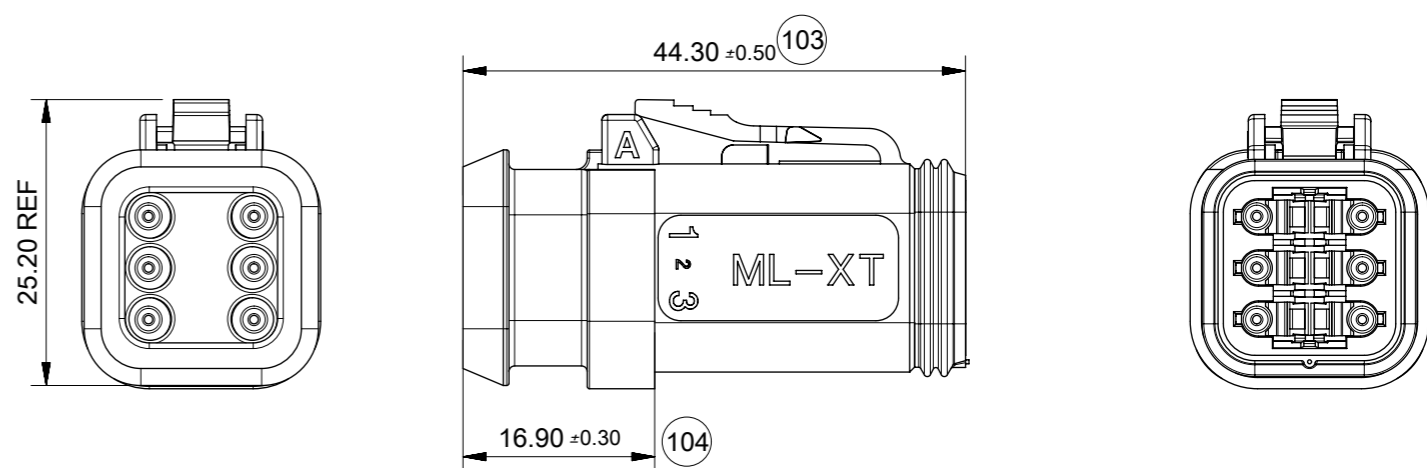
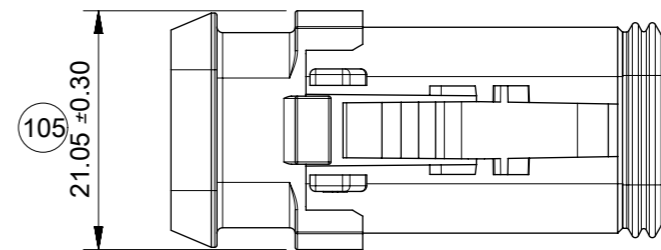
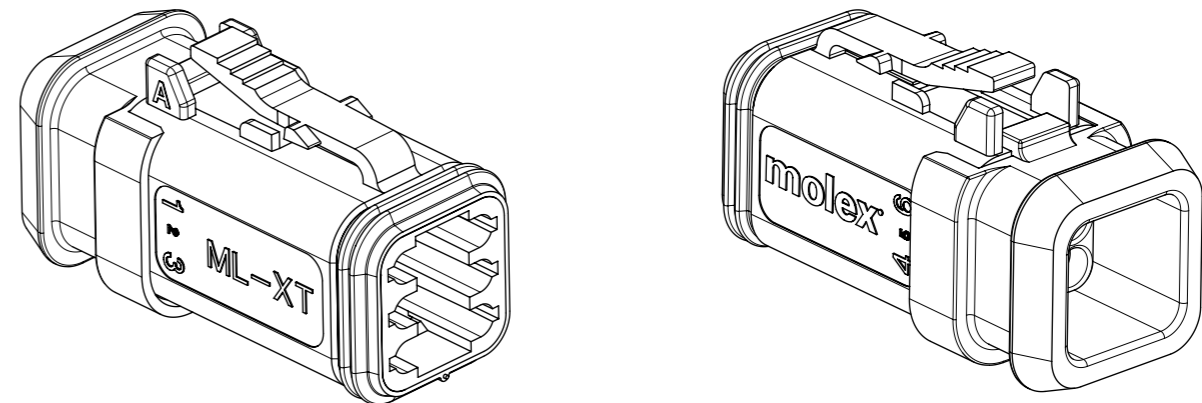
NOTES

- MATERIAL:
HOUSING: NYLON 30% GF
PLUG SEAL: SILICONE RUBBER
BACK SEAL: HIGH CONSISTENCY RUBBER
- CIRCUIT IDENTIFICATION
- JACKET RANGE LARGE = \varnothing 2.23MM TO 3.68MM (SEAL COLOUR: LIGHT BLUE)
JACKET RANGE SMALL = \varnothing 1.35MM TO 3.05MM (SEAL COLOUR: BURNT ORANGE)
- SEE SHEET 6 FOR FINAL PART NUMBER DESIGNATION
- LATCH TO BE FULLY ENGAGED IN WINDOW

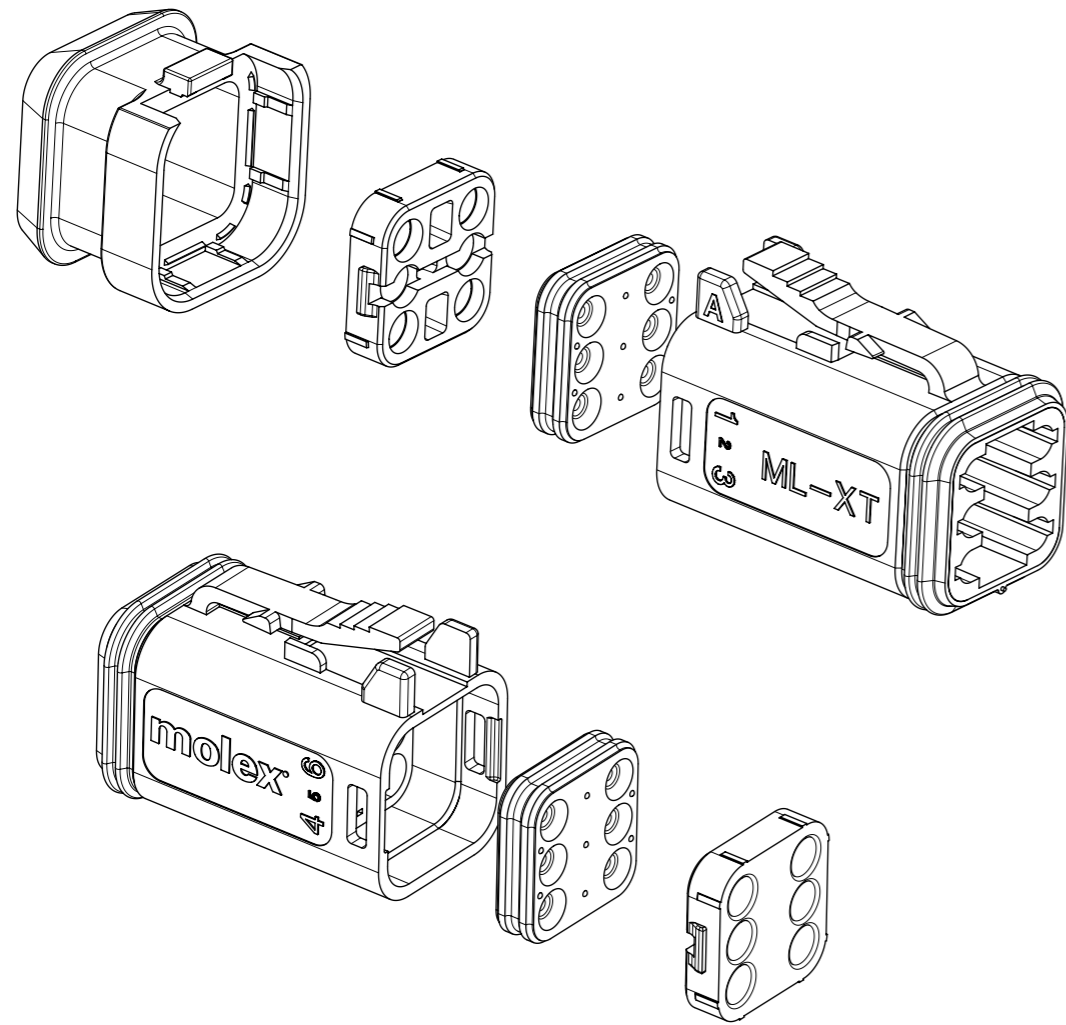
INSPECTION NUMBERS 101-150 RESERVED FOR SHEET 5
LAST INSPECTION NUMBER 105

DOCUMENT STATUS | P1 | RELEASE DATE | 2018/10/23 | 10:54:14

6CCT PLUG CONNECTOR WITH HEATSHRINK HOUSING ULTRASONICALLY WELDED IN PLACE



THIS DRAWING CONTAINS INFORMATION THAT IS PROPRIETARY TO MOLEX ELECTRONIC TECHNOLOGIES, LLC AND SHOULD NOT BE USED WITHOUT WRITTEN PERMISSION									
DIMENSION UNITS	SCALE	CURRENT REV DESC: UPDATED HEATSHRINK							
mm	1.5:1								
GENERAL TOLERANCES (UNLESS SPECIFIED)									
ANGULAR TOL	± 2.0°	6CCT ML-XT CV CONNECTOR							
4 PLACES	±	PRODUCT CUSTOMER DRAWING							
3 PLACES	±	DOCUMENT NUMBER DOC TYPE DOC PART REVISION							
2 PLACES	± 0.1	934430040 PSD 000 B2							
1 PLACE	± 0.2	INITIAL REVISION:							
0 PLACES	±	DRWN: JFLETCHER 2015/11/04 APPR: JDWALLACE 2015/12/08							
DRAFT WHERE APPLICABLE MUST REMAIN WITHIN DIMENSIONS		THIRD ANGLE PROJECTION	DRAWING	SERIES	MATERIAL NUMBER	CUSTOMER	SHEET NUMBER		
			A3-SIZE	93443	SEE CHART	GENERAL MARKET	5 OF 7		



6CCT PLUG CONNECTOR

93445

4

-

--

SERIES No. _____

CIRCUIT SIZE
4 = 6CCT

ASSEMBLY OPTIONS:

- 1 = PLUG ASSEMBLY FOR WIRE JACKET RANGE: Ø1.35mm - 3.05mm (NOTE 2)
- 2 = PLUG ASSEMBLY FOR WIRE JACKET RANGE: Ø2.23mm - 3.68mm (NOTE 2)
- 5 = PLUG ASSEMBLY & HEATSHRINK FOR WIRE JACKET RANGE: Ø1.35mm - 3.05mm (NOTE 3)
- 6 = PLUG ASSEMBLY & HEATSHRINK FOR WIRE JACKET RANGE: Ø2.23mm - 3.68mm (NOTE 3)

COLOUR

- 01=BLACK 06 = WHITE
- 02=GREY 07 = BROWN
- 03=GREEN 08 = ORANGE
- 04=BLUE 09 = RED
- 05=YELLOW

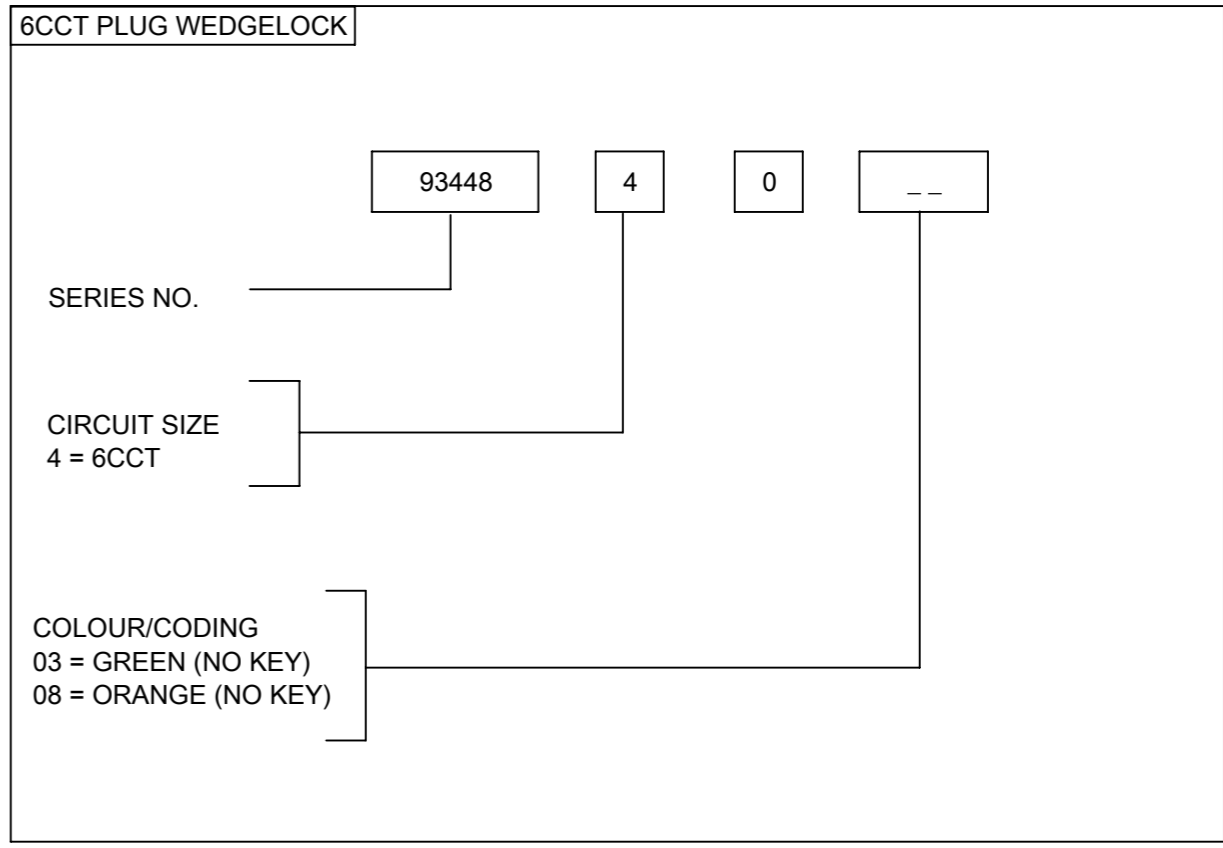
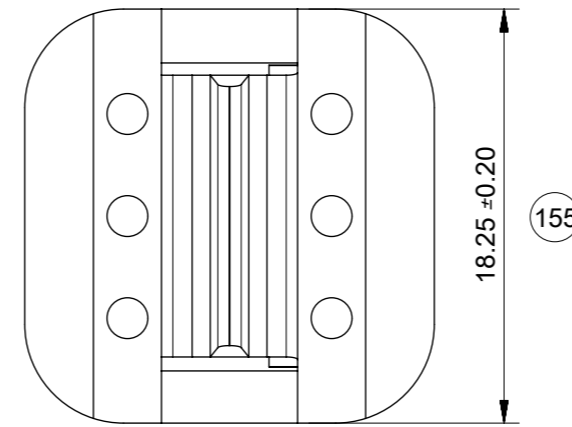
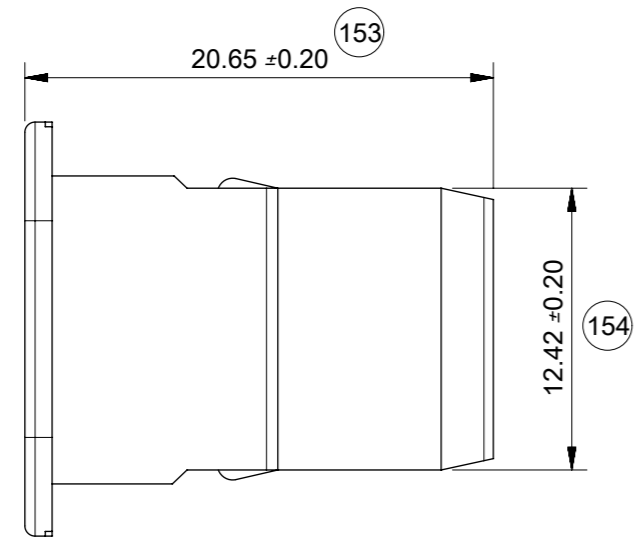
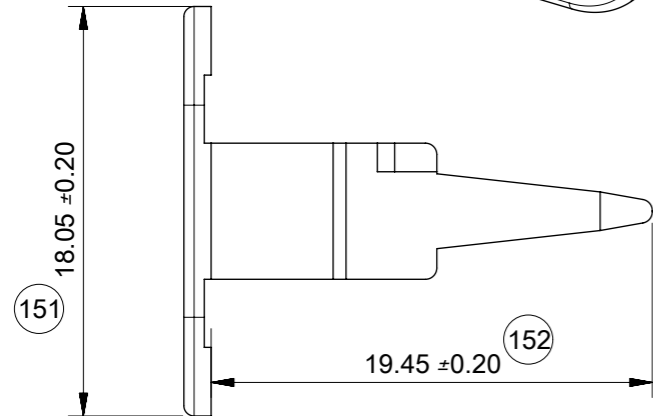
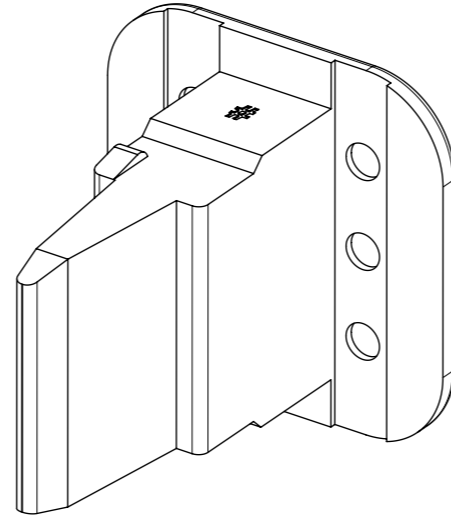
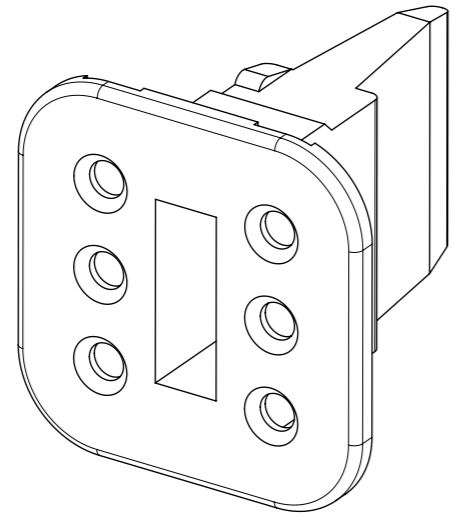
EXAMPLE:

6cct PLUG BLACK WITH LARGE SEAL AND HEATSHRINK = 93444-4601

NOTES

1. SEE SHEET 5 FOR UNSPECIFIED NOTES AND DIMENSIONS
2. BACK COVER COLOUR BLACK
3. HEATSHRINK COLOUR BLACK

THIS DRAWING CONTAINS INFORMATION THAT IS PROPRIETARY TO MOLEX ELECTRONIC TECHNOLOGIES, LLC AND SHOULD NOT BE USED WITHOUT WRITTEN PERMISSION										
DIMENSION UNITS	SCALE	CURRENT REV DESC: UPDATED HEATSHRINK				molex				
mm	1:1									
GENERAL TOLERANCES (UNLESS SPECIFIED)		EC NO: 604730				6CCT ML-XT CV CONNECTOR				
ANGULAR TOL	± 2.0°	DRWN: MQUINN		2018/10/16						
4 PLACES	±	CHK'D: JFLETCHER		2018/10/17						
3 PLACES	±	APPR: STGRIFFIN		2018/10/23		PRODUCT CUSTOMER DRAWING				
2 PLACES	± 0.1	INITIAL REVISION:				DOCUMENT NUMBER		DOC TYPE	DOC PART	REVISION
1 PLACE	± 0.2	DRWN: JFLETCHER		2015/11/04		934430040		PSD	000	B2
0 PLACES	±	APPR: JDWALLACE		2015/12/08						
DRAFT WHERE APPLICABLE MUST REMAIN WITHIN DIMENSIONS		THIRD ANGLE PROJECTION	DRAWING	SERIES	MATERIAL NUMBER	CUSTOMER		SHEET NUMBER		
			A3-SIZE	93443	SEE CHART	GENERAL MARKET		6 OF 7		



NOTES
1. MATERIAL NYLON 30%GF

INSPECTION NUMBERS 151-200 RESERVED FOR SHEET 7
LAST INSPECTION NO. 155

THIS DRAWING CONTAINS INFORMATION THAT IS PROPRIETARY TO MOLEX ELECTRONIC TECHNOLOGIES, LLC AND SHOULD NOT BE USED WITHOUT WRITTEN PERMISSION										
DIMENSION UNITS	SCALE	CURRENT REV DESC: UPDATED HEATSHRINK								
mm	3:1									
GENERAL TOLERANCES (UNLESS SPECIFIED)		EC NO: 604730			6CCT ML-XT CV CONNECTOR					
ANGULAR TOL	± 2.0 °	DRWN: MQUINN 2018/10/16			PRODUCT CUSTOMER DRAWING					
4 PLACES	±	CHK'D: JFLETCHER 2018/10/17			DOCUMENT NUMBER					
3 PLACES	±	APPR: STGRIFFIN 2018/10/23			934430040			DOC TYPE	DOC PART	REVISION
2 PLACES	± 0.1	INITIAL REVISION:			PSD 000 B2					
1 PLACE	± 0.2	DRWN: JFLETCHER 2015/11/04			MATERIAL NUMBER					
0 PLACES	±	APPR: JDWALLACE 2015/12/08			CUSTOMER					
DRAFT WHERE APPLICABLE MUST REMAIN WITHIN DIMENSIONS		THIRD ANGLE PROJECTION	DRAWING	SERIES	SHEET NUMBER		SHEET NUMBER			
			A3-SIZE	93443	7 OF 7		7 OF 7			