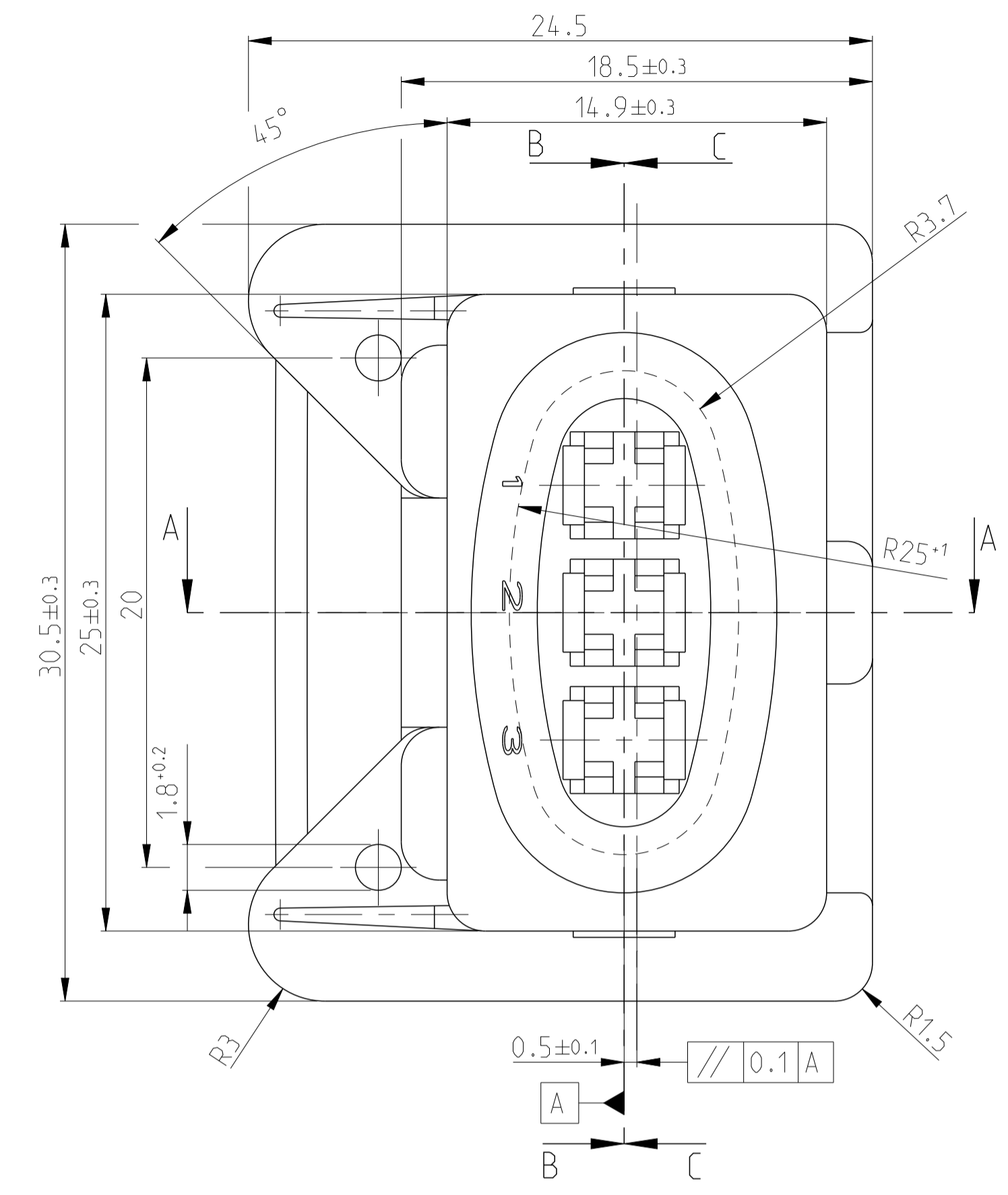
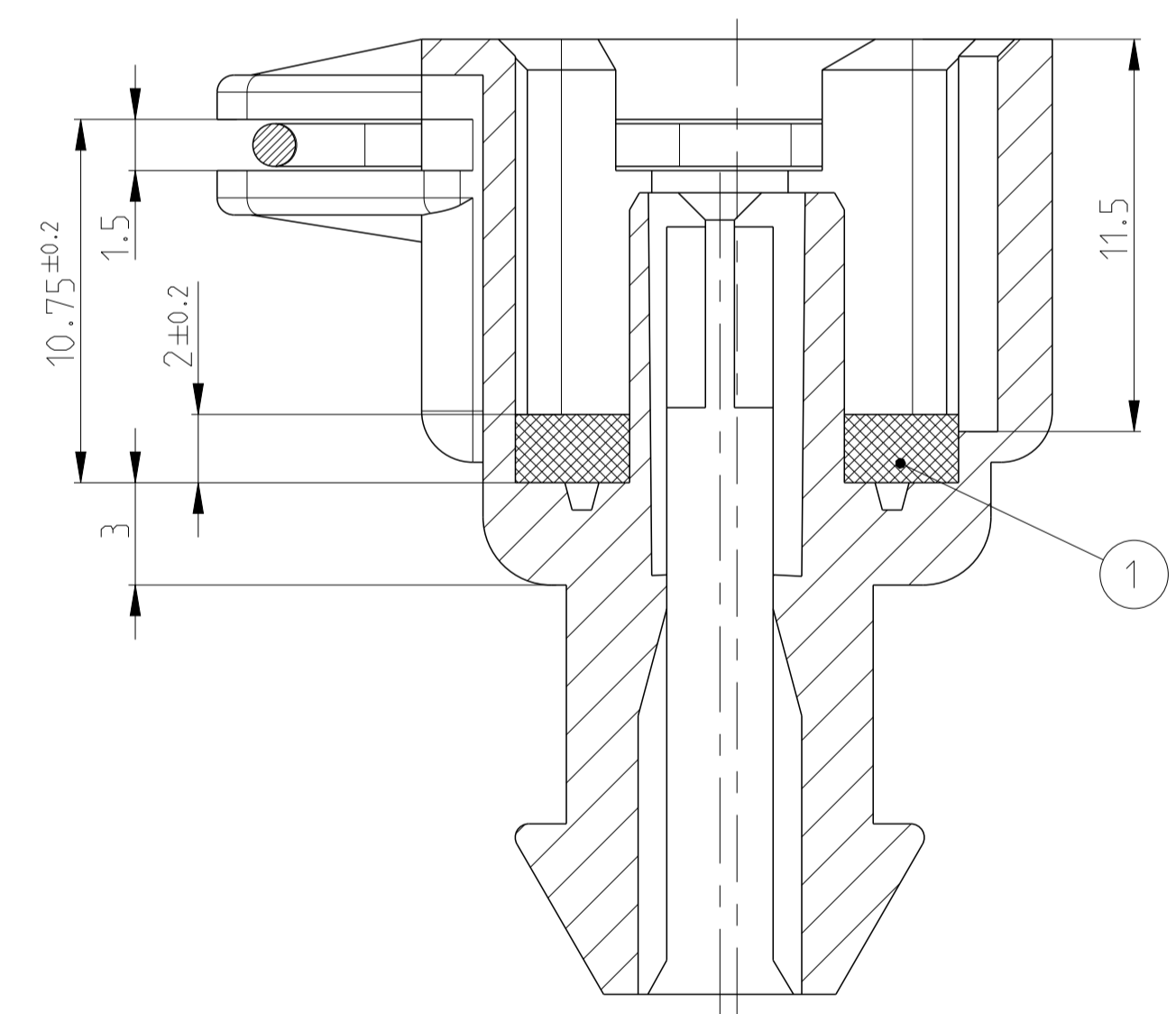


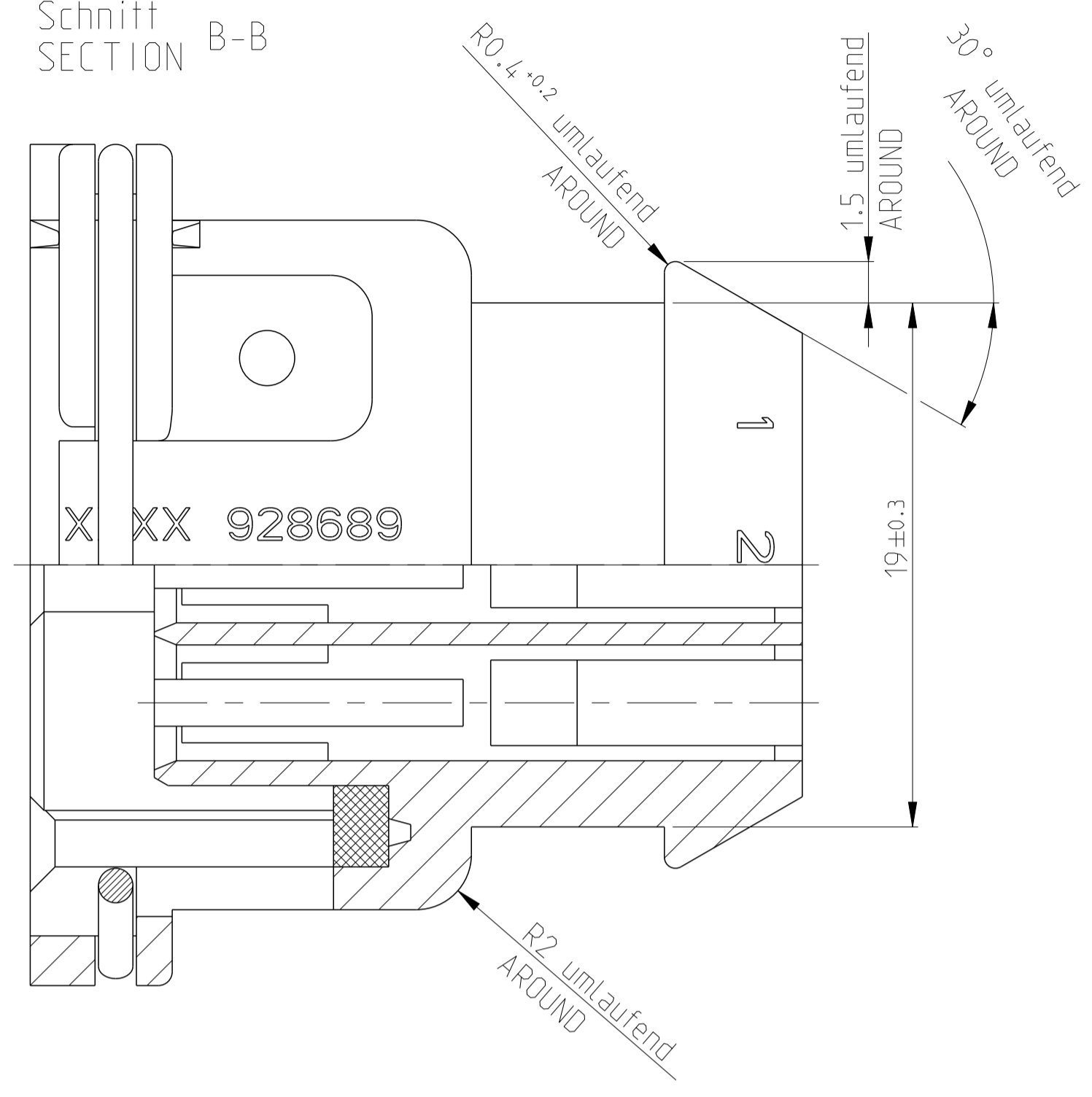
REVISIONS				
P.	LTN	DESCRIPTION	DATE	DMN APVD
A1		NEW DRAWING CREATED	29MAY2007	HAAS STRE
A2		SET PN 's OBSOLETE	10AUG2017	HD. KRAU
A3		General Tolerance added	2FEB2018	MN MN



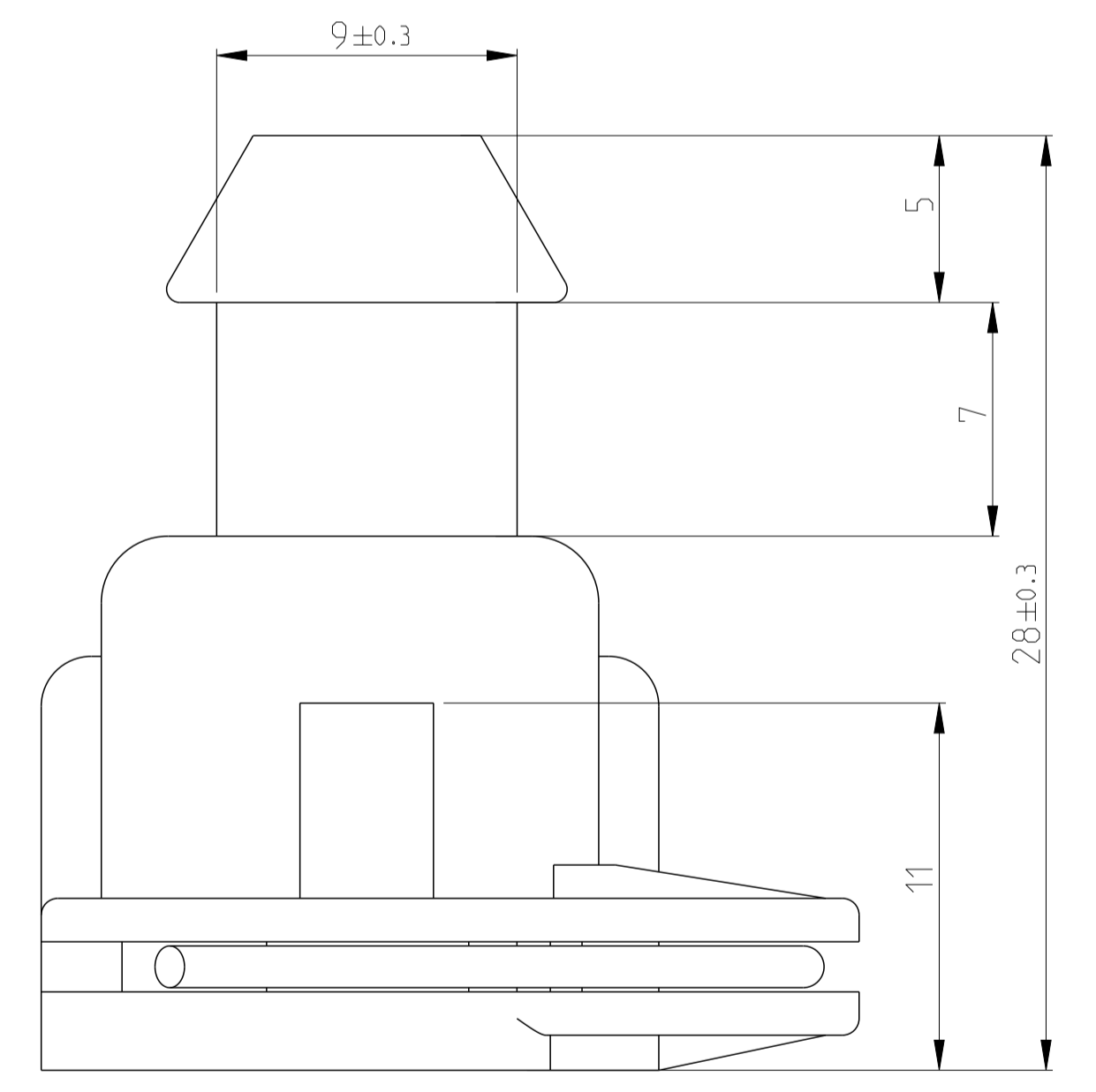
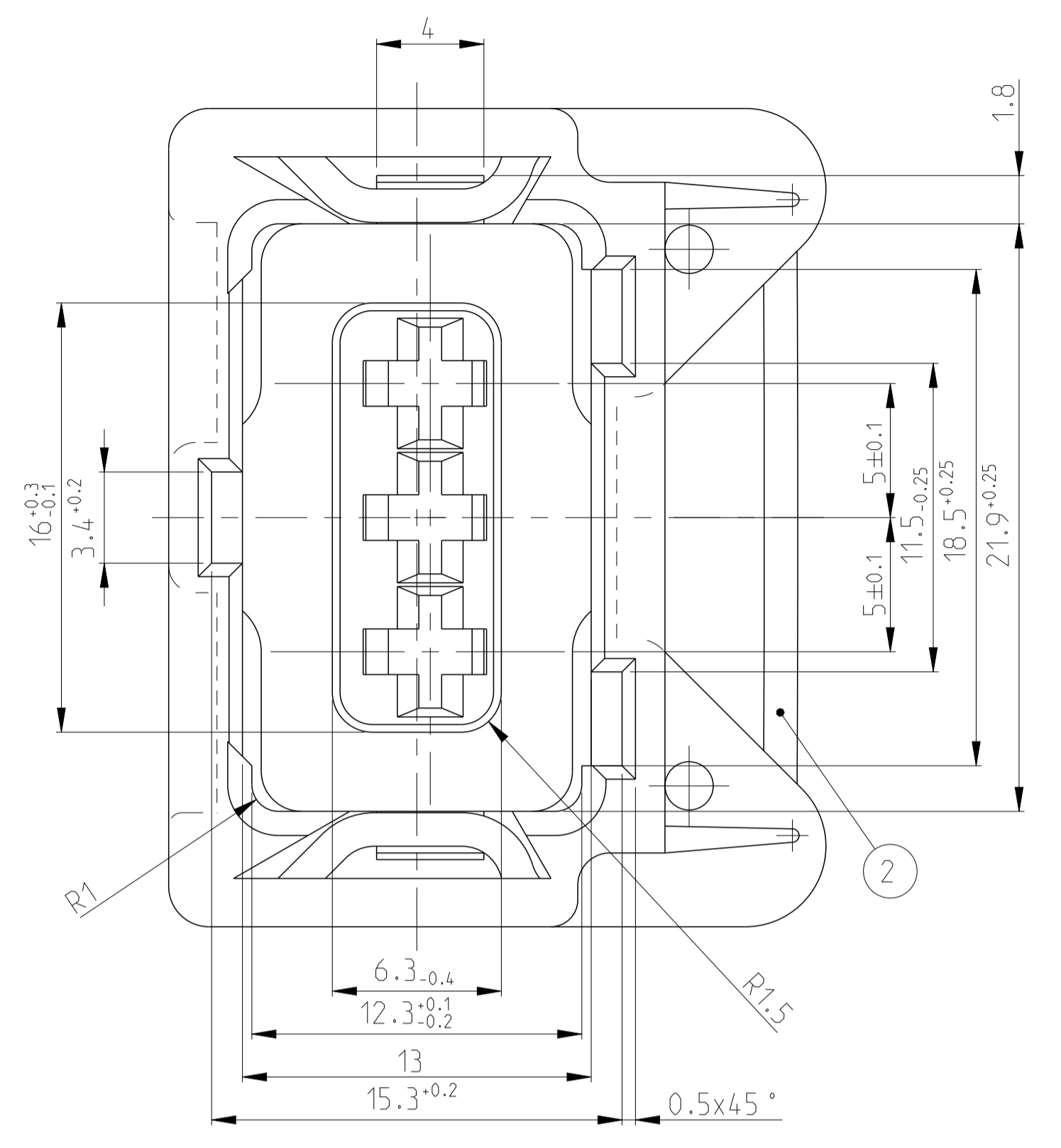
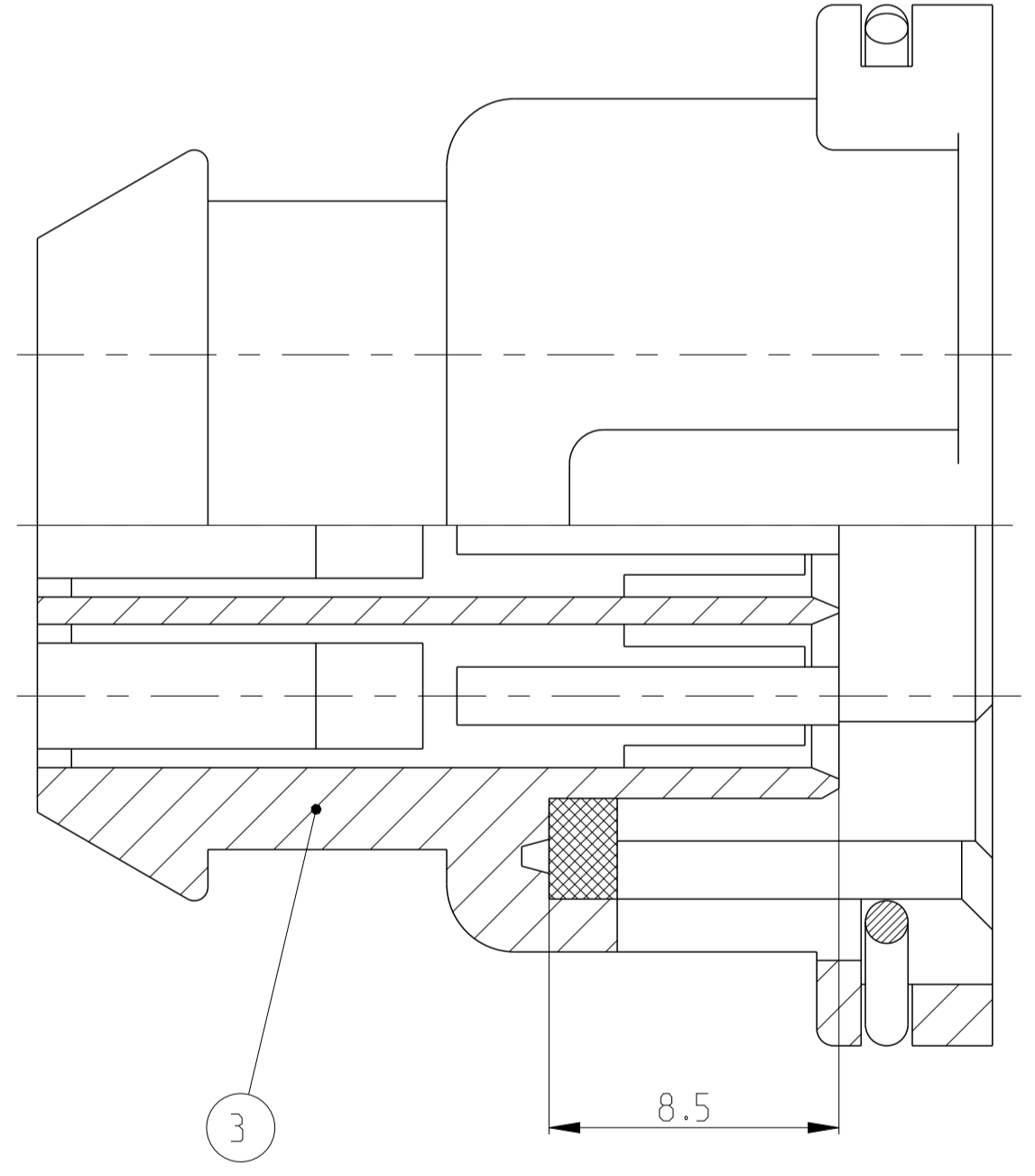
Schnitt SECTION A-A



Schnitt SECTION B-B



Schnitt SECTION C-C



REVISION	OB	OB	OB	OB	A	A	OB					
	SOB	SOB	SOB	SOB			SOB					
X								3	3 POS. HOUSING	PA6.6 GV30	YELLOW	
	X							3	3 POS. HOUSING	PA6.6 GV30	RED	
		X						3	3 POS. HOUSING	PA6.6 GV30	GREEN	
			X					3	3 POS. HOUSING	PA6.6 GV30	BLUE	
				X				3	3 POS. HOUSING	PA6.6 GV30	BROWN	
					X			3	3 POS. HOUSING	PA6.6 GV30	BLACK	
						X		3	3 POS. HOUSING	PA6.6 GV30	GREY	
							X	3	3 POS. HOUSING	PA6.6 GV30	WHITE	
X	X	X	X	X	X	X	X	2	SPRING	SPRING STEEL WIRE Federstahl	PLAIN blank	
X	X	X	X	X	X	X	X	1	SEALING	CR	BLACK	
828748-8									ITEM NO.			
828748-7									Pos.			
828748-6									DESCRIPTION			
828748-5									MATERIAL			
828748-4									Werkstoff			
828748-3									COLOR			
828748-2									Farbe			
828748-1												

THIS DRAWING IS A CONTROLLED DOCUMENT.

DMN: Kowolik, R. 30JAN1987  
 CHK: M. G. 10FEB1987  
 APVD: Bleicher, M. 01SEP2006  
 PRODUCT SPEC: -

APPLICATION SPEC: -

WEIGHT: -

CUSTOMER DRAWING

NAME: ASSY OF 3 POS. HOUSING FOR JUNIOR (POWER) TIMER CONTACT

SIZE: A1 CAGE CODE: 00779 DRAWING NO: 828748

RESTRICTED TO: -

SCALE: 5:1 SHEET: 1 OF 1 REV: A3

TE Connectivity