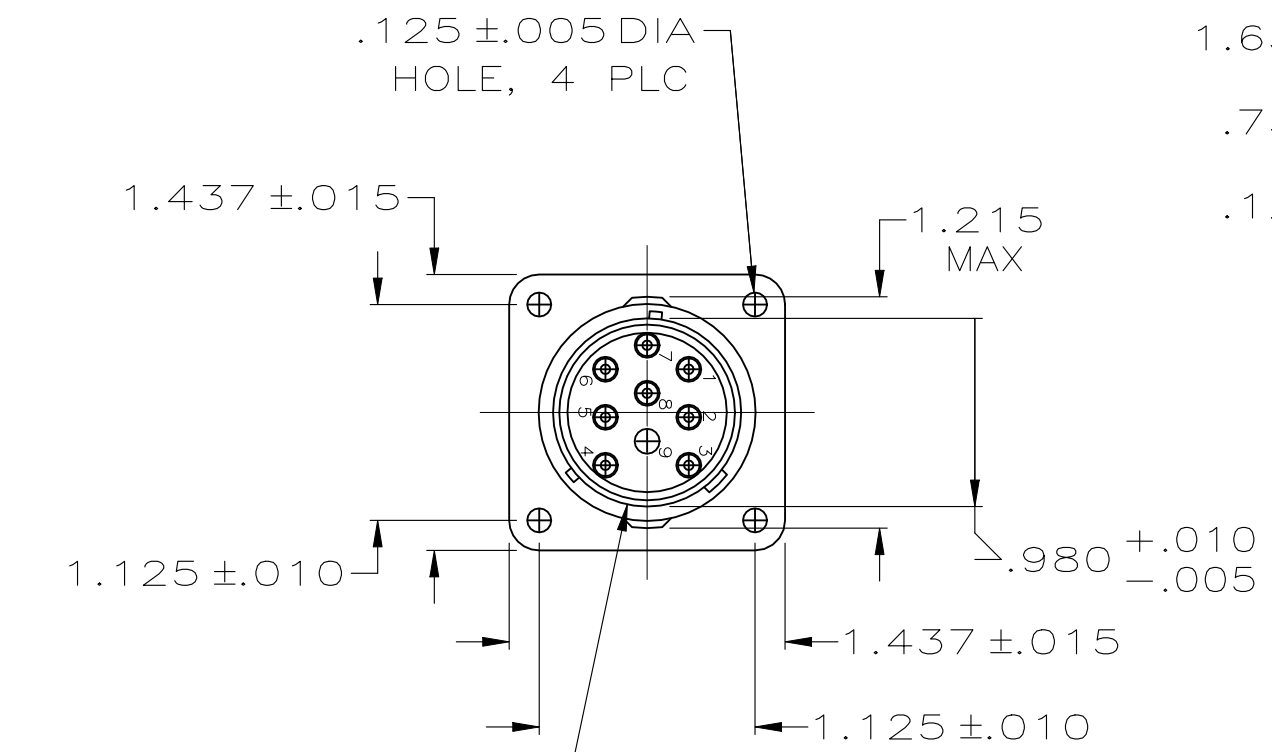
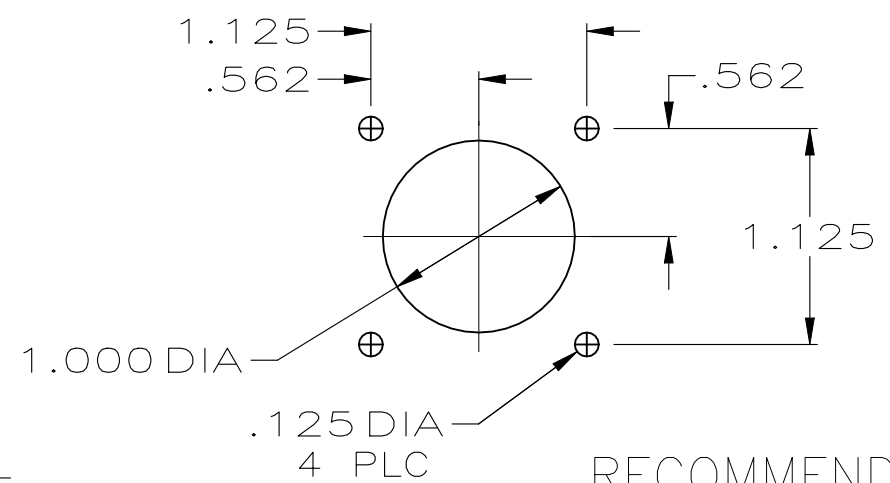
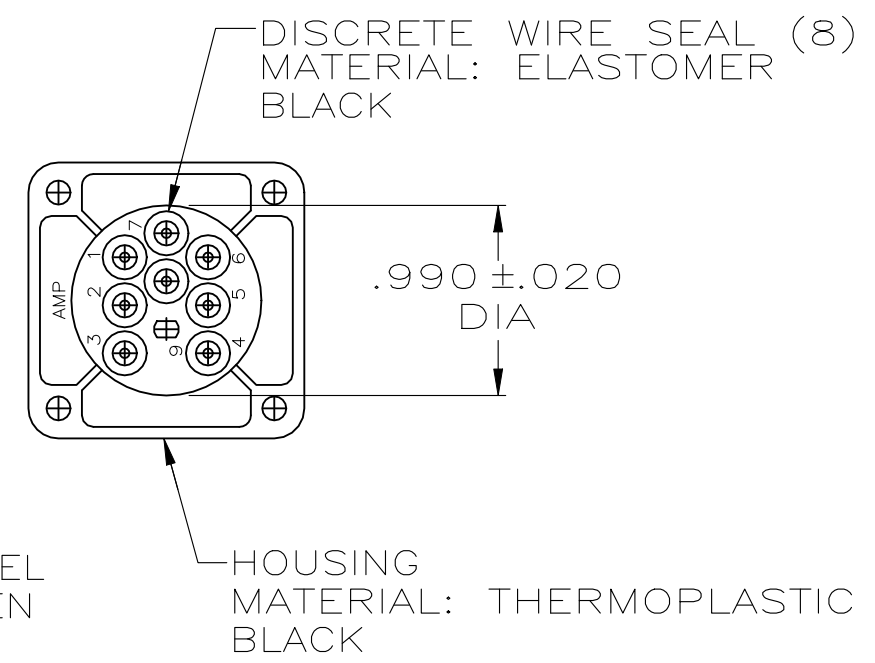
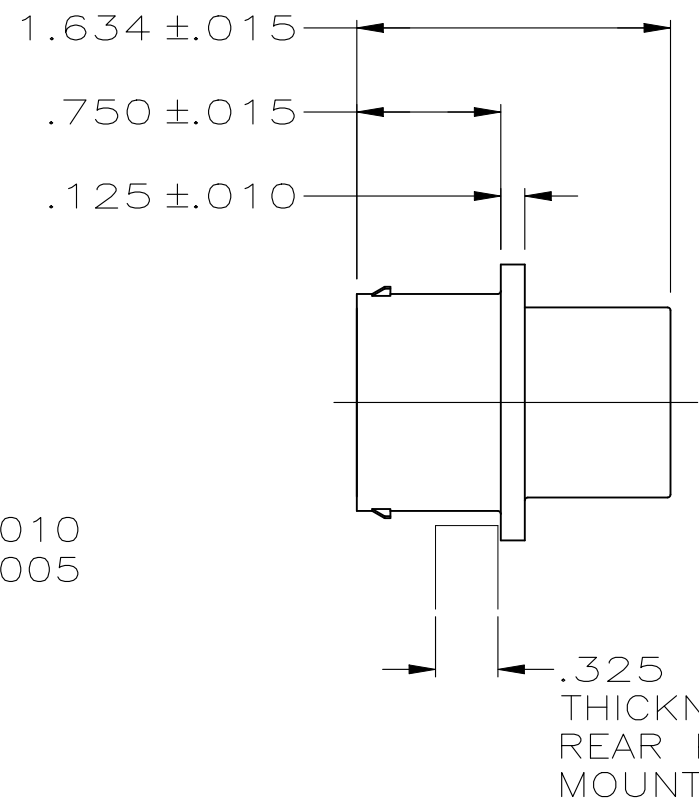


| REVISIONS | | | | | |
|-----------|-----|---------------------|-----------|-----|------|
| P | LTR | DESCRIPTION | DATE | DWN | APVD |
| | H | PER PCN E-20-018081 | 10MAR2021 | SCK | |



PERIPHERAL SEAL MATERIAL: ELASTOMER BLACK



RECOMMENDED PANEL CUTOUT

1. WIRE INSULATION SEALING RANGE .070-.115 DIA.
2. MATES WITH 208678-1.
3. TOTAL LENGTH OF MATED CONNECTORS IS LESS THAN 2.50 INCHES.
4. THIN MEMBRANE PERMISSIBLE ON SMALL DIAMETER OF WIRE SEALS.
5. ROTATION OF CAVITY CIRCUIT KEY FROM PART TO PART IS PERMISSIBLE.

208677-1
PART NUMBER

| | | | | | | | | | | | | | | | | | |
|---|--------|---------------------------------|---|----------------------|------------------------|-------|-----|-------|--------|-------|-----|--------|-----|--------------------------------------|------|--|--|
| THIS DRAWING IS A CONTROLLED DOCUMENT. | | DWN J GALLUCCI BG 8-10-90 | TE Connectivity ECONOSEAL, SQUARE FLANGE RECEPTACLE, SHELL SIZE 17, 8 POSN, PIN CONTACTS | | | | | | | | | | | | | | |
| DIMENSIONS: INCHES | | CHK J.McCLINTON 1-4-91 | | | | | | | | | | | | | | | |
| TOLERANCES UNLESS OTHERWISE SPECIFIED: | | APVD 1-18-91 K.BEAVER | NAME | | | | | | | | | | | | | | |
| <table border="1"> <tr><td>0 PLC</td><td>± -</td></tr> <tr><td>1 PLC</td><td>± -</td></tr> <tr><td>2 PLC</td><td>± -</td></tr> <tr><td>3 PLC</td><td>± .005</td></tr> <tr><td>4 PLC</td><td>± -</td></tr> <tr><td>ANGLES</td><td>± -</td></tr> </table> | | 0 PLC | ± - | 1 PLC | ± - | 2 PLC | ± - | 3 PLC | ± .005 | 4 PLC | ± - | ANGLES | ± - | PRODUCT SPEC 1-29-91 J.FULPONI | SIZE | | |
| 0 PLC | ± - | | | | | | | | | | | | | | | | |
| 1 PLC | ± - | | | | | | | | | | | | | | | | |
| 2 PLC | ± - | | | | | | | | | | | | | | | | |
| 3 PLC | ± .005 | | | | | | | | | | | | | | | | |
| 4 PLC | ± - | | | | | | | | | | | | | | | | |
| ANGLES | ± - | | | | | | | | | | | | | | | | |
| MATERIAL SEE CALLOUT | | FINISH - | APPLICATION SPEC | WEIGHT 0.000000 | RESTRICTED TO | | | | | | | | | | | | |
| | | | SCALE 1:1 | CAGE CODE A300779 | DRAWING NO C-208677 | | | | | | | | | | | | |
| | | | SHEET 1 OF 1 | REV H | | | | | | | | | | | | | |