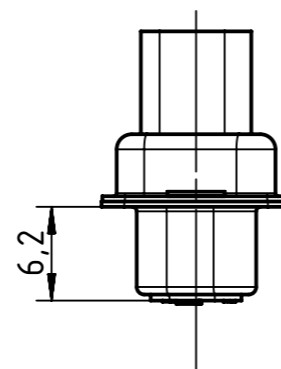
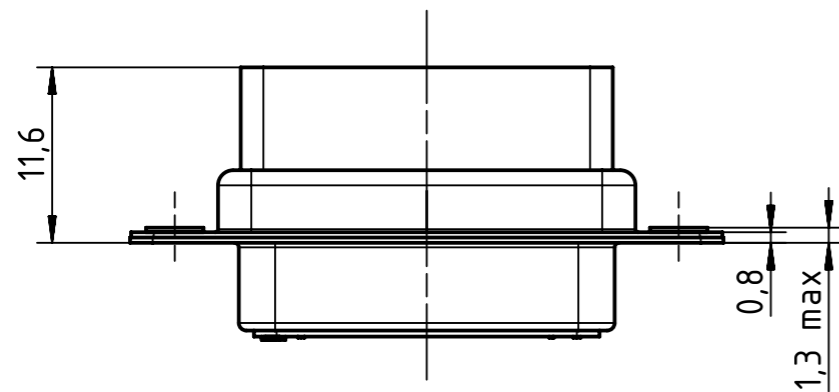
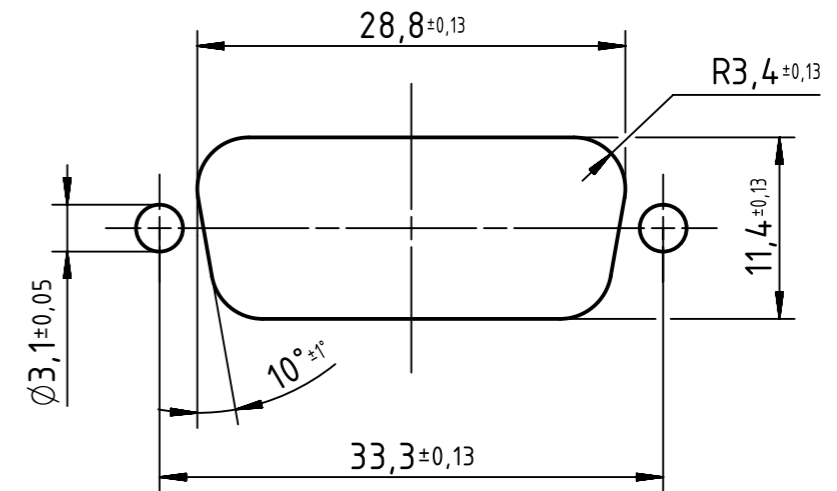
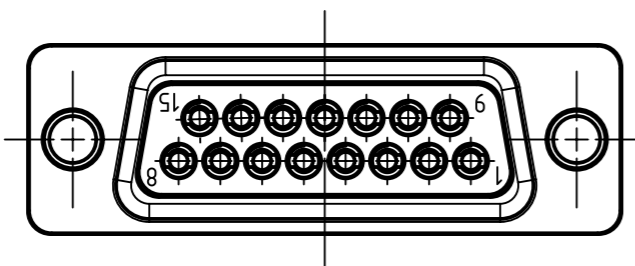
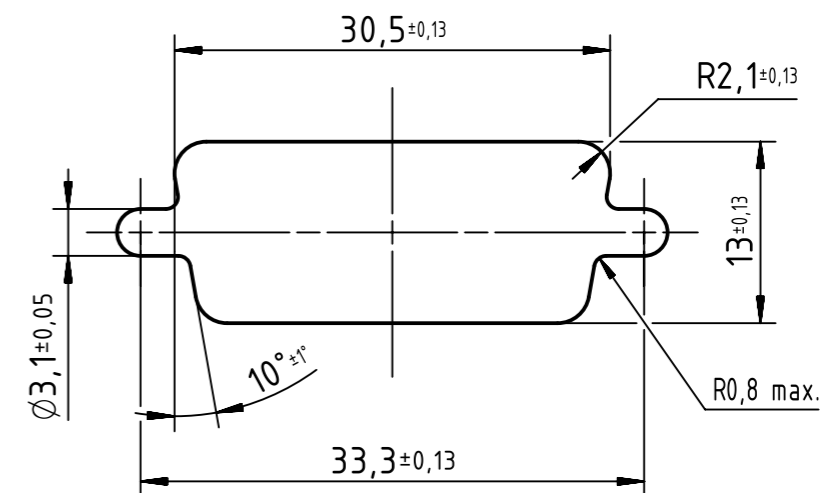


Rear mounting panel cut out



Front mounting panel cut out



	All Dimensions in mm Original Size DIN A3		Scale 2:1	Free size tol.		Ref.	
	All rights reserved Department EC PD - CN		Created by ZHUANGJ	Inspected by LUOK	Standardisation HOFFMANN	Date 2017-04-06	State Final Release
HARTING Electronics GmbH D-32339 Espelkamp		Title D-Sub crimp 15-pole female assembly				Doc-Key / ECM-Nr. 100235539/UGD/001/B 500000117639	
		Type TB	Number 09670154701		Rev. B	Page 1/1	