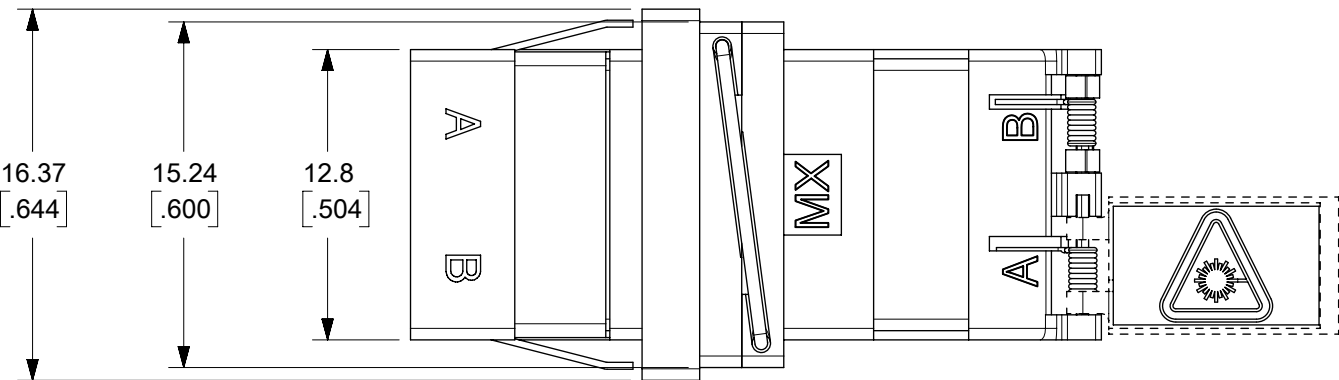
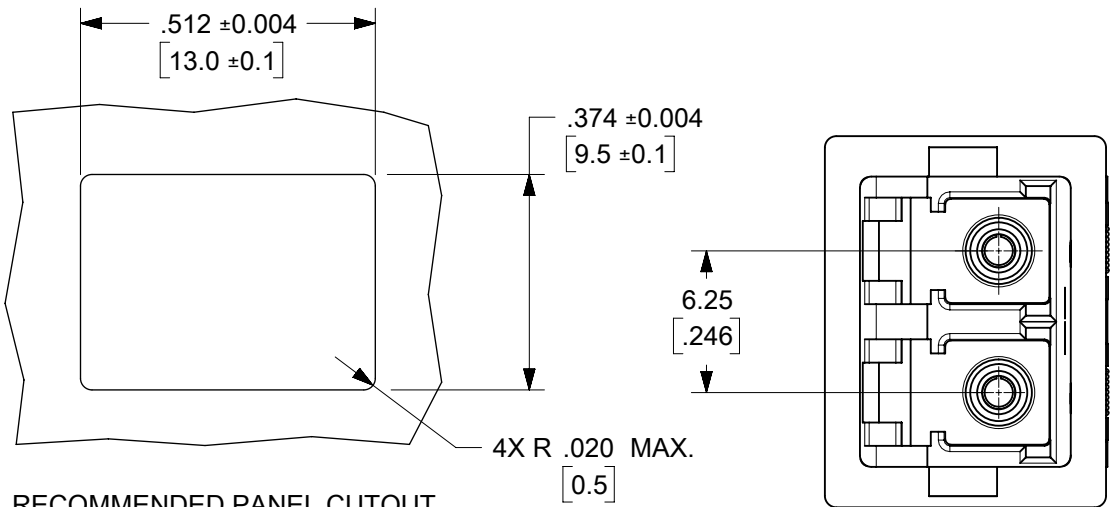
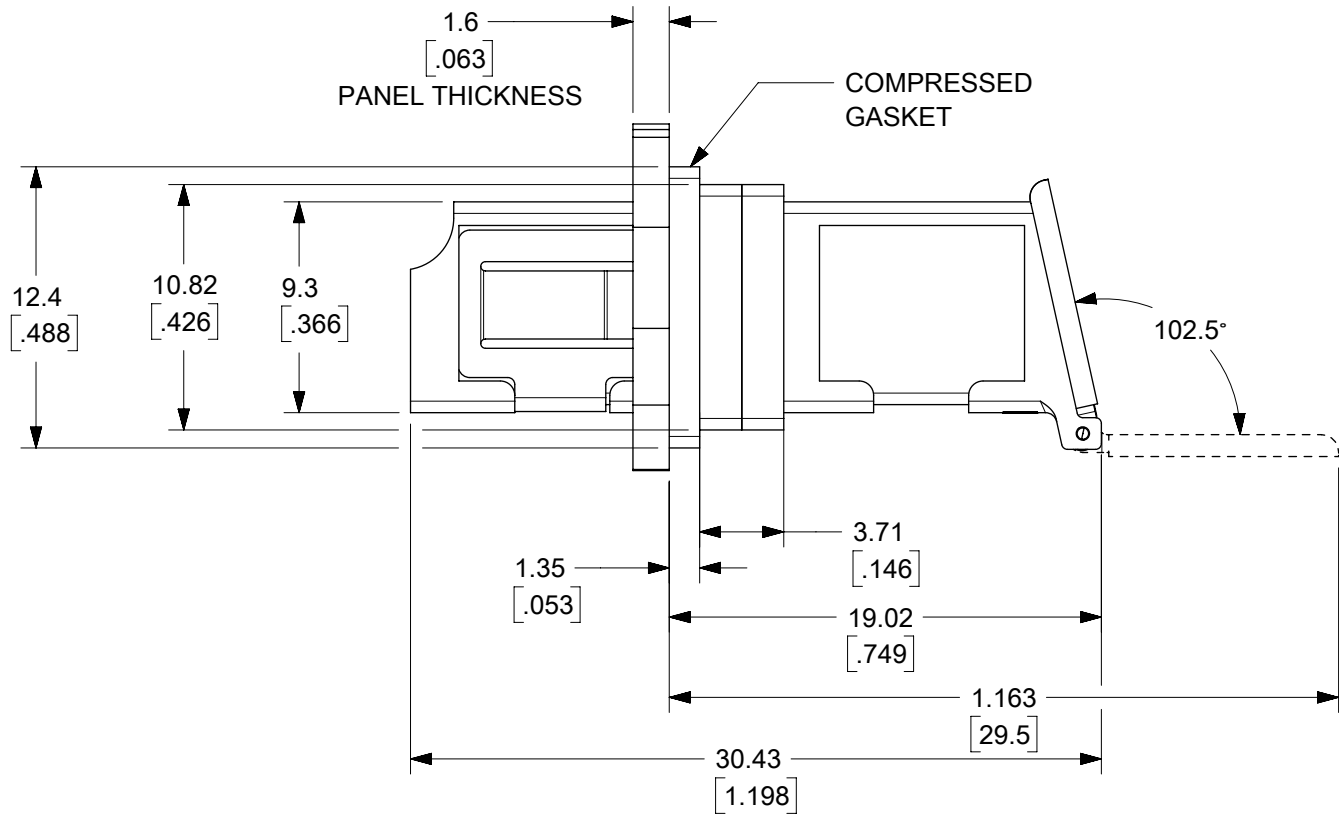
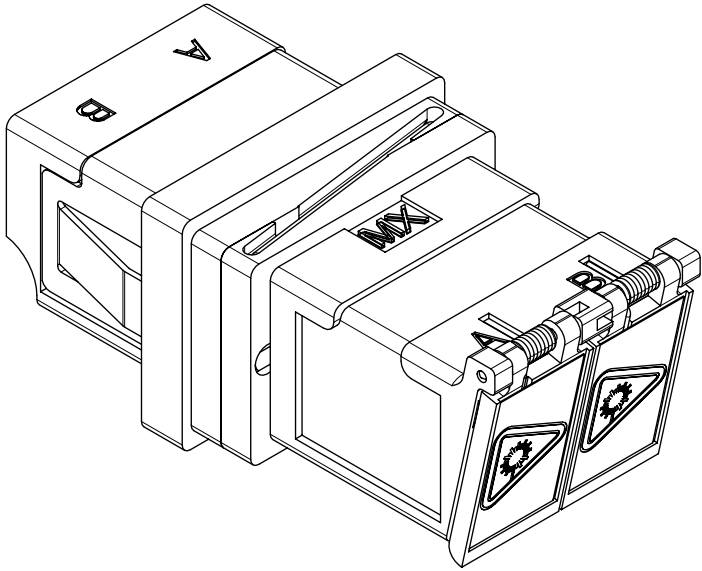


ADAPTER P/N	SPLIT SLEEVE MATERIAL	EMI GASKET MATERIAL
1061152110	Zr	FABRIC OVER FOAM
1061152116	Ph.Bronze	FABRIC OVER FOAM
1061152117	Zr	SOLID



RECOMMENDED PANEL CUTOUT  
PANEL THICKNESS- .063in / 1.6mm

- NOTES:
1. ALL DIMENSIONS ARE FOR REFERENCE ONLY
  2. CONDUCTIVE FABRIC OVER FOAM GASKET IS SUPPLIED WITH PART.
  3. PART IS DIECAST.
  4. DUST CAPS NOT SHOWN.
  5. ADAPTERS TO BE PACKED IN TRAY

THIS DRAWING CONTAINS INFORMATION THAT IS PROPRIETARY TO MOLEX ELECTRONIC TECHNOLOGIES, LLC AND SHOULD NOT BE USED WITHOUT WRITTEN PERMISSION									
FUNCTIONAL SYMBOLS	DIMENSION UNITS	SCALE	CURRENT REV DESC:						
$\nabla = 0$	INCH/MM	3:1	<b>molex</b> LC-D EMI ADAPTER, (SNAP MOUNT, W/SHUTTERS)						
$\nabla = 0$	GENERAL TOLERANCES (UNLESS SPECIFIED)								
$\nabla = 0$	ANGULAR TOL ± 0.5°								
DIVISIONAL SYMBOLS	4 PLACES ±	3 PLACES ±	EC NO: 703247	2022/04/06	PRODUCT CUSTOMER DRAWING DOCUMENT NUMBER: SD-106115-211X   DOC TYPE: PSD   DOC PART: 001   REVISION: C				
	2 PLACES ±	1 PLACE ±	DRWN: RHA02	2022/04/15					
	1 PLACE ±	0 PLACES ±	CHKD: WCHEN	2022/04/15	INITIAL REVISION:		2006/01/09	MATERIAL NUMBER	
	DRAFT WHERE APPLICABLE MUST REMAIN WITHIN DIMENSIONS		APPR: WCHEN	2022/04/15	DRWN: PGIBLIN	2006/01/09	APPR: IGUMIN	CUSTOMER	
	THIRD ANGLE PROJECTION		DRAWING	SERIES	MATERIAL NUMBER		CUSTOMER		SHEET NUMBER
	B-SIZE		106115	GENERAL MARKET		1 OF 1			