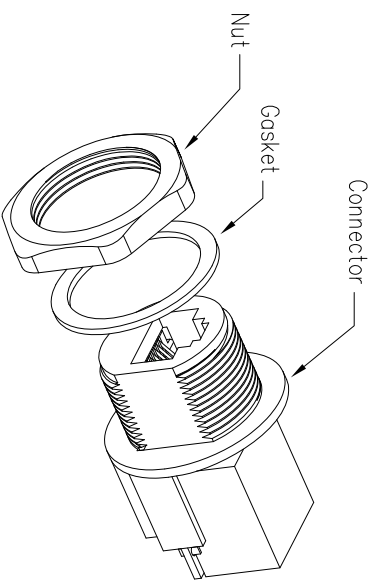
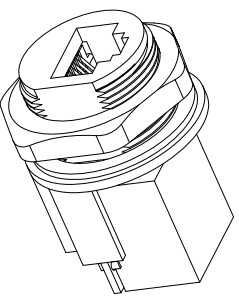
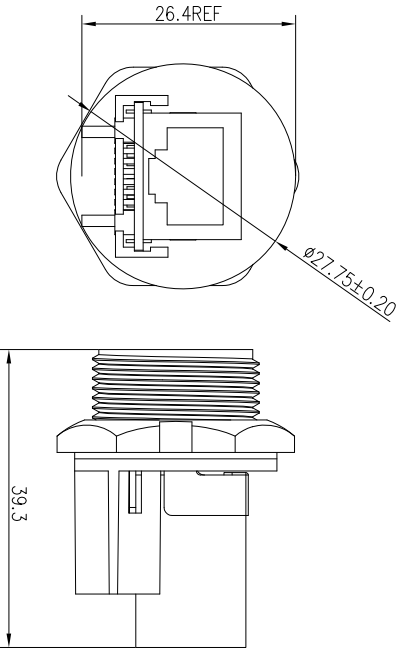
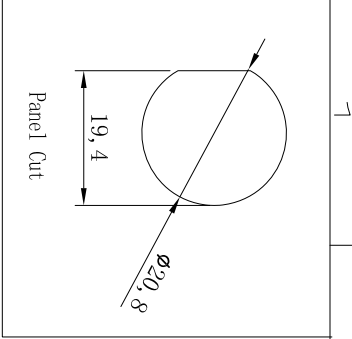


REV.	ECN NO.	DESCRIPTION	SIGN	DATE
C1	N/A	Initial Drawing	LiYongSheng	2020/04/29



Specification:

- 1.Operation Temperature: $-40^{\circ}\text{C} \sim 85^{\circ}\text{C}$.
- 2.Insulation Resistance: $100\text{M}\Omega$ At DC500V.
- 3.Contact Resistance: $<30\text{m}\Omega$.
- 4.Waterproof: IP67.
- 5.Mating Cycles: 500 cycles.
- 6.Seal Nut: Nylon, Black
- 7.Gasket: Silicon, Gray.
- 8.Socket Housing: Nylon, Black
- 9.Baffle: Nylon, Black
- 10.Shield Sheet : Ni Plated
- 11.PCB: Assembly Parts.
- 12.RoHS Compliant.

UNIT: mm	
----------	--

DESCRIPTION	RJ45 Threaded socket 180°
-------------	---------------------------



PART NO	33000000-01
---------	-------------

DWG NO	
--------	--

DRAWN BY	LiYongSheng	DATE	2020/04/29
----------	-------------	------	------------

TOLERANCE	X	± 0.25
	XX	± 0.15
	XXX	± 0.05
ANGLES		F1

SCALE	1:1	SIZE	A4	SHEET	X	OF	X
REV	C1	* : Inspection Item					

CUSTOMER	
----------	--

CHECKED BY	Allen	DATE	2020/04/29
------------	-------	------	------------

APPROVED BY	Ponson	DATE	2019/04/29
-------------	--------	------	------------

DATE	2020/04/29
------	------------