

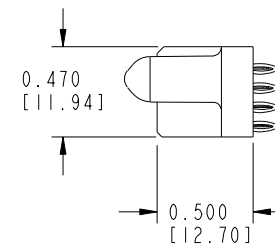
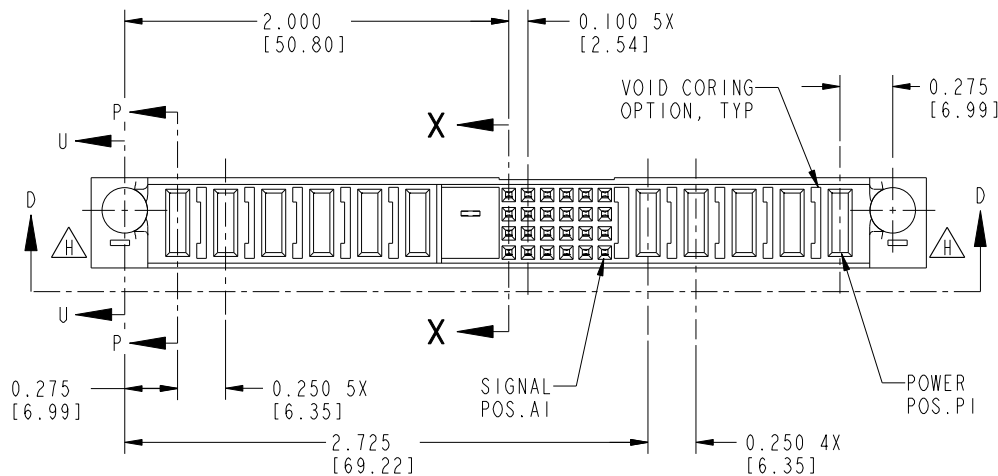
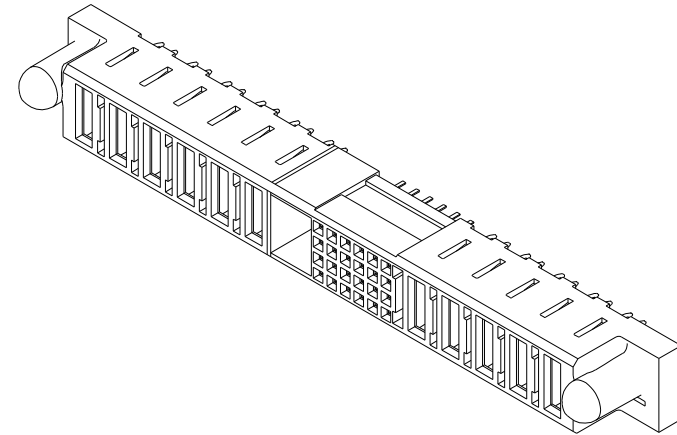
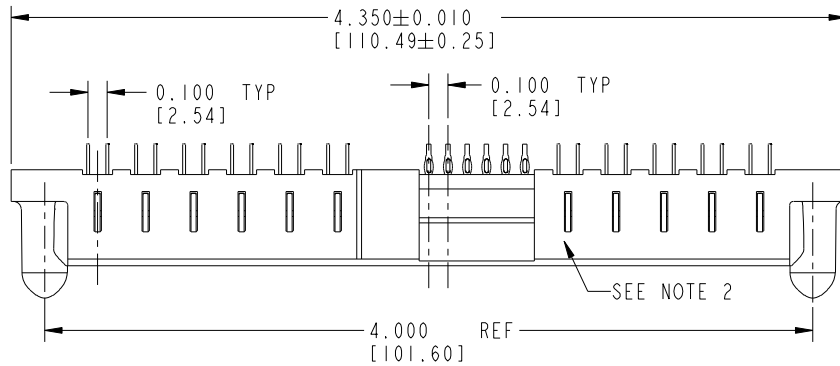
Tous droits strictement réservés. Reproduction ou communication a des tiers interdite sous quelque forme que ce soit sans autorisation écrite du propriétaire. Propriété de c FCI. Droits de reproduction FCI.



All rights strictly reserved. Reproduction or issue to third parties in any form whatever is not permitted without written authority from the proprietor. Property of FCI. Copyright FCI.

PRODUCT NUMBER

51667-XX001--  
NOTE: (3)



mat'l code				NOTE 1		tolerances unless otherwise specified		CUSTOMER COPY		FCI	
lir	ecn no.	dr	date	linear	.XX ± .01/ .X ± .3	projection		www.fciconnect.com		title	
B	V94335	SAR	11-15-99	angles	.XXX ± .005/ .XX ± .13	0° ± 2°		5P + 24S + 1M + 6P		VERTICAL PRESSFIT RECEPTACLE	
C	V00795	EKK	03-27-00	dr	.XXXX ± .0020/ .XXX ± .051	INCH/MM		product family		code	
D	V01870	CHB	08-03-00	enrg		1:1		PwrBlade		213	
E	DG05-0266	CS	08/20/05	chr				size		sheet	
F	DG05-0508	CS	11/28/05	appd				51667		1 of 4	
G	DG07-0481	JC	11/29/07					A			
H	DG08-0245	W D	09/08/08								
sheet index	revision sheet	H	H	H	H						
		1	2	3	4						

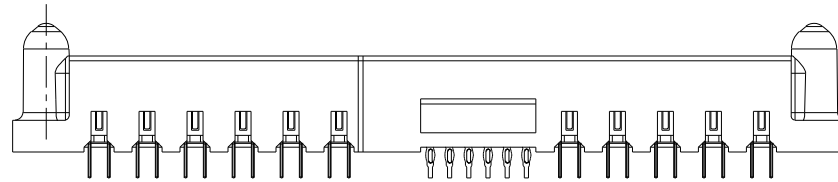
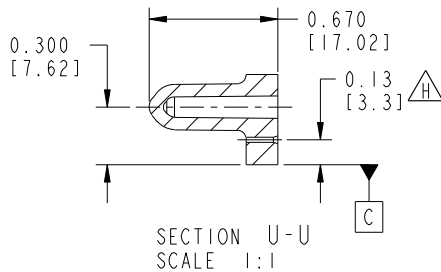
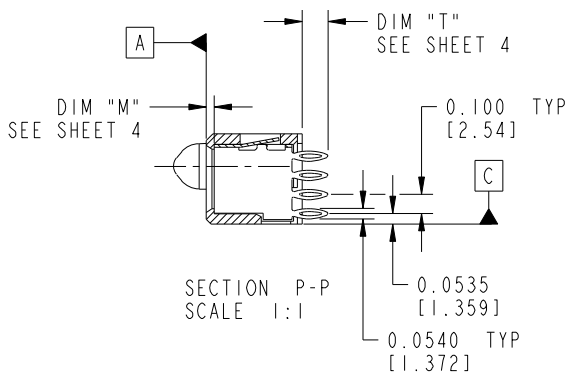
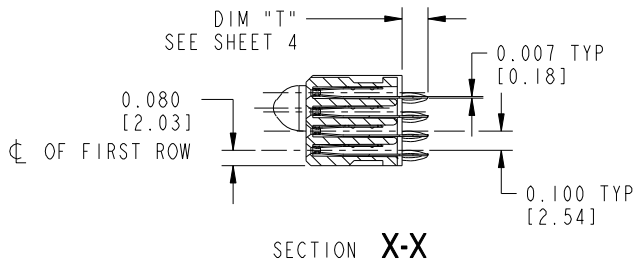
THIS FILE WAS ORIGINALLY CREATED IN THE PRO ENGINEER ENVIRONMENT AND ANY FUTURE REVISIONS TO THIS FILE MUST BE MADE IN THE PRO ENGINEER ENVIRONMENT

Tous droits strictement réservés. Reproduction ou communication a des tiers interdite sous quelque forme que ce soit sans autorisation écrite du propriétaire. Propriété de c FCI. Droits de reproduction FCI.

All rights strictly reserved. Reproduction or issue to third parties in any form whatever is not permitted without written authority from the proprietor. Property of FCI. Copyright FCI.



PRODUCT NUMBER  
51667-XX001--  
NOTE: (3)



VIEW D-D

mat'l code		NOTE 1		tolerances unless otherwise specified		CUSTOMER COPY		 www.fciconnect.com	
lfr	ecn no.	dr	date	linear	.XX ± .01 / .X ± .3	projection	title		
H					.XXX ± .005 / .XX ± .13	 INCH/MM	5P + 24S + 1M + 6P		
				angles	.XXX ± .0020 / .XXX ± .051		VERTICAL PRESSFIT RECEPTACLE		
				dr	0° ± 2°	scale	product family	PwrBlade	code
				enrg	S. ROYER 09-21-99	1:1	size	dwg no	213
				chr	J. BROWN 09-21-99		51667		sheet
				appd	J. BROWN 09-21-99				2 of 4
sheet index	revision sheet								

Pro/E

PDM: Rev: H

STATUS: Released

Printed: Dec 20, 2010

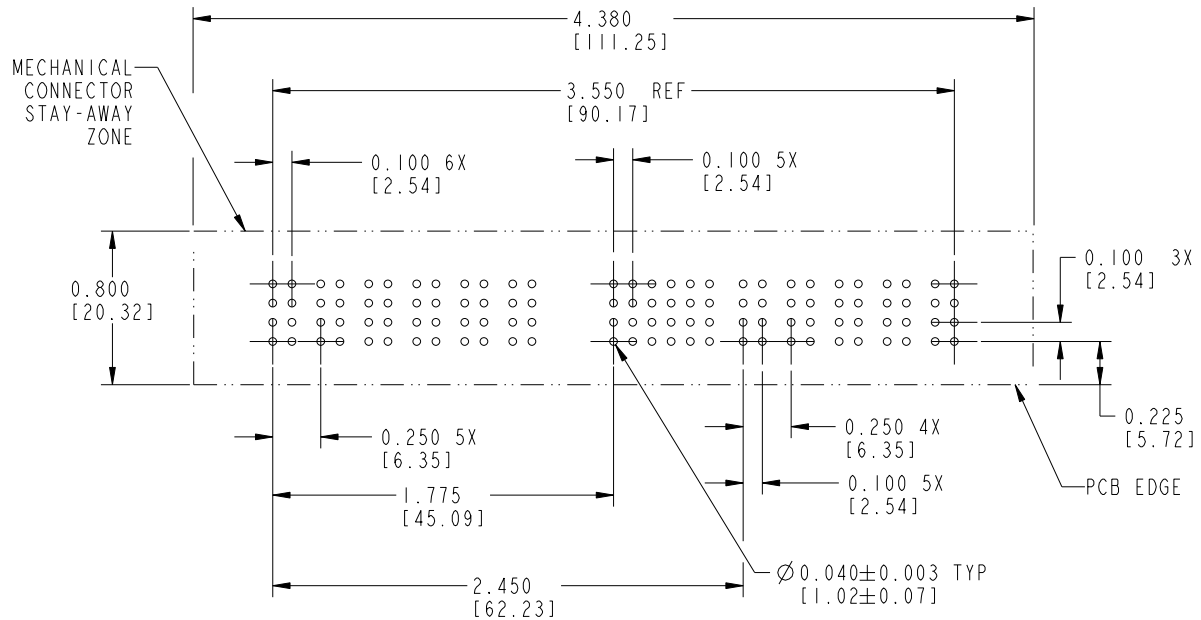
cage code 22526

Tous droits strictement réservés. Reproduction ou communication a des tiers interdite sous quelque forme que ce soit sans autorisation écrite du propriétaire. Propriété de c FCI. Droits de reproduction FCI.



All rights strictly reserved. Reproduction or issue to third parties in any form whatever is not permitted without written authority from the proprietor. Property of FCI. Copyright FCI.

PRODUCT NUMBER  
51667-XX001--  
NOTE: (3)



RECOMMENDED PCB LAYOUT

mat'l code		tolerances unless otherwise specified		CUSTOMER COPY		 www.fciconnect.com	
ltr	ecn no.	dr	date	linear	$XX \pm .01 / .X \pm .3$ $XXX \pm .005 / .XX \pm .13$ $XXXX \pm .0020 / .XXX \pm .051$	projection	title
H				angles	$0^\circ \pm 2^\circ$		5P + 24S + 1M + 6P VERTICAL PRESSFIT RECEPTACLE
				dr	S. ROYER 09-21-99	INCH/MM	product family
				enrg	J. BROWN 09-21-99	scale	PwrBlade
				chr	J. BROWN 09-21-99	1:1	code
				appd	J. BROWN 09-21-99		size
sheet index	revision sheet						dwg no
							51667
							sheet
							3 of 4

Pro/E

PDM: Rev: H

STATUS: Released

Printed: Dec 20, 2010

cage code 22516

Tous droits strictement réservés. Reproduction ou communication a des tiers interdite sous quelque forme que ce soit sans autorisation écrite du propriétaire. Propriete de c FCI. Droits de reproduction FCI.



All rights strictly reserved. Reproduction or issue to third parties in any form whatever is not permitted without written authority from the proprietor. Property of FCI. Copyright FCI.

1 | 2

3 |

4

PRODUCT NUMBER 51667-XX001-- NOTE: ③	ITEM NO.	QTY	DIM "M" MATING LENGTH ±.010[0.25]		DIM "T" TAIL LENGTH ±.010[0.25]		CONTACT TYPE
	PC	11	0.042	[1.07]	0.135	[3.43]	POWER
	F	24	N/A	[N/A]	0.135	[3.43]	SIGNAL

PRODUCT No.	ROWS	POWER						-	SIGNAL					POWER							
		E2	P11	P10	P9	P8	P7	P6		6	5	4	3	2	1	P5	P4	P3	P2	P1	E1
51667-XX001--	D C B A																				

CONNECTOR NOTES:

- HOUSING MATERIAL: GLASS FILLED HIGH TEMP THERMOPLASTIC, FLAME RETARDANT PER UL94V-0  
SIGNAL CONTACT MATERIAL: COPPER ALLOY  
POWER CONTACT MATERIAL: COPPER ALLOY
- MANUFACTURER NAME, P/N, AND DATE CODE TO APPEAR ON THIS SURFACE.
- PLATING:  
SEE PRINT 10064183 FOR PLATING SPEC OF 51667-XX001; 51667-XX001LF.

PCB NOTES:

- ALL DIMENSIONS ARE BASIC UNLESS OTHERWISE SPECIFIED.
- ALL THROUGH HOLES ARE LOCATED WITH A TRUE POSITION OF 0.004".
- ALL DIAMETERS ARE FINISHED HOLE SIZES.
- Ø0.0453±.0010[1.151±0.025] DRILLED HOLES PLATED WITH 0.0003[0.007]MIN. SnPb OR Sn OVER 0.001[0.03] TO 0.003[0.08]Cu PLATING TO ACHIEVE A 0.040±.003[1.02±.08] HOLE.
- ⚠ SYMBOL WILL BE NEXT TO ANY DIMENSION, VIEW, OR NOTE WHICH HAS BEEN MODIFIED WITH THE CURRENT DRAWING REVISION.

mat'l code		tolerances unless otherwise specified		CUSTOMER COPY		www.fciconnect.com	
lir	ecn no.	dr	date	linear	XX ±.01/.X ±.3	projection	
H					XXX ±.005/.XX ±.13		
				angles	XXXX ±.0020/.XXX ±.051		
				dr	S. ROYER 09-21-99	product family	PwrBlade
				enrg	J. BROWN 09-21-99	size	dwg no
				chr	J. BROWN 09-21-99	scale	1:1
				appd	J. BROWN 09-21-99	code	213
sheet index	revision sheet					product family	PwrBlade
						size	dwg no
						code	213
						sheet	4 of 4

1 | 2

Pro/E

PDM: Rev: H

STATUS: Released

Printed: Dec 20, 2010

A

A

B

B

cage code 22526

4