

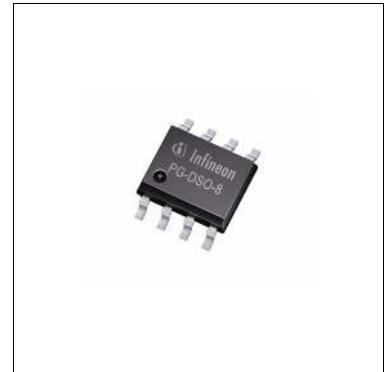
Smart high-side NMOS-power switch

ITS4300S-SJ-D



Features

- CMOS compatible input
- Switching all types of resistive, inductive and capacitive loads
- Fast demagnetization of inductive loads
- Very low standby current
- Optimized Electromagnetic Compatibility (EMC)
- Open drain diagnostic output for overtemperature and short circuit
- Open load detection in OFF-state with external resistor
- Overload protection
- Current limitation
- Short circuit protection
- Thermal shutdown with restart
- Overvoltage protection (including load dump)
- Reverse battery protection with external resistor
- Loss of GND and loss of Vbb protection
- Electrostatic Discharge Protection (ESD)
- Green Product (RoHS compliant)



Applications

- All types of resistive, inductive and capacitive loads
- Power switch for 12V and 24V DC applications with CMOS compatible control interface
- Driver for electromagnetic relays
- Power management for high-side-switching with low current consumption in OFF-mode

Product Validation

Qualified for industrial applications according to the relevant tests of JEDEC.

Description

The ITS4300S-SJ-D is a protected single channel Smart High-Side NMOS-Power Switch in a PG-DSO-8 package with charge pump, CMOS compatible input and diagnostic feedback.

Table 1 Product summary

Parameter	Symbol	Values
Overvoltage protection	V_{SAZmin}	41 V
Operating voltage range	V_S	$5V < V_S < 34V$
On-state resistance	R_{DSON}	typ. 300 m Ω
Nominal load current	$I_{L(nom)}$	0.4 A
Operating temperature range	T_j	-40°C to 125°C
Stand-by current	I_{SSTB}	26 μ A

Type	Package	Marking
ITS4300S-SJ-D	PG-DSO-8	I300SD

Table of Contents

1	Block diagram and terms	4
2	Pin configuration	5
2.1	Pin assignment	5
2.2	Pin definitions and functions	5
3	General product characteristics	6
3.1	Absolute maximum ratings	6
3.2	Functional range	7
3.3	Thermal resistance	7
4	Electrical Characteristics	8
5	Typical performance graphs	11
6	Application information	16
6.1	Application diagram	16
6.2	Diagnosis description	17
6.3	Special feature description	18
6.4	Typical application waveforms	19
6.5	Protection behavior	20
7	Package information	21
8	Revision history	22

Block diagram and terms

1 Block diagram and terms

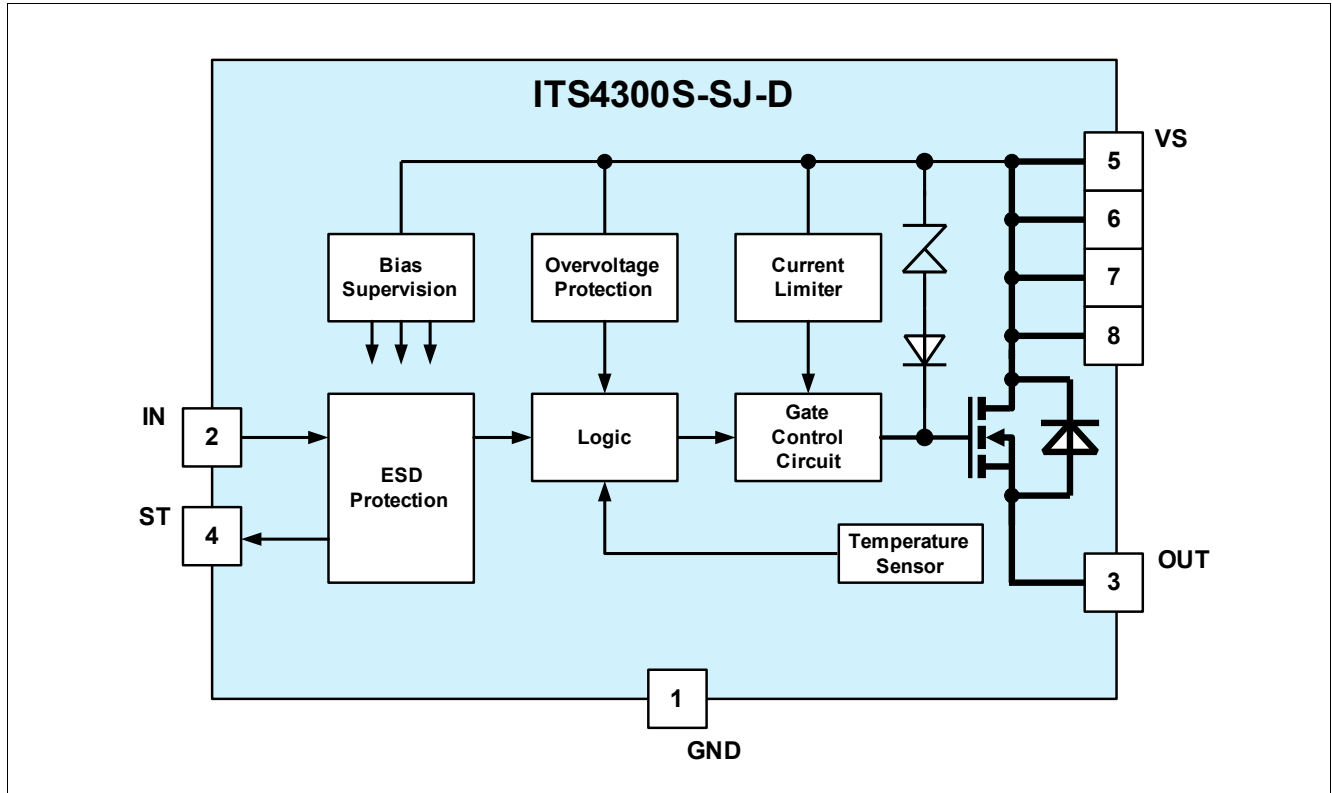


Figure 1 Block diagram

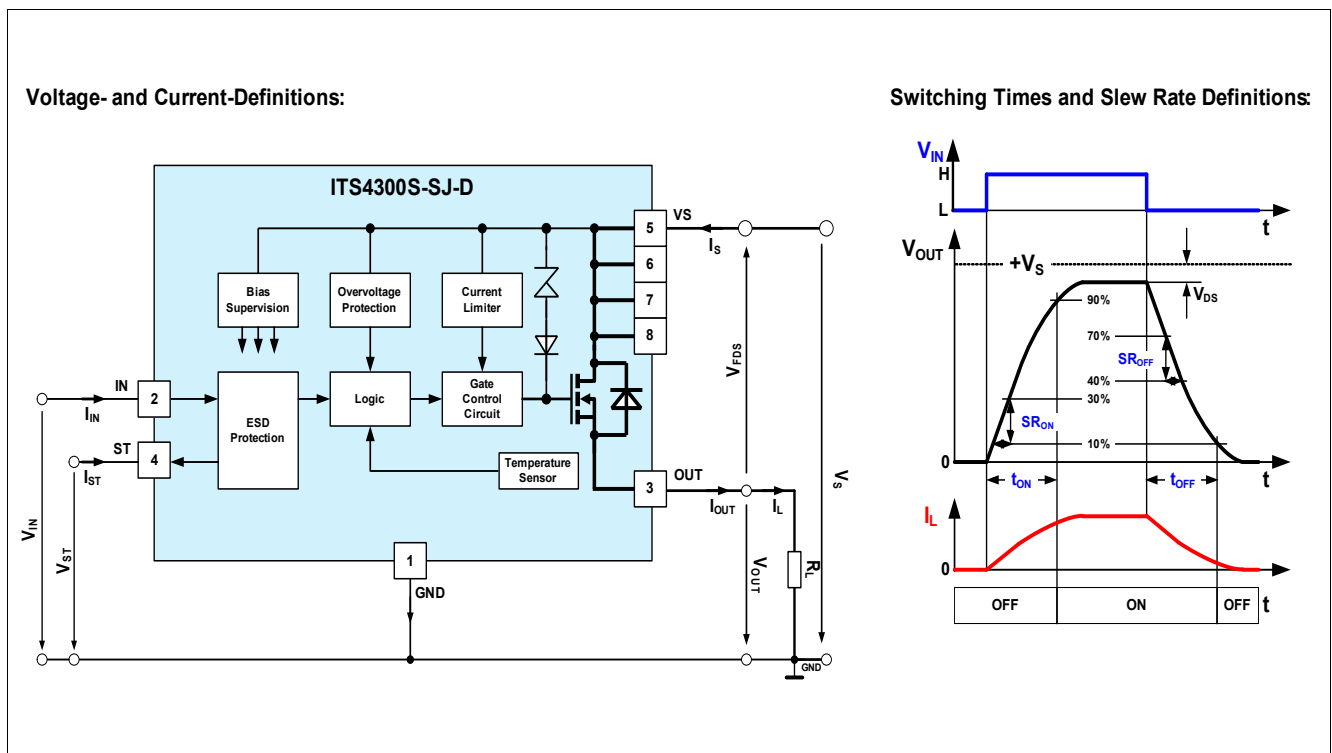


Figure 2 Terms - parameter definition

Pin configuration

2 Pin configuration

2.1 Pin assignment

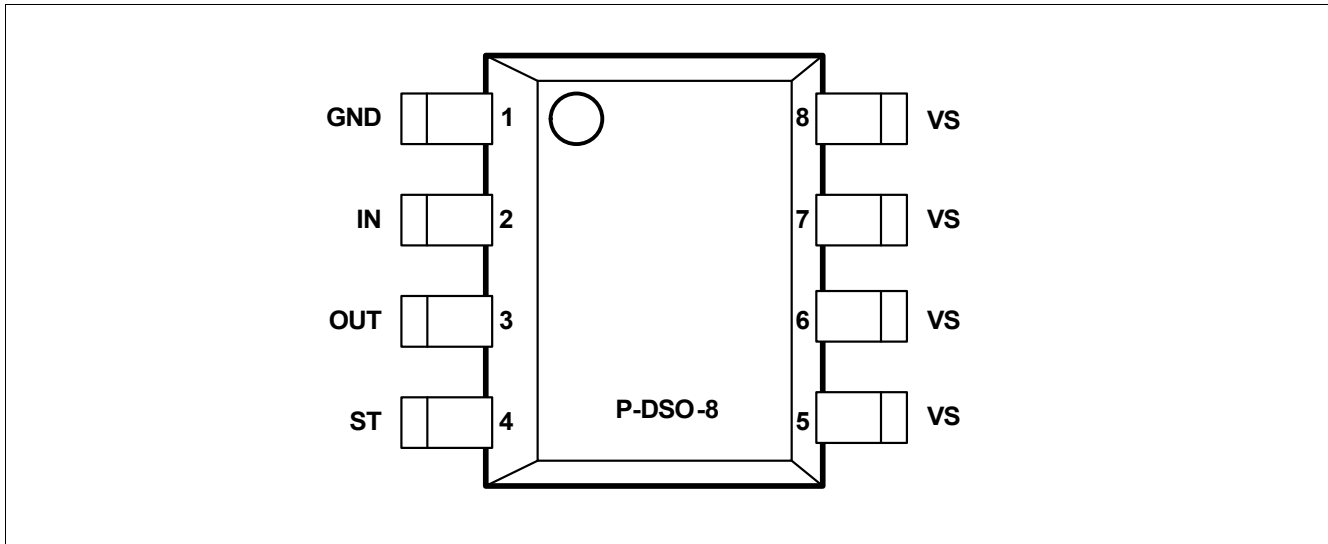


Figure 3 Pin configuration top view, PG-DSO-8

2.2 Pin definitions and functions

Pin	Symbol	Function
1	GND	Logic ground
2	IN	Input, controls the power switch; the powerswitch is ON when high
3	OUT	Output to the load
4	ST	Status flag; diagnosis feedback; NMOS open drain
5, 6, 7, 8	VS	Supply voltage (design the wiring for the maximum short circuit current and also for low thermal resistance)

General product characteristics

3 General product characteristics

3.1 Absolute maximum ratings

Table 2 Absolute maximum ratings¹⁾ at $T_j = 25^\circ\text{C}$ unless otherwise specified. Currents flowing into the device unless otherwise specified in chapter “Block Diagram and Terms”

Parameter	Symbol	Values			Unit	Note or Test Condition	Number
		Min.	Typ.	Max.			
Supply voltage VS							
Voltage	V_S	-	-	40	V	-	4.1.1
Voltage for short circuit protection	V_{SSC}	-	-	28	V	-	4.1.2
Output stage OUT							
Output current; (short circuit current see electrical characteristics)	I_{OUT}	-	-	self limited	A	-	4.1.3
Input IN							
Voltage	V_{IN}	-10	-	16	V	-	4.1.4
Current	I_{IN}	-5	-	5	mA	-	4.1.5
Status ST							
Current	I_{ST}	-5	-	5	mA	-	4.1.6
Temperatures							
Junction temperature	T_j	-40	-	125	$^\circ\text{C}$	-	4.1.7
Storage temperature	T_{stg}	-55	-	125	$^\circ\text{C}$	-	4.1.8
Power dissipation							
$T_a = 25^\circ\text{C}^{2)}$	P_{tot}	-	-	1.4	W	-	4.1.9
Inductive load switch-off energy dissipation							
$T_j = 125^\circ\text{C}; V_S = 13.5\text{V}; I_L = 0.3\text{A}^{3)}$	E_{AS}	-	-	800	mJ	single pulse	4.1.10
ESD susceptibility							
ESD susceptibility (input pin IN)	V_{ESD}	-1	-	1	kV	HBM ⁴⁾	4.1.11
ESD susceptibility (output pin OUT)	V_{ESD}	-6	-	6	kV	HBM ⁴⁾	4.1.13
ESD susceptibility (all other pins)	V_{ESD}	-3	-	3	kV	HBM ⁴⁾	4.1.12

1) Not subject to production test, specified by design

2) Device on 50mm*50mm*1.5mm epoxy PCB FR4 with 6 cm² (one layer, 70mm thick) copper area for Vbb connection. PCB is vertical without blown air

3) Not subject to production test, specified by design

4) ESD susceptibility HBM according to ANSI/ESDA/JEDEC J001 (1.5k Ω , 100pF).

Note: Exposure to absolute maximum rating conditions for extended periods may affect device reliability. Integrated protection functions are designed to prevent IC destruction under fault conditions described in the data sheet. Fault conditions are considered as “outside” the normal operating range. Protection functions are neither designed for continuous nor repetitive operation.

General product characteristics

3.2 Functional range

Table 3 Functional range

Parameter	Symbol	Values			Unit	Note or Test Condition	Number
		Min.	Typ.	Max.			
Nominal operating voltage	V_S	5	–	34	V	V_S increasing	4.2.1

Note: Within the functional range the IC operates as described in the circuit description. The electrical characteristics are specified within the conditions given in the related electrical characteristics table.

3.3 Thermal resistance

Note: This thermal data was generated in accordance with JEDEC JESD51 standards. For more information, go to www.jedec.org.

Table 4 Thermal resistance¹⁾

Parameter	Symbol	Values			Unit	Note or Test Condition	Number
		Min.	Typ.	Max.			
Thermal resistance - junction to pin5	$R_{thj-pin5}$	–	34.5	–	K/W	–	4.3.1
Thermal resistance - junction to ambient - 1s0p, minimal footprint	R_{thJA_1s0p}	–	145	–	K/W	²⁾	4.3.2
Thermal resistance - junction to ambient - 1s0p, 300mm ²	$R_{thJA_1s0p_300mm^2}$	–	89	–	K/W	³⁾	4.3.3
Thermal resistance - junction to ambient - 1s0p, 600mm ²	$R_{thJA_1s0p_600mm^2}$	–	78	–	K/W	⁴⁾	4.3.4
Thermal resistance - junction to ambient - 2s2p	R_{thJA_2s2p}	–	85	–	K/W	⁵⁾	4.3.5
Thermal resistance - junction to ambient with thermal vias - 2s2p	R_{thJA_2s2p}	–	60.4	–	K/W	⁶⁾	4.3.6

1) Not subject to production test, specified by design

2) Specified R_{thJA} value is according to Jedec JESD51-3 at natural convection on FR4 1s0p board, footprint; the product (Chip+Package) was simulated on a 76.2 x 114.3 x 1.5 mm board with 1x 70µm Cu.

3) Specified R_{thJA} value is according to Jedec JESD51-3 at natural convection on FR4 1s0p board, Cu, 300mm²; the Product (Chip+Package) was simulated on a 76.2 x 114.3 x 1.5 mm board with 1x 70µm Cu.

4) Specified R_{thJA} value is according to Jedec JESD51-3 at natural convection on FR4 1s0p board, 600mm²; the product (Chip+Package) was simulated on a 76.2 x 114.3 x 1.5 mm board with 1x 70µm Cu.

5) Specified R_{thJA} value is according to Jedec JESD51-2,-5,-7 at natural convection on FR4 2s2p board; the product (Chip+Package) was simulated on a 76.2 x 114.3 x 1.5 mm board with 2 inner copper layers (2 x 70µm Cu, 2 x 35µm Cu).

6) Specified R_{thJA} value is according to Jedec JESD51-2,-5,-7 at natural convection on FR4 2s2p board with two thermal vias; the Product (Chip+Package) was simulated on a 76.2 x 114.3 x 1.5 mm board with 2 inner copper layers (2 x 70µm Cu, 2 x 35µm Cu). The diameter of the two vias are equal 0.3mm and have a plating of 25µm with a copper heatsink area of 3mm x 2mm). JEDEC51-7: The two plated-through hole vias should have a solder land of no less than 1.25 mm diameter with a drill hole of no less than 0.85 mm diameter.

Electrical Characteristics

4 Electrical Characteristics

Table 5 $V_S=13.5V$; $T_j = -40^\circ\text{C}$ to $+125^\circ\text{C}$; all voltages with respect to ground. Currents flowing into the device unless otherwise specified in chapter “Block Diagram and Terms”. Typical values at $V_S = 13.5V$, $T_j = 25^\circ\text{C}$

Parameter	Symbol	Values			Unit	Note or Test Condition	Number
		Min.	Typ.	Max.			
Powerstage							
NMOS ON resistance	R_{DSON}	–	300	400	m Ω	$I_{\text{OUT}}=0.3\text{A}$; $T_j = 25^\circ\text{C}$; $9\text{V} < V_S < 34\text{V}$; $V_{\text{IN}}=5\text{V}$	5.0.1
NMOS ON resistance	R_{DSON}	–	480	600	m Ω	$I_{\text{OUT}}=0.3\text{A}$; $T_j = 125^\circ\text{C}$; $9\text{V} < V_S < 34\text{V}$; $V_{\text{IN}}=5\text{V}$	5.0.2
Nominal load current; device on PCB ¹⁾	I_{LNOM}	0.4	–	–	A	$T_{\text{pin5}} = 85^\circ\text{C}$	5.0.3
Timings of power stages²⁾							
Turn ON time (to 90% of V_{out}); L to H transition of V_{IN}	t_{ON}	–	–	140	μs	$V_S=13.5\text{V}$; $R_L = 47\Omega$	5.0.4
Turn OFF time (to 10% of V_{out}); H to L transition of V_{IN}	t_{OFF}	–	–	170	μs	$V_S=13.5\text{V}$; $R_L = 47\Omega$	5.0.5
ON-slew rate; $\Delta V_{\text{OUT}}/\Delta t$; (10 to 30% of V_{out}); L to H transition of V_{IN}	SR_{ON}	–	–	2.0	V/ μs	$V_S=13.5\text{V}$; $R_L = 47\Omega$	5.0.6
OFF-slew rate; $\Delta V_{\text{OUT}}/\Delta t$; (70 to 40% of V_{out}); H to L transition of V_{IN}	SR_{OFF}	–	–	2.0	V/ μs	$V_S=13.5\text{V}$; $R_L = 47\Omega$	5.0.7
Under voltage lockout (charge pump start-stop-restart)							
Supply undervoltage; charge pump stop voltage	V_{SUV}	–	–	5.5	V	V_S decreasing	5.0.8
Supply startup voltage; Charge pump restart voltage	V_{SSU}	–	–	5.5	V	V_S increasing	5.0.9
Current consumption							
Operating current	I_{GND}	–	–	1.3	mA	$V_{\text{IN}}=5\text{V}$	5.0.10
Standby current	I_{SSTB}	–	–	26	μA	$V_{\text{IN}}=0\text{V}$; $V_{\text{OUT}}=0\text{V}$ $-40^\circ\text{C} < T_j < 85^\circ\text{C}$	5.0.11
Standby current	I_{SSTB}	–	–	26	μA	$V_{\text{IN}}=0\text{V}$; $T_j = 125^\circ\text{C}$	5.0.12
Output leakage current	I_{OUTLK}	–	–	12	μA	$V_{\text{IN}}=0\text{V}$; $V_{\text{OUT}}=0\text{V}$	5.0.13
Protection functions³⁾							
Initial peak short circuit current limit	I_{LSCP}	–	–	2	A	$T_j = -40^\circ\text{C}$; $V_S = 20\text{V}$; $V_{\text{IN}} = 5.0\text{V}$	5.0.14

Electrical Characteristics

Table 5 $V_S=13.5V$; $T_j = -40^{\circ}C$ to $+125^{\circ}C$; all voltages with respect to ground. Currents flowing into the device unless otherwise specified in chapter “Block Diagram and Terms”. Typical values at $V_S = 13.5V$, $T_j = 25^{\circ}C$

Parameter	Symbol	Values			Unit	Note or Test Condition	Number
		Min.	Typ.	Max.			
Initial peak short circuit current limit	I_{LSCP}	–	1.2	–	A	$T_j = 25^{\circ}C$; $V_S = 20V$; $V_{IN} = 5.0V$	5.0.15
Initial peak short circuit current limit	I_{LSCP}	0.4	–	–	A	$T_j = 125^{\circ}C$; $V_S = 20V$; $V_{IN} = 5.0V$	5.0.16
Repetitive short circuit current limit $T_j = T_{jTrip}$; see timing diagrams	I_{LSCR}	–	1	–	A	$V_{IN} = 5.0V$	5.0.17
Output clamp at $V_{OUT} = V_S - V_{DSCL}$ (inductive load switch off)	V_{DSCL}	41	47	–	V	$I_S = 4mA$	5.0.18
Overshoot protection $V_{OUT} = V_S - V_{ONCL}$	V_{SAZ}	41	–	–	V	$I_S = 4mA$	5.0.19
Thermal overload trip temperature	T_{jTrip}	150	–	–	$^{\circ}C$		5.0.20
Thermal hysteresis	T_{HYS}	–	10	–	K		5.0.21
Reverse Battery⁴⁾							
Continuous reverse battery voltage	V_{SREV}	-32	–	–	V		5.0.22
Forward voltage of the drain-source reverse diode	V_{FDS}	–	600	–	mV	$I_{FDS} = 200mA$; $V_{IN} = 0V$; $T_j = 125^{\circ}C$	5.0.23
Input interface; pin IN							
Input turn-ON voltage (logic input high-level)	V_{INON}	2.2	–	–	V		5.0.24
Input turn-OFF voltage (logic input low-level)	V_{INOFF}	–	–	0.8	V		5.0.25
Input threshold hysteresis	V_{INHYS}	–	0.3	–	V		5.0.26
Off state input current	I_{INOFF}	1	–	30	μA	$V_{IN} = 0.7V$	5.0.27
On state input current	I_{INON}	1	–	30	μA	$V_{IN} = 5.0V$	5.0.28
Input resistance	R_{IN}	1.5	3.5	5.0	k Ω		5.0.29
Status output (NMOS open drain); pin ST							
Status output zener voltage	V_{STZ}	5.4	6.1	6.8	V	$I_{ST} = 1.6mA$	5.0.30
Status output low voltage	V_{STLO}	–	–	0.4	V	$I_{ST} = 1.6mA$ $T_j < 25^{\circ}C$	5.0.31
Status output low voltage	V_{STLO}	–	–	0.6	V	$I_{ST} = 1.6mA$ $T_j < 125^{\circ}C$	5.0.32
Status leakage current	I_{STLK}	–	–	2	μA	$V_{ST} = 5V$ $T_j < 105^{\circ}C$	5.0.33
Status invalid time after positive input slope ⁵⁾	t_{dP}	–	300	600	μs	$V_S = 20V$	5.0.34

Electrical Characteristics

Table 5 $V_S=13.5V$; $T_j = -40^{\circ}C$ to $+125^{\circ}C$; all voltages with respect to ground. Currents flowing into the device unless otherwise specified in chapter “Block Diagram and Terms”. Typical values at $V_S = 13.5V$, $T_j = 25^{\circ}C$

Parameter	Symbol	Values			Unit	Note or Test Condition	Number
		Min.	Typ.	Max.			
Diagnostic characteristics							
Short circuit detection voltage	V_{OUTSC}	–	2.8	–	V		5.0.35
Open load detection voltage ⁶⁾	V_{OUTOL}	–	3	–	V		5.0.36
Open load detection current ⁷⁾ (included in standby current)	I_{OUTOL}	–	5	–	μA	$V_{OUT} = 4V$	5.0.37

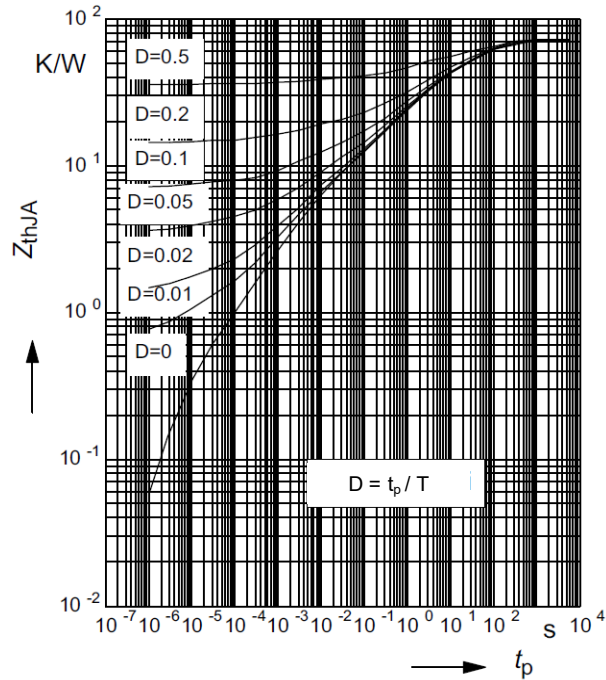
- 1) Device on 50mm x 50mm x 1,5mm epoxy FR4 PCB with 6cm² (one layer copper 70um thick) copper area for supply voltage connection. PCB in vertical position without blown air.
- 2) Timing values only with high slewrate input signal; otherwise slower.
- 3) Integrated protection functions are designed to prevent IC destruction under fault conditions described in the data sheet. Fault conditions are considered as “outside” normal operating range. Protection functions are not designed for continuous repetitive operation.
- 4) Requires a 150W resistor in GND connection. The reverse load current trough the intrinsic drain-source diode of the power-MOS has to be limited by the connected load. Power dissipation is higher compared to normal operation due to the voltage drop across the drain-source diode. The temperature protection is not functional during reverse current operation! Input current has to be limited (see max ratings).
- 5) No delay time after overtemparature switch off and short circuit in on-state.
- 6) External pull up resistor required for open load detection in off state.
- 7) External pull up resistor required for open load detection in off state.

Typical performance graphs

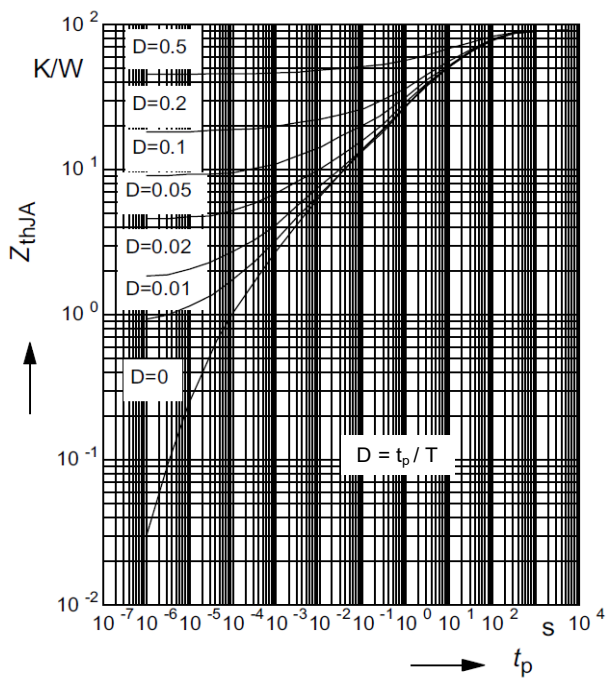
5 Typical performance graphs

Typical performance characteristics

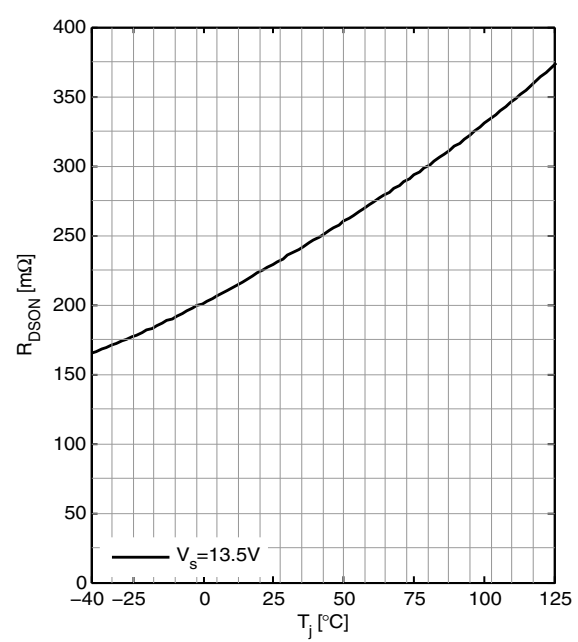
Transient thermal impedance Z_{thJA} versus pulse time t_p @ 6cm² heatsink area



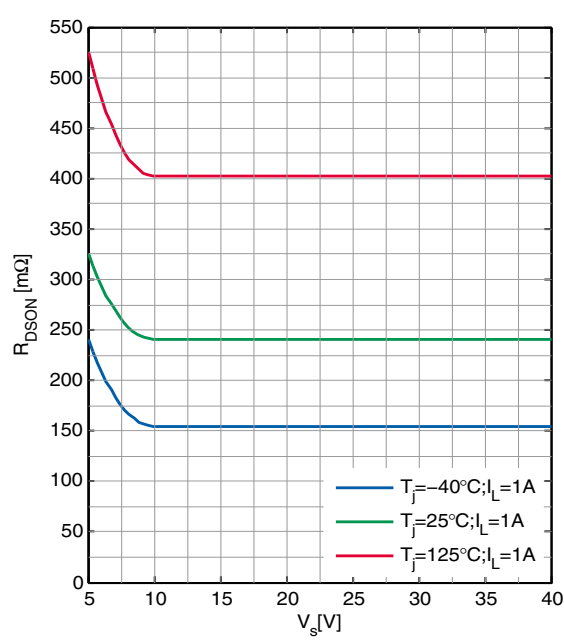
Transient thermal impedance Z_{thJA} versus pulse time t_p @ minimum footprint



On-resistance R_{DSON} versus junction temperature T_j



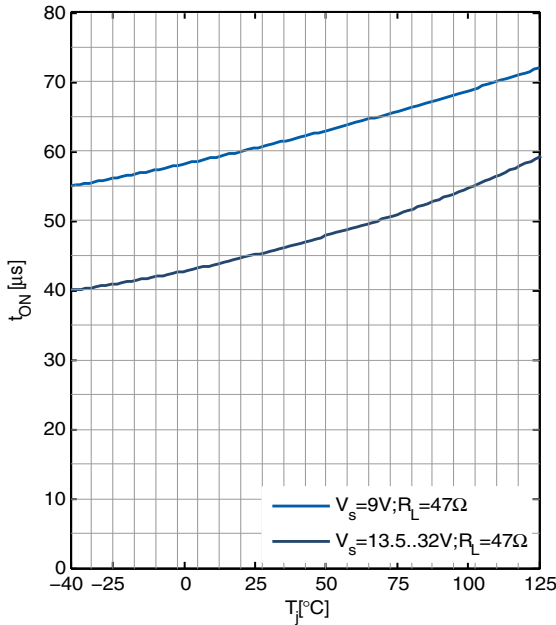
On-resistance R_{DSON} versus supply voltage V_s



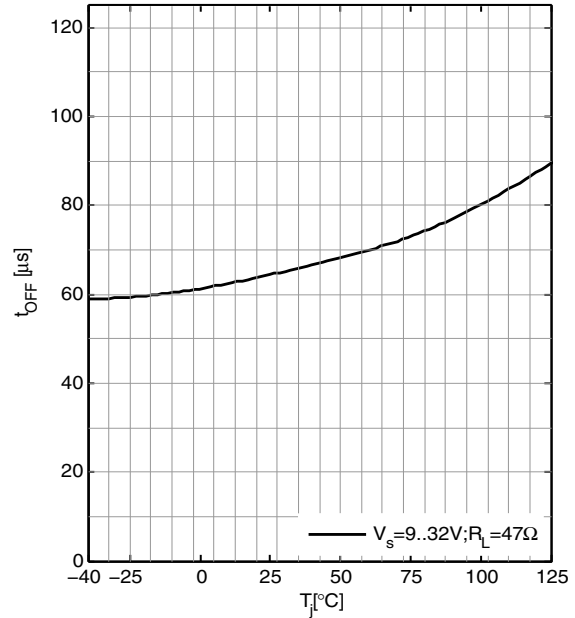
Typical performance graphs

Typical performance characteristics

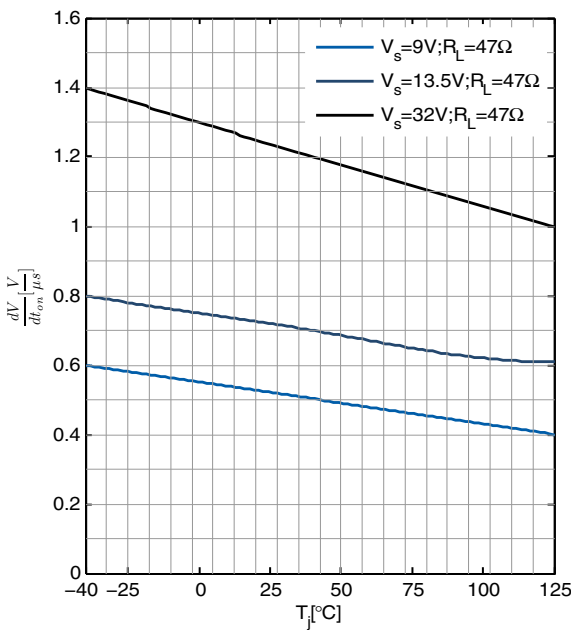
Switch ON time t_{ON} versus junction temperature T_j



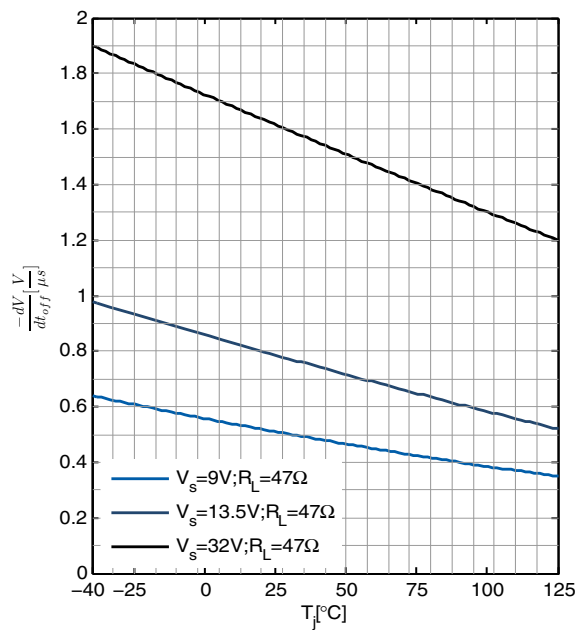
Switch OFF time t_{OFF} versus junction temperature T_j



ON slewrate SR_{ON} versus junction temperature T_j



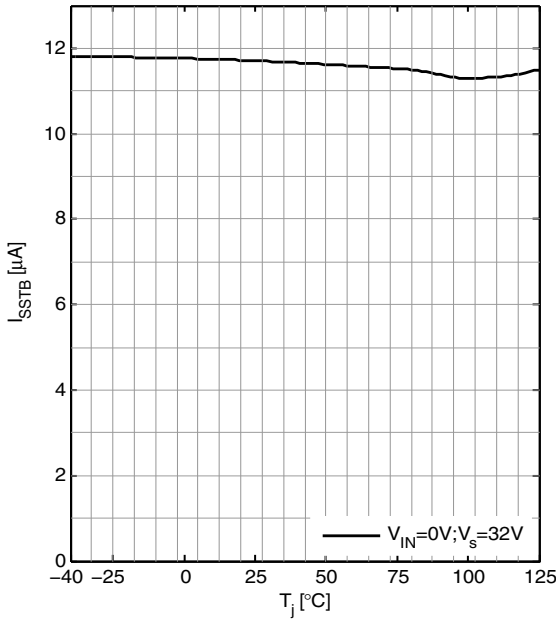
OFF slewrate SR_{OFF} versus junction temperature T_j



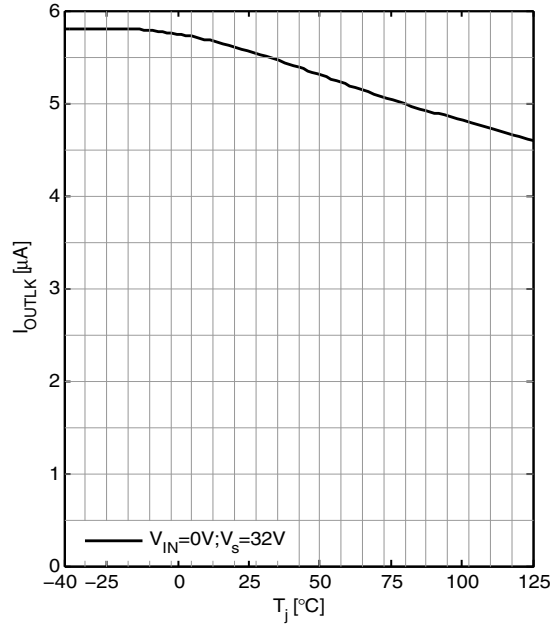
Typical performance graphs

Typical performance characteristics

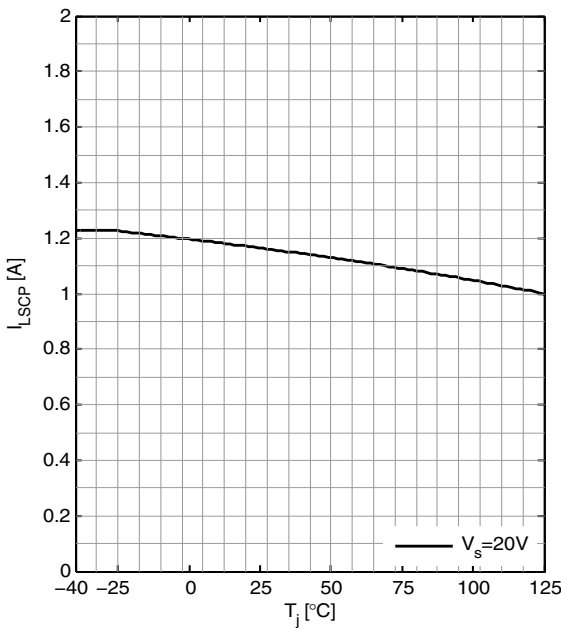
Standby current I_{SSTB} versus junction temperature T_j



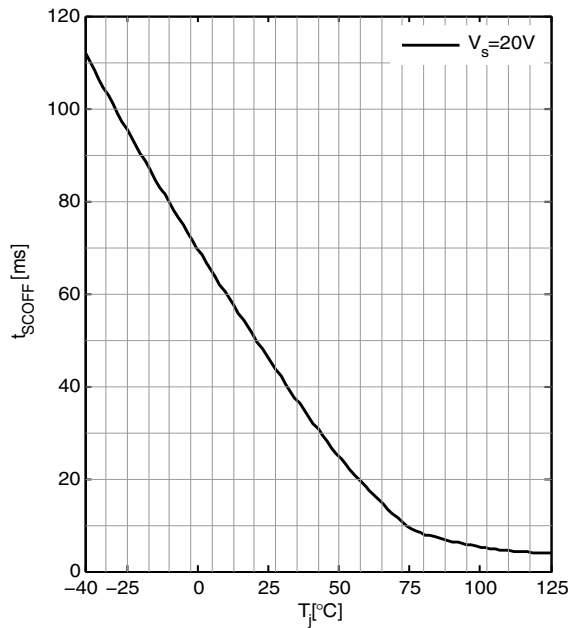
Output leakage current I_{OUTLK} versus junction temperature T_j



Initial peak short circuit current limit I_{LSCP} versus junction temperature T_j



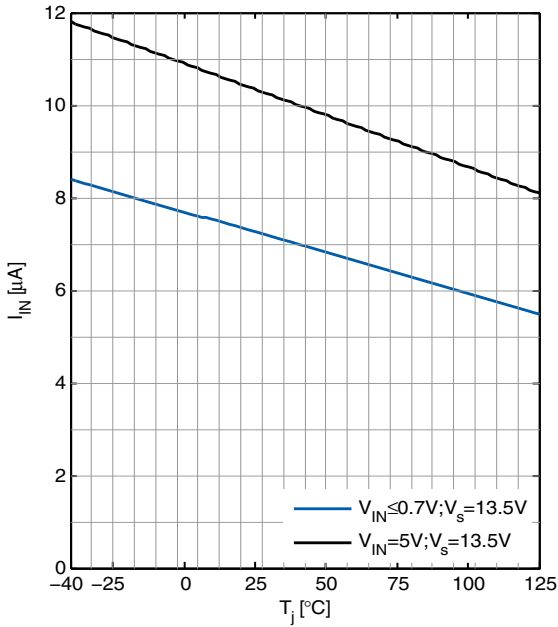
Initial short circuit shutdown time t_{SCOFF} versus junction temperature T_j



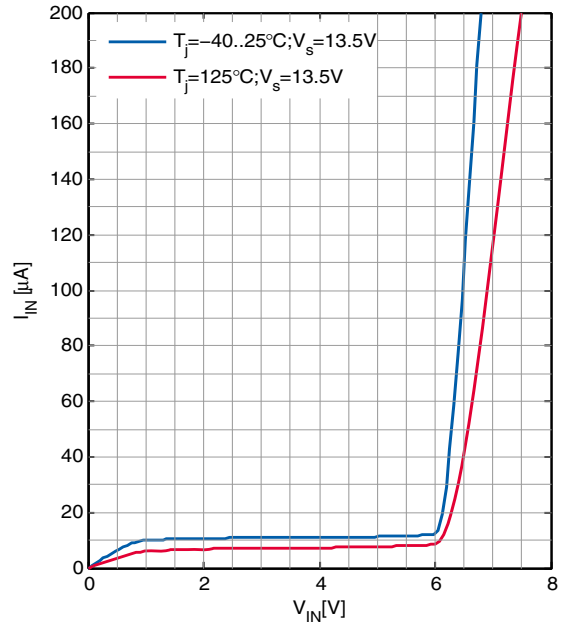
Typical performance graphs

Typical performance characteristics

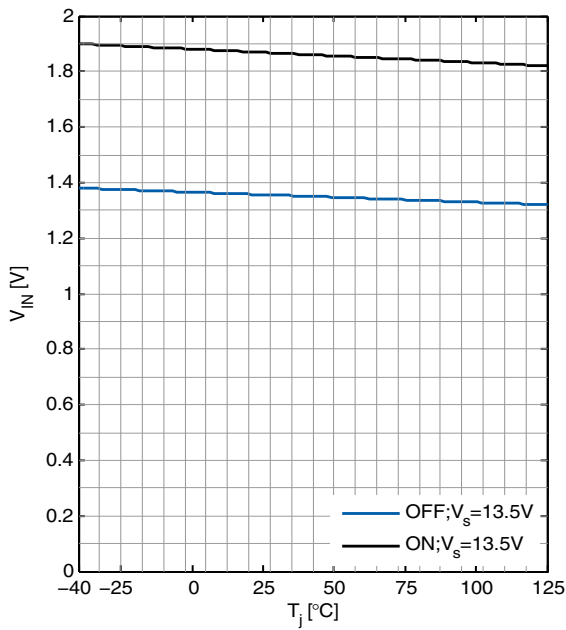
Input current consumption I_{IN} versus junction temperature T_j



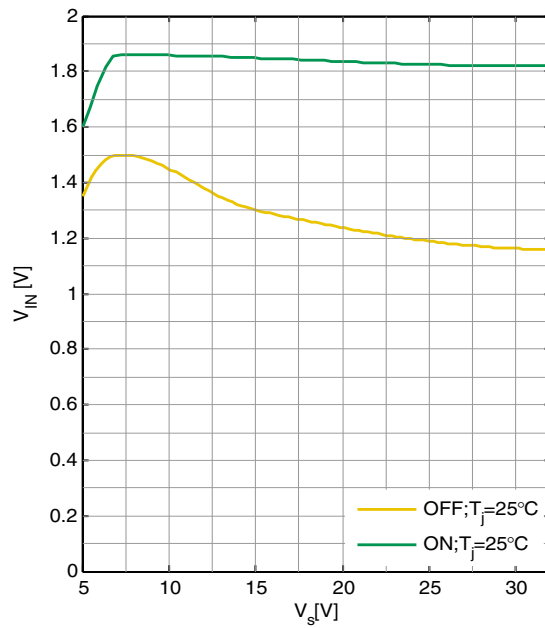
Input current consumption I_{IN} versus input voltage V_{IN}



Input threshold voltage $V_{IN,H,L}$ versus junction temperature T_j



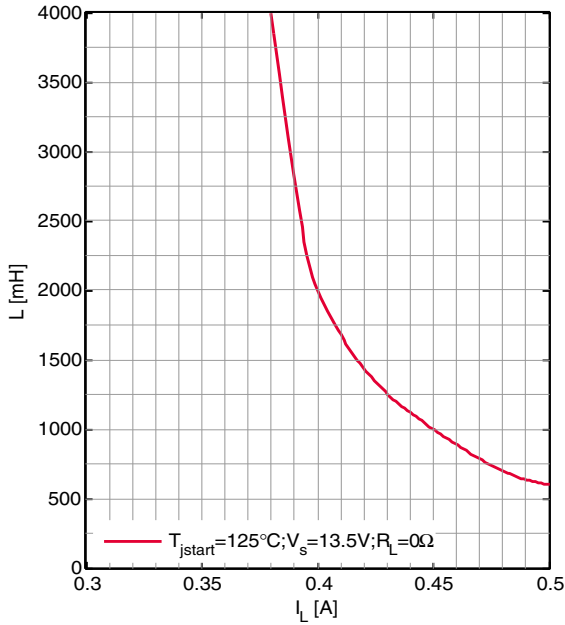
Input threshold voltage $V_{IN,H,L}$ versus supply voltage V_S



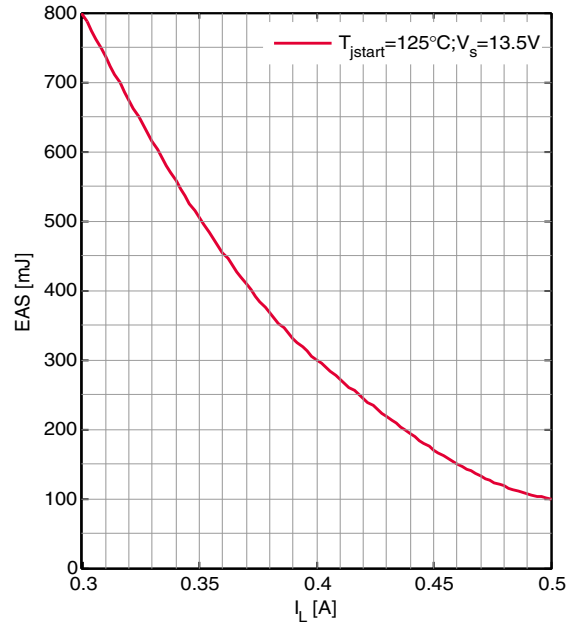
Typical performance graphs

Typical performance characteristics

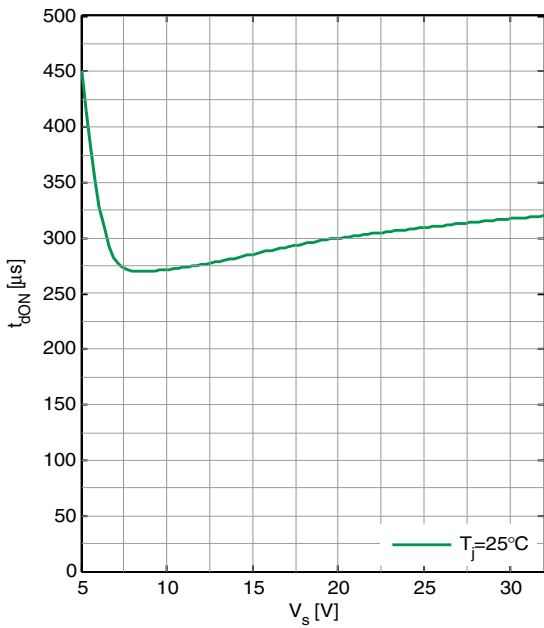
Max. allowable load inductance L versus load current I_L



Max. allowable inductive single pulse switch-off Energy E_{AS} versus load current I_L



Status delay time t_{dp} versus supply voltage V_s



6 Application information

6.1 Application diagram

The following information is given as a hint for the implementation of the device only and shall not be regarded as a description or warranty for a certain functionality, condition or quality of the device.

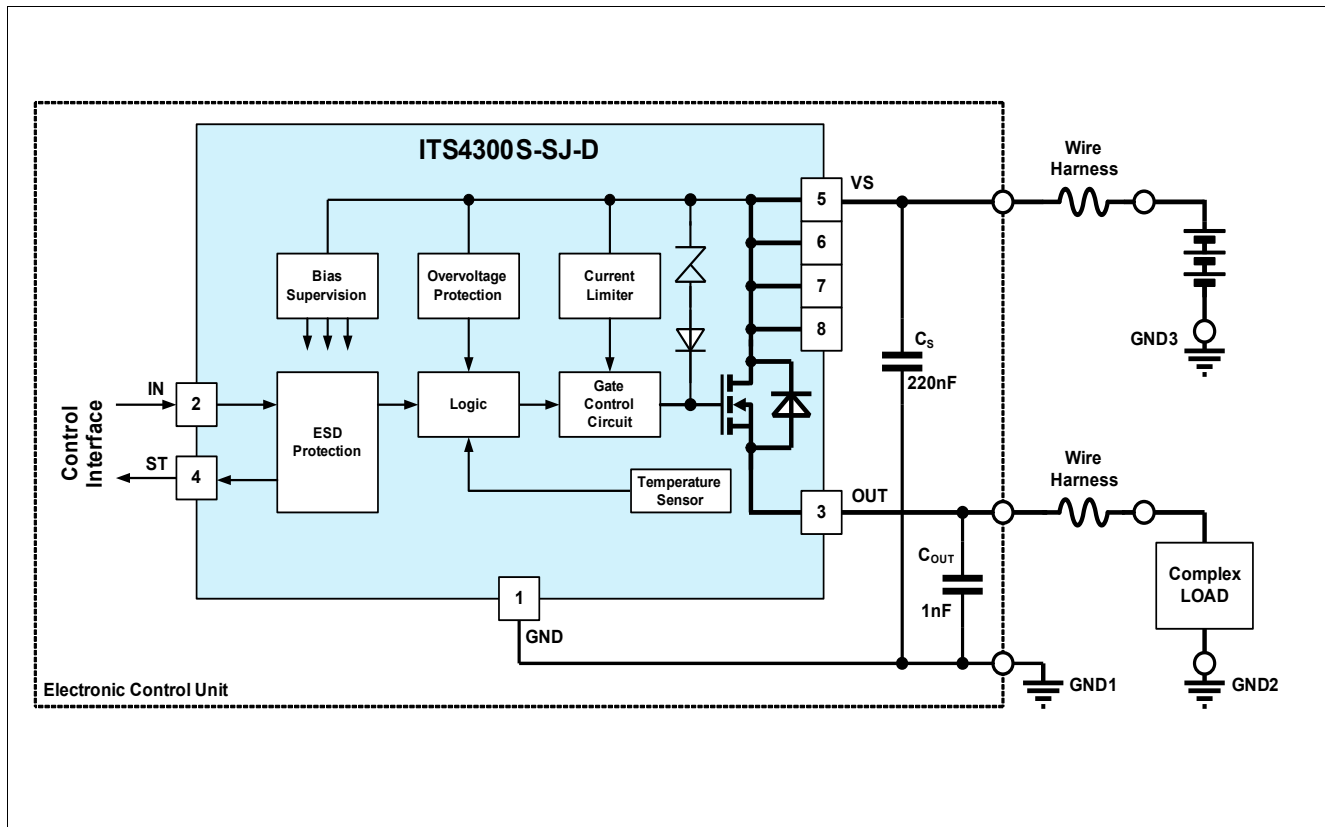


Figure 4 Application diagram

The ITS4300S-SJ-D can be connected directly to a supply network. It is recommended to place a ceramic capacitor (e.g. $C_S = 220\text{nF}$) between supply and GND to avoid line disturbances. Wire harness inductors/resistors are sketched in the application circuit above.

The complex load (resistive, capacitive or inductive) must be connected to the output pin OUT.

A built-in current limit protects the device against destruction.

The ITS4300S-SJ-D can be switched on and off with standard logic ground related logic signal at pin IN.

In standby mode (IN=L) the ITS4300S-SJ-D is deactivated with very low current consumption.

The output voltage slope is controlled during on and off transition to minimize emissions. Only a small ceramic capacitor $C_{OUT} = 1\text{nF}$ is recommended to attenuate RF noise.

In the following chapters the main features, some typical waveforms and the protection behavior of the ITS4300S-SJ-D is shown. For further details please refer to application notes on the Infineon homepage.

Application information

6.2 Diagnosis description

For diagnostic purpose the device provides a digital output pin ST in order to indicate fault conditions.

The status output (ST) of the ITS4300S-SJ-D is a high voltage open drain output.

In “normal” operation mode the NMOS open drain transistor is switched OFF.

The following truth table defines the status output.

Table 6 Truth table of diagnosis feature

Device operation	IN	OUT	ST	Comment
Normal operation	H	H	H	
Short circuit to GND	L	L	H	No diagnosis
Short circuit to GND	H	L	L	OUT=L: $V_{OUT} < V_{OUTSC}$; Short circuit detection voltage; typ 2.8V
Short circuit to V_S (in OFF state)	L	H	L	
Short circuit to V_S (in ON state)	H	H	H	No diagnosis
Overload	L	L	H	No diagnosis
Overload	H	H	H	OUT=H: $V_{OUT} > V_{OUTSC}$; Short circuit detection voltage; typ 2.8V
Overtemperature	L	L	H	No diagnosis
Overtemperature	H	L	L	
Open load in OFF state	L	H	L	
Open load in OFF state	H	H	H	No diagnosis

Application information

6.3 Special feature description

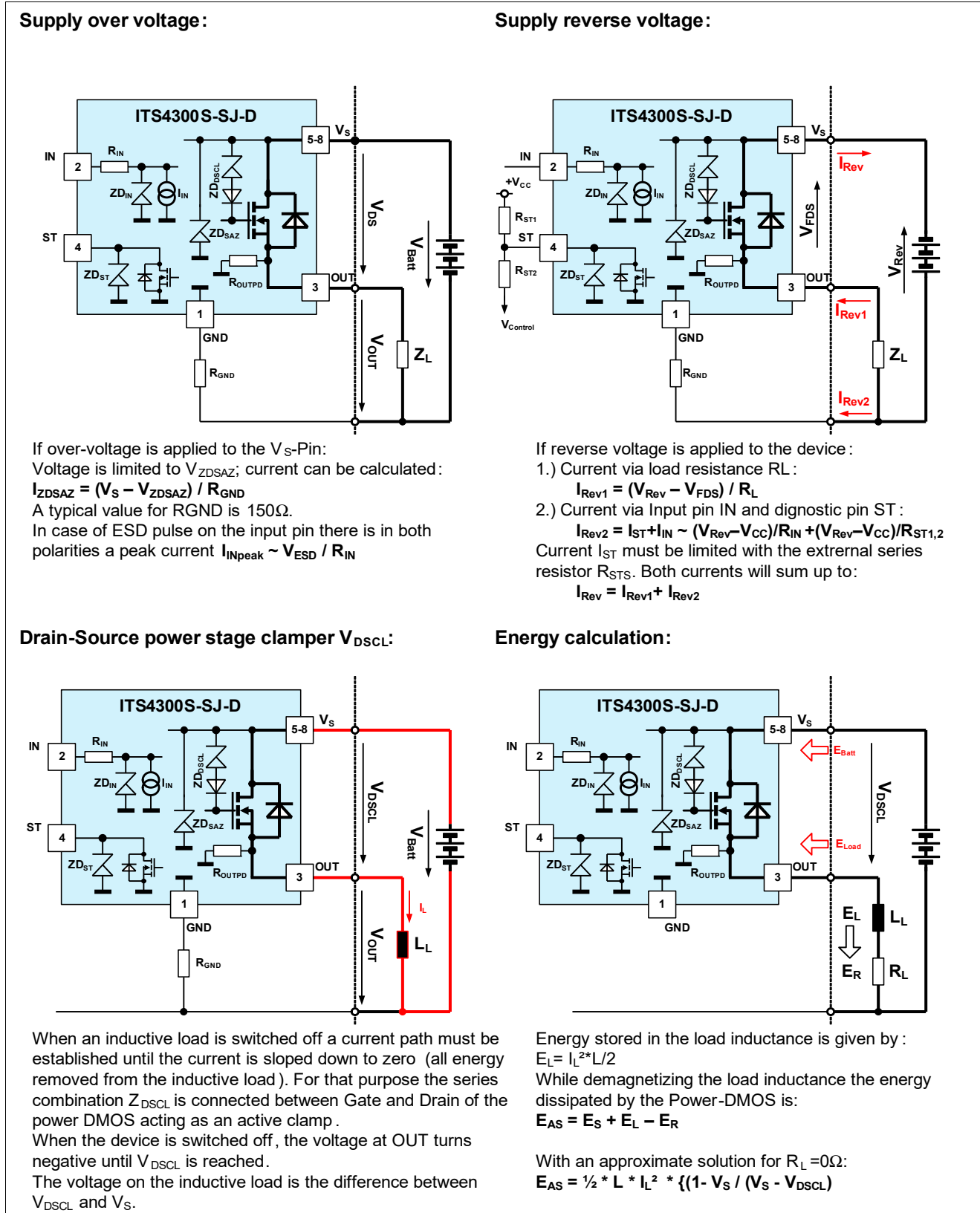


Figure 5 Special feature description

6.4 Typical application waveforms

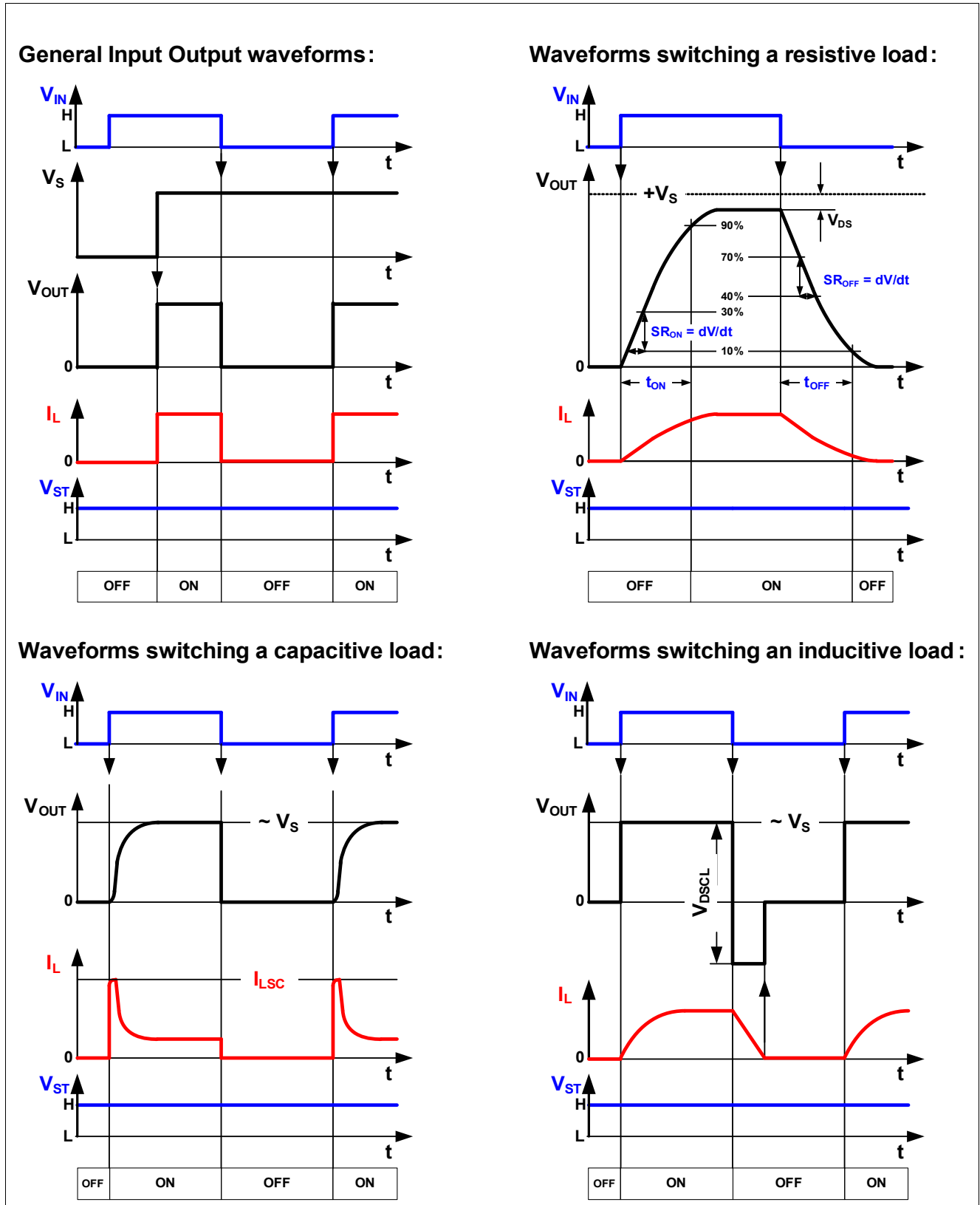


Figure 6 Typical application waveforms of the ITS4300S-SJ-D

6.5 Protection behavior

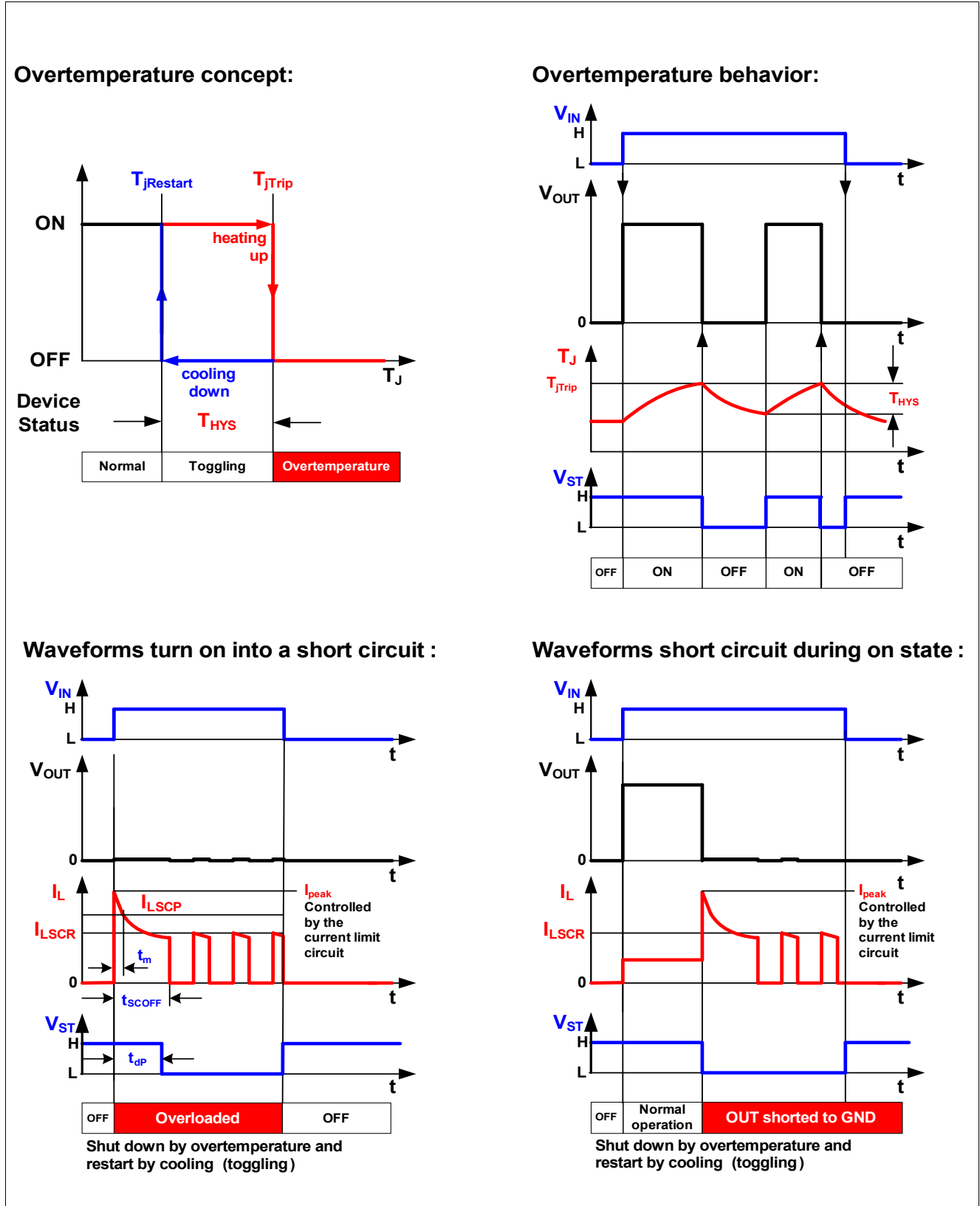


Figure 7 Protective behavior of the ITS4300S-SJ-D

Package information

7 Package information

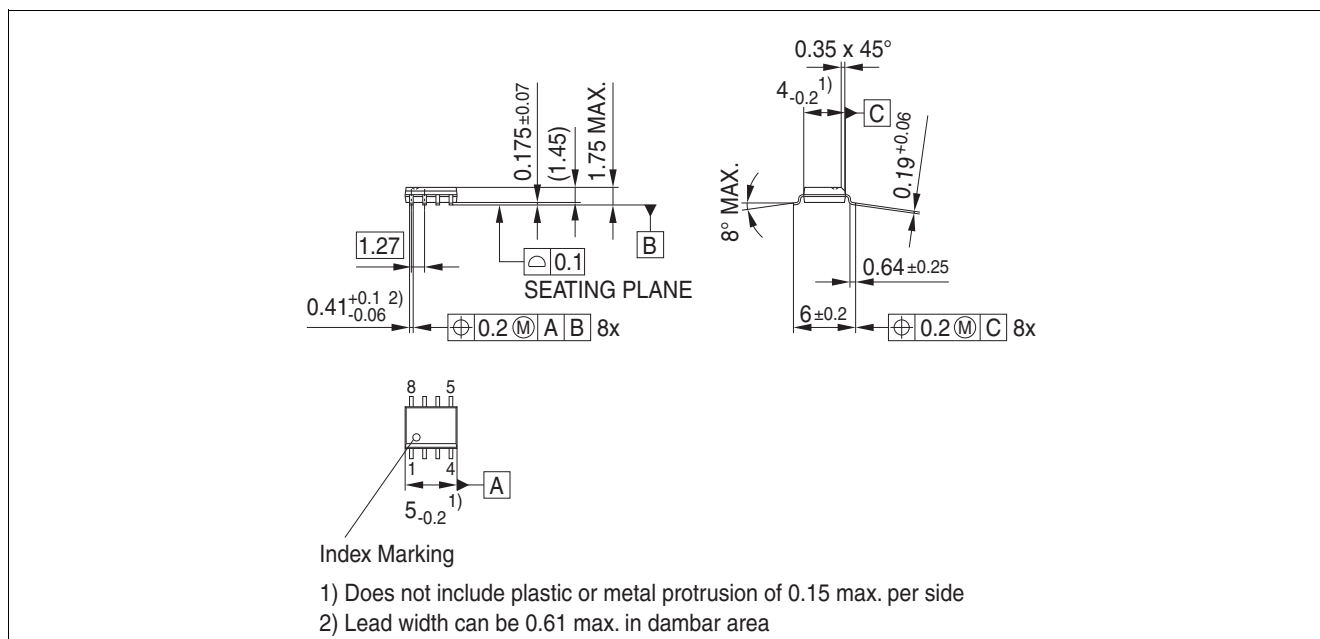


Figure 8 PG-DSO-8¹⁾

Green Product (RoHS compliant)

To meet the world-wide customer requirements for environmentally friendly products and to be compliant with government regulations the device is available as a green product. Green products are RoHS-Compliant (i.e Pb-free finish on leads and suitable for Pb-free soldering according to IPC/JEDEC J-STD-020).

Further information on packages

<https://www.infineon.com/packages>

1) Dimensions in mm

Revision history

8 Revision history

Revision	Date	Changes
1.1	2019-07-25	Datasheet updated: - ESD ratings for HBM updated according to ANSI/ESDA/JEDEC JS-001 - Editorial changes
1.0	12-09-01	Datasheet release

Trademarks

All referenced product or service names and trademarks are the property of their respective owners.

Edition 2019-07-25

Published by

Infineon Technologies AG

81726 Munich, Germany

© 2019 Infineon Technologies AG.

All Rights Reserved.

Do you have a question about any aspect of this document?

Email: erratum@infineon.com

Z8F51106901

IMPORTANT NOTICE

The information given in this document shall in no event be regarded as a guarantee of conditions or characteristics ("Beschaffenheitsgarantie").

With respect to any examples, hints or any typical values stated herein and/or any information regarding the application of the product, Infineon Technologies hereby disclaims any and all warranties and liabilities of any kind, including without limitation warranties of non-infringement of intellectual property rights of any third party.

In addition, any information given in this document is subject to customer's compliance with its obligations stated in this document and any applicable legal requirements, norms and standards concerning customer's products and any use of the product of Infineon Technologies in customer's applications.

The data contained in this document is exclusively intended for technically trained staff. It is the responsibility of customer's technical departments to evaluate the suitability of the product for the intended application and the completeness of the product information given in this document with respect to such application.

For further information on technology, delivery terms and conditions and prices, please contact the nearest Infineon Technologies Office (www.infineon.com).

Please note that this product is not qualified according to the AEC Q100 or AEC Q101 documents of the Automotive Electronics Council.

WARNINGS

Due to technical requirements products may contain dangerous substances. For information on the types in question please contact your nearest Infineon Technologies office.

Except as otherwise explicitly approved by Infineon Technologies in a written document signed by authorized representatives of Infineon Technologies, Infineon Technologies' products may not be used in any applications where a failure of the product or any consequences of the use thereof can reasonably be expected to result in personal injury.