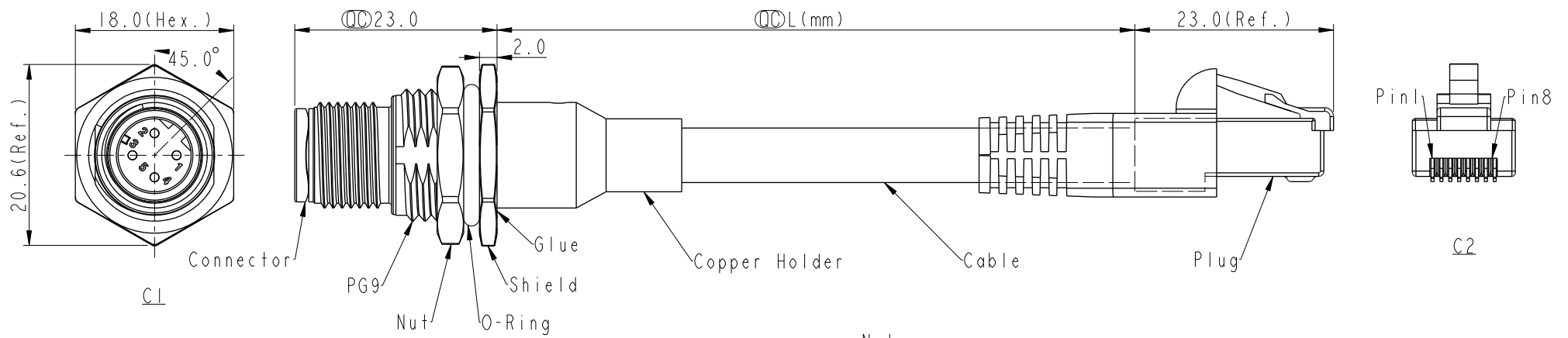


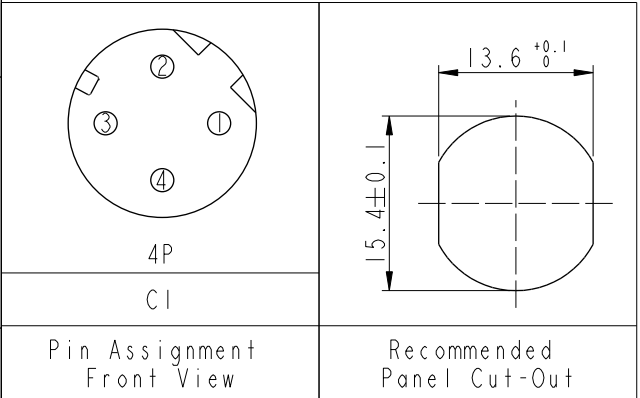
THIS DOCUMENT IS SUBJECT TO CHANGE WITHOUT NOTICE. IT IS CONFIDENTIAL AND A PROPERTY OF AMPHENOL LTW. DISCLOSURE TO THIRD PARTY HAS TO BE AUTHORIZED BY AMPHENOL LTW.

REV.	ECN NO.	DATE	SIGN	DESCRIPTION
A		2022-06-22	Jiahe Lin	Rev.01 To Rev.A
B	C221046	2022-07-10	Allen Pan	$\triangle B \times 1$

MSDS-XXPMMJ-SF8AXX  
 XX: No. Of Pin  
 XX:L=0~5Meters  
 A5:L=0.5Meters  
 01:L=1Meters  
 02:L=2Meters  
 ...  
 05:L=5Meters



Note:  
 \* RoHS Compliant  
 \*  $\text{\textcircled{C}}$  Important Dimension  
 \* C1  
 Waterproof Rate: IPX8, Unmated 1m/24h  
 Housing: Thermoplastic, Black  
 Pin: Copper Alloy, Gold Plated  
 O-Ring: Rubber, Black  
 Shield: Metal  
 Nut: Metal  
 \* C2  
 Waterproof Rate: Non-Waterproof  
 Plug: RJ45, Shielded  
 \* For panel thickness max: 4.5mm  
 \* Nut is packed separately in pe bag  
 \*  $\triangle B$  Cable: CAT-5E, 22#\*2P+AL/MY+D, OD=6.2mm, PU Jacket, Black  
 \* Cable length tolerance: 0.5M < L ≤ 1M: +60/-0 mm  
 1M < L ≤ 3M: +120/-0 mm  
 3M < L ≤ 5M: +160/-0 mm



UNIT:mm	$\text{\textcircled{C}}$	$\text{\textcircled{C}}$	TITLE N SEN, M12 D -SHLD, SCREW RECEPTACLE, M, M, RJ PLUG	
TOLERANCE .X ±0.25 .XX ±0.1 .XXX ±0.05 ANGLES ±1°	SCALE 2:1	SIZE A4	SHEET 1 OF 2	REV. B
		WC-REV.	$\text{\textcircled{C}}$ : Inspection item	

**Amphenol LTW**  
 安費諾亮泰企業股份有限公司

ITEM NO	DRAWN BY Jiahe Lin	DATE 2022-06-22
DWG NO MSDS-XXPMMJ-SF8AXX	CHECKED BY Allen Pan	DATE 2022-06-22
CUSTOMER ALTW	APPROVED BY Fred Lee	DATE 2022-06-22

THIS DOCUMENT IS SUBJECT TO CHANGE WITHOUT NOTICE. IT IS CONFIDENTIAL AND A PROPERTY OF Amphenol LTW. DISCLOSURE TO THIRD PARTY HAS TO BE AUTHORIZED BY Amphenol LTW.

	1	2	3	4	5	6	7	8																																																														
F																																																																						
E																																																																						
D																																																																						
C																																																																						
B	<table border="1" style="width: 100%; border-collapse: collapse;"> <tr> <td style="width: 12.5%;">Shield</td> <td style="width: 12.5%;">Drain</td> <td style="width: 12.5%;">地線</td> <td style="width: 12.5%;">Shield</td> <td colspan="4"></td> </tr> <tr> <td>4</td> <td>Green</td> <td>綠</td> <td>6</td> <td colspan="4" rowspan="2">Twist</td> </tr> <tr> <td>2</td> <td>White/Green</td> <td>白/綠</td> <td>3</td> </tr> <tr> <td>3</td> <td>Orange</td> <td>橘</td> <td>2</td> <td colspan="4" rowspan="2">Twist</td> </tr> <tr> <td>1</td> <td>White/Orange</td> <td>白/橘</td> <td>1</td> </tr> <tr> <td>C1</td> <td colspan="2">Wire Color</td> <td>C2</td> <td colspan="4"></td> </tr> <tr> <td colspan="8" style="text-align: center;">Pin Out</td> </tr> </table>								Shield	Drain	地線	Shield					4	Green	綠	6	Twist				2	White/Green	白/綠	3	3	Orange	橘	2	Twist				1	White/Orange	白/橘	1	C1	Wire Color		C2					Pin Out																					
Shield	Drain	地線	Shield																																																																			
4	Green	綠	6	Twist																																																																		
2	White/Green	白/綠	3																																																																			
3	Orange	橘	2	Twist																																																																		
1	White/Orange	白/橘	1																																																																			
C1	Wire Color		C2																																																																			
Pin Out																																																																						
A	<table border="1" style="width: 100%; border-collapse: collapse;"> <tr> <td style="width: 12.5%;">UNIT:mm</td> <td style="width: 12.5%; text-align: center;">   </td> <td style="width: 12.5%;">TITLE</td> <td colspan="2" style="width: 12.5%;">N SEN, M12 D -SHLD, SCREW RECEPTACLE, M, M, RJ PLUG</td> <td colspan="2" style="width: 12.5%; text-align: center;"> <h2 style="margin: 0;">Amphenol LTW</h2> <p style="margin: 0;">安費諾亮泰企業股份有限公司</p> </td> <td style="width: 12.5%;">ITEM NO</td> <td style="width: 12.5%;">DRAWN BY</td> <td style="width: 12.5%;">DATE</td> </tr> <tr> <td>TOLERANCE</td> <td></td> <td>SCALE</td> <td>SIZE</td> <td>SHEET</td> <td>OF</td> <td></td> <td></td> <td></td> <td></td> </tr> <tr> <td>.X</td> <td>±0.25</td> <td>1:1</td> <td>A4</td> <td>2</td> <td>2</td> <td></td> <td>MSDS-XXPMMJ-SF8AXX</td> <td>Checked By</td> <td>Allen Pan</td> <td>2022-06-22</td> </tr> <tr> <td>.XX</td> <td>±0.1</td> <td>REV.</td> <td>WC-REV.</td> <td colspan="2" style="text-align: center;"> : Inspection item             </td> <td></td> <td>CUSTOMER</td> <td>APPROVED BY</td> <td>Fred Lee</td> <td>2022-06-22</td> </tr> <tr> <td>.XXX</td> <td>±0.05</td> <td colspan="8"></td> </tr> <tr> <td>ANGLES</td> <td>±1°</td> <td colspan="8"></td> </tr> </table>								UNIT:mm	 	TITLE	N SEN, M12 D -SHLD, SCREW RECEPTACLE, M, M, RJ PLUG		<h2 style="margin: 0;">Amphenol LTW</h2> <p style="margin: 0;">安費諾亮泰企業股份有限公司</p>		ITEM NO	DRAWN BY	DATE	TOLERANCE		SCALE	SIZE	SHEET	OF					.X	±0.25	1:1	A4	2	2		MSDS-XXPMMJ-SF8AXX	Checked By	Allen Pan	2022-06-22	.XX	±0.1	REV.	WC-REV.	: Inspection item			CUSTOMER	APPROVED BY	Fred Lee	2022-06-22	.XXX	±0.05									ANGLES	±1°								
UNIT:mm	 	TITLE	N SEN, M12 D -SHLD, SCREW RECEPTACLE, M, M, RJ PLUG		<h2 style="margin: 0;">Amphenol LTW</h2> <p style="margin: 0;">安費諾亮泰企業股份有限公司</p>		ITEM NO	DRAWN BY	DATE																																																													
TOLERANCE		SCALE	SIZE	SHEET	OF																																																																	
.X	±0.25	1:1	A4	2	2		MSDS-XXPMMJ-SF8AXX	Checked By	Allen Pan	2022-06-22																																																												
.XX	±0.1	REV.	WC-REV.	: Inspection item			CUSTOMER	APPROVED BY	Fred Lee	2022-06-22																																																												
.XXX	±0.05																																																																					
ANGLES	±1°																																																																					
	2	3	4	5	6	7	8	WI0814-03-001A2																																																														