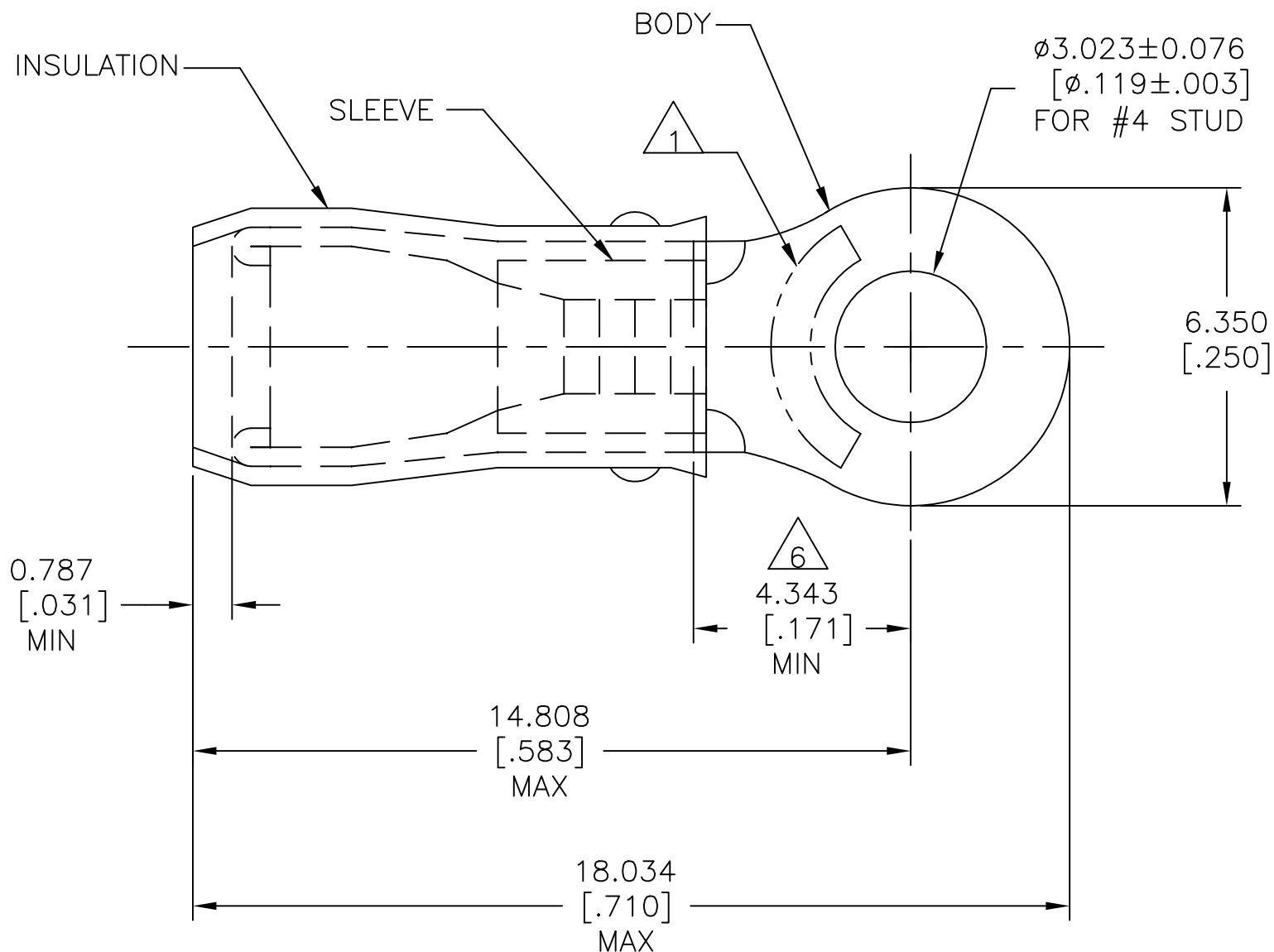


P	LTR	DESCRIPTION	DATE	DWN	APVD
	F	REV PER ECR 09-025674	01DEC09	JR	TM
	G	REVISED PER ECO-17-013200	07MAY2018	RS	DR



- 1 STAMP AMP 14-12 APPROX AS SHOWN
- 2 WIRE INSULATION DIA:
 $\phi 2.032 - \phi 3.175$ [$\phi 0.080 - \phi 0.125$]
- 3 BODY MATERIAL THK: 0.762 ± 0.051 [0.030 ± 0.002]
- 4 BODY & SLEEVE - TIN PLATE PER ASTM B545
INSULATION: COLOR - WHITE
- 5 BODY & SLEEVE - CU PER ASTM B152
INSULATION: NYLON
- 6 APPLIES FROM EDGE OF METAL WIRE BARREL
TO CENTER OF STUD HOLE

500	LOOSE PIECE	152876
QTY	PACKAGE TYPE	PART NO

AMP INCORPORATED
CUSTOMER SERVICE SYSTEMS

MAX RECOMMENDED OPERATING TEMPERATURE:
105°C [221°F] MAX

THIS DRAWING IS A CONTROLLED DOCUMENT.

FOR ADDITIONAL PRODUCT INFORMATION OR COPIES OF DRAWINGS AND TECHNICAL DOCUMENTS
PRODUCT INFORMATION CENTER
1-800-522-6752

VOLTAGE RATING:
300 V

DIMENSIONS: mm [INCHES]

TOLERANCES UNLESS OTHERWISE SPECIFIED:

FOR APPLICATION TOOLING INFORMATION
TOOLING ASSISTANCE CENTER
1-800-722-1111

CIRCULAR MIL AREA:
 $1.65 - 3.45 \text{mm}^2$ [3,260 - 6,800]
SOLID OR STRANDED

0 PLC ± -
1 PLC ± -
2 PLC ± -
3 PLC ± 0.127 [0.005]
4 PLC ± -
ANGLES ± -

FOR ORDER ENTRY
1-800-526-5142

THIS DRAWING IS A CONTROLLED DOCUMENT FOR AMP INCORPORATED. IT IS SUBJECT TO CHANGE AND THE CONTROLLING ENGINEERING ORGANIZATION SHOULD BE CONTACTED FOR THE LATEST REVISION.

MATERIAL 5 FINISH 4

DWN	JR RUTH	19FEB07
CHK	T MICHIELUTTI	19FEB07
APVD	T MICHIELUTTI	19FEB07
PRODUCT SPEC	-	-
APPLICATION SPEC	114-2157	-
WEIGHT	-	-
CUSTOMER DRAWING		

TE Connectivity Ltd.			NAME TERMINAL, RING TONGUE, NYLON, P.I.D.G. WIRE SIZE: 14-12 AWG		
A3			00779	C=152876	
SCALE 8:1			SHEET 1 OF 1	REV G	