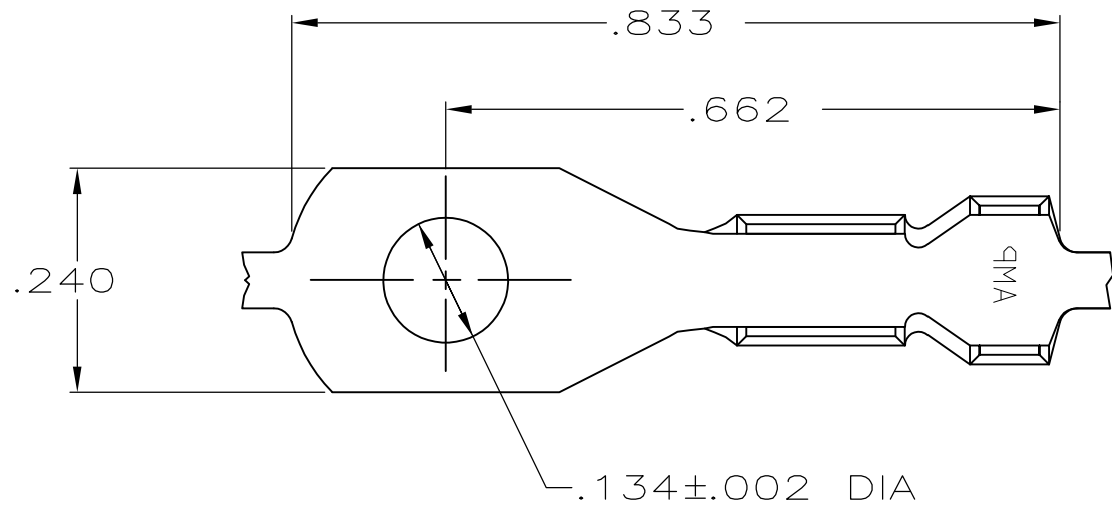
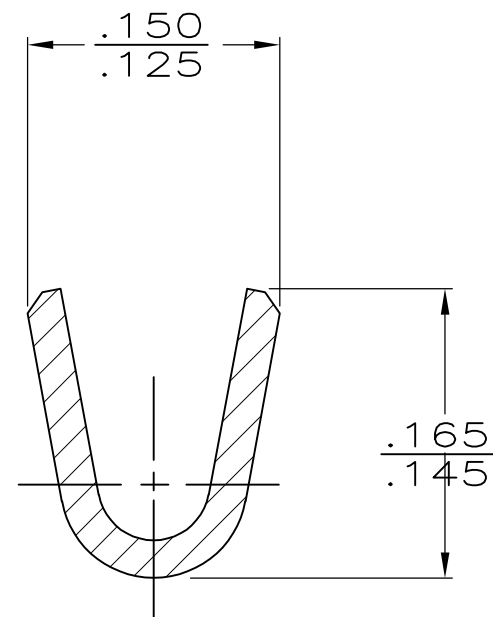
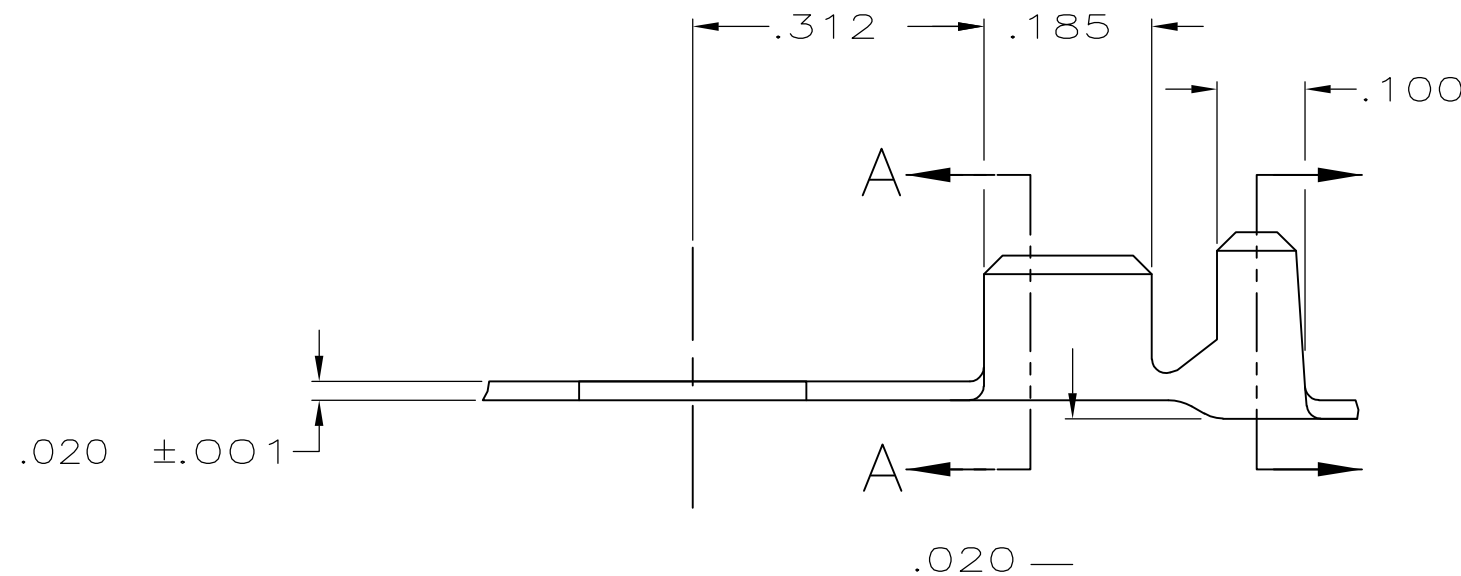


THIS DRAWING IS UNPUBLISHED. RELEASED FOR PUBLICATION, 19  
 © COPYRIGHT 19 BY AMP INCORPORATED. ALL INTERNATIONAL RIGHTS RESERVED.

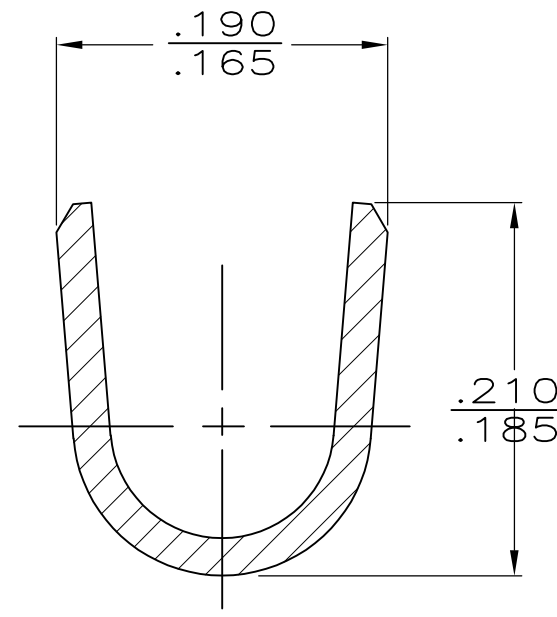
|     |      |   |   |           |     |                           |          |      |
|-----|------|---|---|-----------|-----|---------------------------|----------|------|
| LOC | DIST | P | F | REVISIONS |     |                           |          |      |
| AF  | 50   |   |   | ZONE      | LTR | DESCRIPTION               | DATE     | APPD |
|     |      |   |   |           | A1  | RELEASE PER FASR          | 2/23/89  | —    |
|     |      |   |   |           | A2  | REVISED PER ECR-15-015288 | 02/11/15 | T.D  |



1 CONTINUOUS STRIP ON REELS



SECTION A-A  
SCALE 10:1



SECTION B-B  
SCALE 10:1

|                    |      |          |                    |                   |  |              |   |         |            |
|--------------------|------|----------|--------------------|-------------------|--|--------------|---|---------|------------|
|                    |      | OBSOLETE |                    | .100-.140         |  | 18-14        |   | 63518-1 |            |
|                    |      |          |                    | INSULATION DIA    |  | WIRE RANGE   |   | PART NO |            |
| F or O             | .155 | .235     | F                  | .110              | .085   | 14           | AMP INCORPORATED<br>Harrisburg, Pa. 17105   |         |            |
|                    |      |          |                    |                   | DO NOT SCALE PRINT. UNLESS SPECIFIED DIMENSIONS IN INCHES TOLERANCES ON: |              | DR 10/17/88<br>P FORTNEY<br>CHK 10/19/88<br>JR RUTH<br>APPD 10/19/88<br>D DECKER<br>APPD 10/19/88<br>TL SHUTTER<br>PRODUCT SPEC<br>—<br>APPLICATION SPEC<br>—<br>WEIGHT — |         |            |
|                    |      |          |                    |                   | MATERIAL   |              | NAME  |         |            |
|                    |      |          |                    |                   | #2 HARD BRASS  |              | RING  |         |            |
|                    |      |          |                    |                   | FINISH   |              | SIZE  |         |            |
|                    |      |          |                    |                   | PRE-TIN  |              | B   |         |            |
| TYPE               |      | WIDTH    | STRIP LENGTH ±.015 | TYPE              | WIDTH  | ±.002 HEIGHT | WIRE  | FSCM NO | DRAWING NO |
| INSUL BARREL CRIMP |      |          |                    | WIRE BARREL CRIMP |  |              |   | 00779   | 63518      |
|                    |      |          |                    |                   |  |              | SCALE   | SHEET   | 1 OF 1     |
|                    |      |          |                    |                   |  |              | 5:1   |         |            |