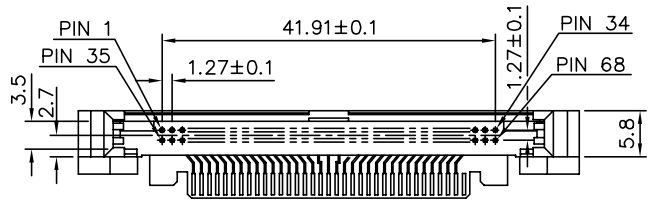
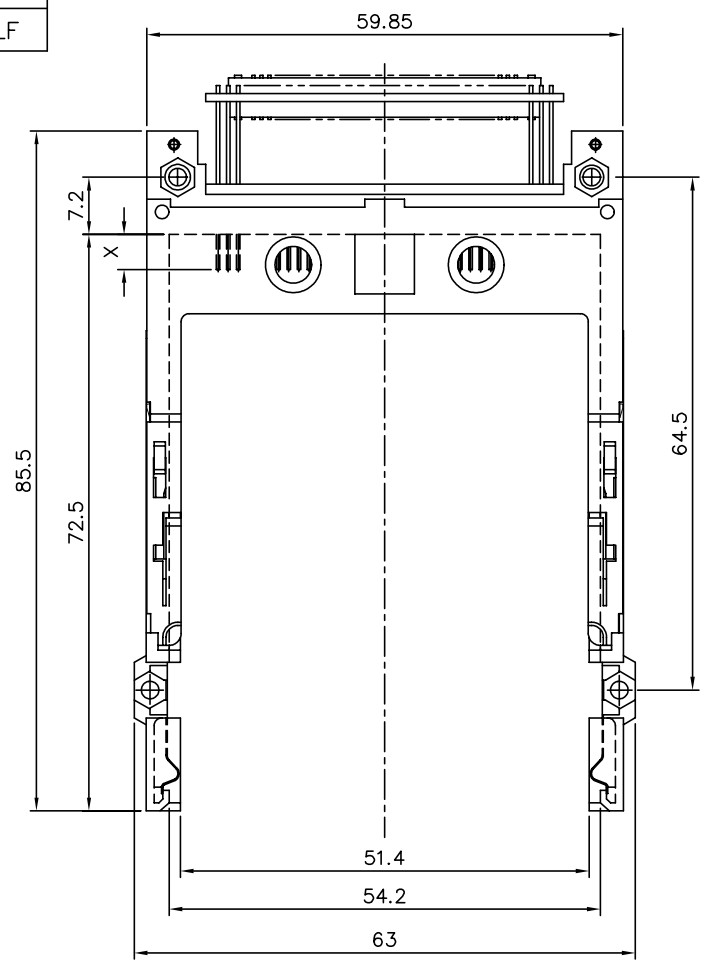


FCI CONFIDENTIAL

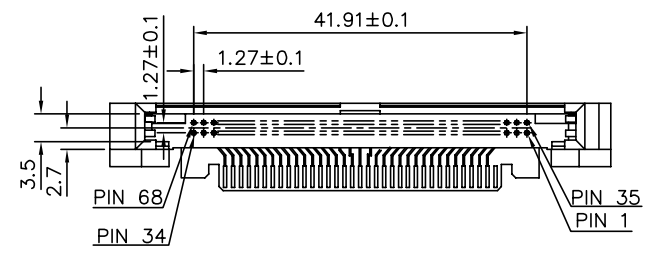
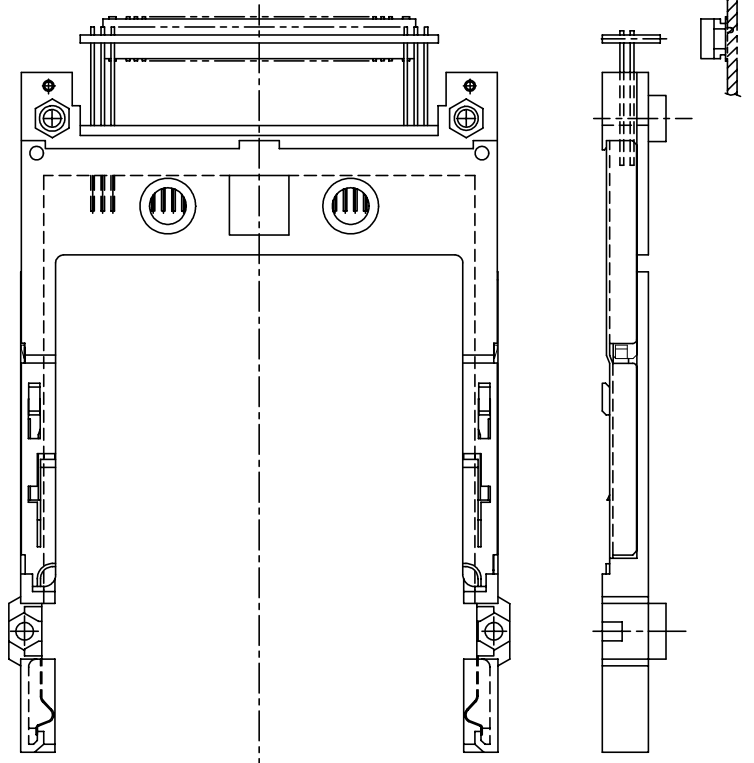
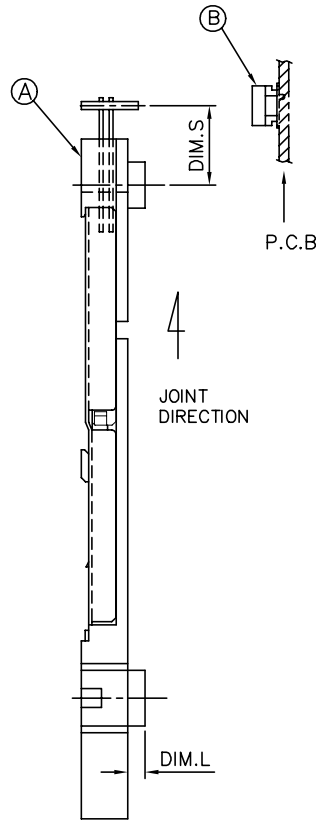


This document is the property of and embodies CONFIDENTIAL and PROPRIETARY information of FCI. No part of this information shown on this document may be used in any way or disclosed to others without the written consent of FCI.
Copyright FCI.

PRODUCT NO.	
88640-***	
88640-***LF	



ABOVE P.C.B(P.C.B LAYOUT SEE PAGE 3,4)



BELOW P.C.B(P.C.B LAYOUT SEE PAGE 5,6)

mat'l. code		surface		tolerance		projection		product family	
		ISO 1302		ISO 406		ISO 1181		EJECTOR HEADER ASS'Y	
ltr ecn no dr date		tolerances unless otherwise specified		linear		MM		68POS. SMT TYP 1/2/3	
E	T90210	W	L	05/24/99	angles	±0.30		scale 1:1	
F	T04-0205	W	L	05/13/04	linear			dwg no 88640	
G	N05-0156	W	B	06/15/05	±2'			sheet 1 of 6 size A4	
H	N08-0099	MZ		12/11/07	dr	WENDY CHEN 12/19/95		type CUSTOMER Drawing	
J	ELX-N-011428	ZK		04/10/12	enr	JOSEPH HSIA 12/19/95			
					chr	JOSEPH HSIA 12/19/95			
					app	JENN TSAO 12/19/95			
sheet index	revision sheet	J	J	J	J	J	J		
		1	2	3	4	5	6		

FCI CONFIDENTIAL

FCI

This document is the property of and embodies CONFIDENTIAL and PROPRIETARY information of FCI. No part of this information shown on this document may be used in any way or disclosed to others without the written consent of FCI. Copyright FCI.

A

B

C

D

NOTES:

- P.C.B SIDE ARE AS APPEARS INSTALLED.
- MATERIAL
 - 2.1 HEADER ASS'Y :
 - PLASTIC :HOUSING ...HIGH TEMPERATURE THERMOPLASTIC UL94V-0 BLACK(ABOVE P.C.B)
 - ...HIGH TEMPERATURE THERMOPLASTIC UL94V-0 BLACK(BELOW P.C.B)
 - PIN :COPPER ALLOY
 - PCB : FR4
 - 2.2 EJECT MECHANISM ASS'Y :
 - PLASTIC :GUIDE:HIGH TEMPERATURE THERMOPLASTIC UL94V-0 BLACK
 - PLATE :STAINLESS
 - EMI CONTACT:PHOSPHOR BRONZE
- FINISH (PIN)
 - UNDER PLATING :0.5 um MIN. Ni
 - 1.27um Ni (ONLY FOR 88640-051LF)
 - CONTACT AREA :0.076 um MIN. GOLD
 - SOLDER TAIL : 2.5 um MIN. Sn-Pb
 - : 2.5 um MIN. PURE Sn (FOR -****LF)
- DIM "X"

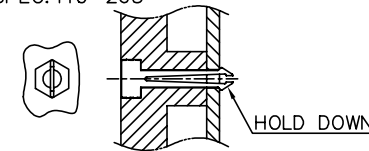
4.25±0.1	3.5±0.1	5.0±0.1
OTHERS	36,67	1,17,34,35,51,68
- DO NOT TOUCH AND KEEP CLEAN THE SURFACES OF P.C.B OF HEADER.
- ADD "H" TO PART NUMBER FOR OPTIONAL HOLD DOWN (4 PER ASSEMBLY IN EJECT MECHANISM AND HEADER)
- IF LEAD FREE P.N.THE HOUSING WILL WITHSTAND EXPOSURE TO 260°C PEAK TEMPERATURE FOR 10 SECONDS IN A WAVE SOLDER APPLICATION WITH A 1.00MM MINIMUM THICK CIRCUIT BOARD.
- IF LEAD FREE P/N.THE PRODUCT MEETS EUROPEAN UNION DIRECTIVES AND OTHER COUNTRY REGULATIONS AS DESCRIBED IN GS-22-008
- LEAD FREE P/N PACKAGING MEETS GS-14-920 SPECIFICATION
- PRODUCT SPEC:110-263

BELOW	0	88640-155/155LF	91931-31169 91931-31169LF	6.55	NO	LAYOUT 6-1
	5	88640-150/150LF		-0.3	YES	LAYOUT 6-2
	0	88640-145/145LF		6.55	NO	LAYOUT 6-1
	4.3	88640-143/143LF		-0.3	YES	LAYOUT 6-2
	0	88640-125/125LF		9.0	NO	LAYOUT 5-1
	2.2	88640-122/122LF		2.15	YES	LAYOUT 5-2
	0	88640-100/100LF		10.0	NO	LAYOUT 4
ABOVE	0	88640-055/055LF	91931-31169 91931-31169LF	6.55	NO	LAYOUT 3-1
	5	88640-050H/050HLF		-0.3	YES	LAYOUT 3-2
	5	88640-050/050LF		-0.3	YES	LAYOUT 3-2
	5	88640-051/051LF		-0.3	YES	LAYOUT 3-2
	0	88640-045/045LF		6.55	NO	LAYOUT 3-1
	4.3	88640-043/043LF		-0.3	YES	LAYOUT 3-2
	0	88640-025/025LF		9.0	NO	LAYOUT 2-1
	2.2	88640-022/022LF		2.15	YES	LAYOUT 2-2
	0	88640-000/000LF		10.0	NO	LAYOUT 1
P.C.B. SIDE ①	DIM. L	Ⓐ EJ HEADER ASS'Y	Ⓑ CONAN RECEPTACLE	DIM.S	CAN BE USED FOR SINGLE DECK	P.C.B LAYOUT

ORDERING INFORMATION

NAME	PART NO.	Q'TY
Ⓐ EJECT HEADER ASS'Y	88640-XXXX	1
Ⓑ MATING RECEPTACLE	91931-31169	1

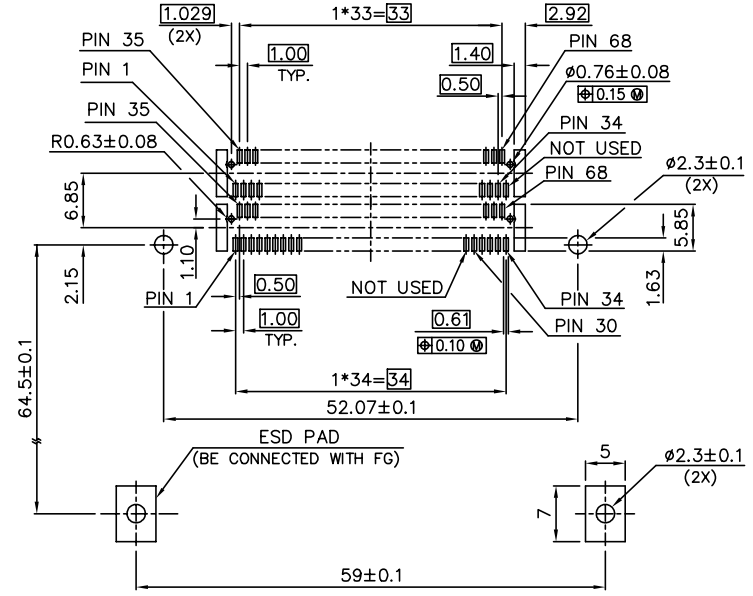
NAME	PART NO.	Q'TY
Ⓐ EJECT HEADER ASS'Y	88640-XXXXLF	1
Ⓑ MATING RECEPTACLE	91931-31169LF	1



mat'l. code	surface ISO 1302	tolerance ISO 406 ISO 1181	projection ISO 1181	product family
ltr	ecn	no	dr	date
tolerances unless otherwise specified				title
J	angles	linear	±0.30	MM
	±2'			scale 1:1
dr	WENDY CHEN	12/19/95		
engr	JOSEPH HSIA	12/19/95		
chr	JOSEPH HSIA	12/19/95		
appd	JENN TSAO	12/19/95		
sheet index	revision sheet			
				EJECTOR HEADER ASS'Y 68POS. SMT TYP 1/2/3 dwg no 88640 sheet 2 of 6 size A4 type CUSTOMER Drawing

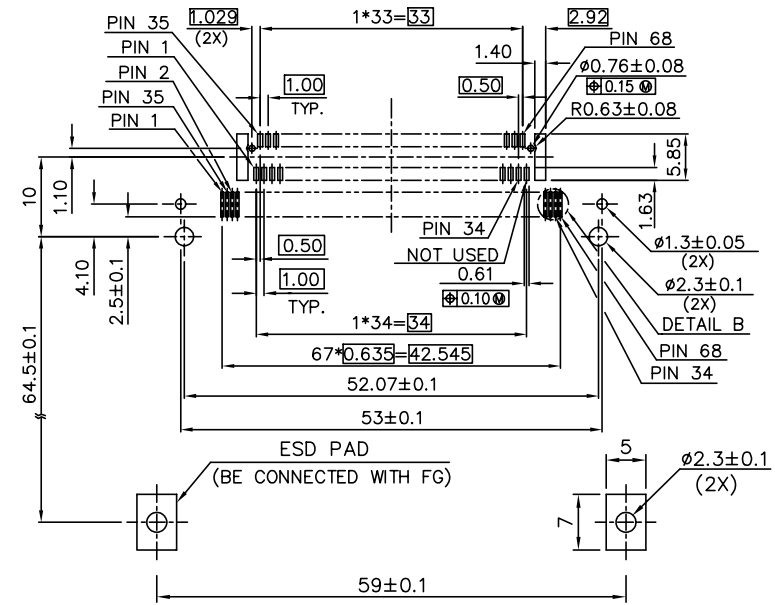
FCI CONFIDENTIAL

USED FOR 88640-022 WITH 88640-025
 USED FOR 88640-022LF WITH 88640-025LF



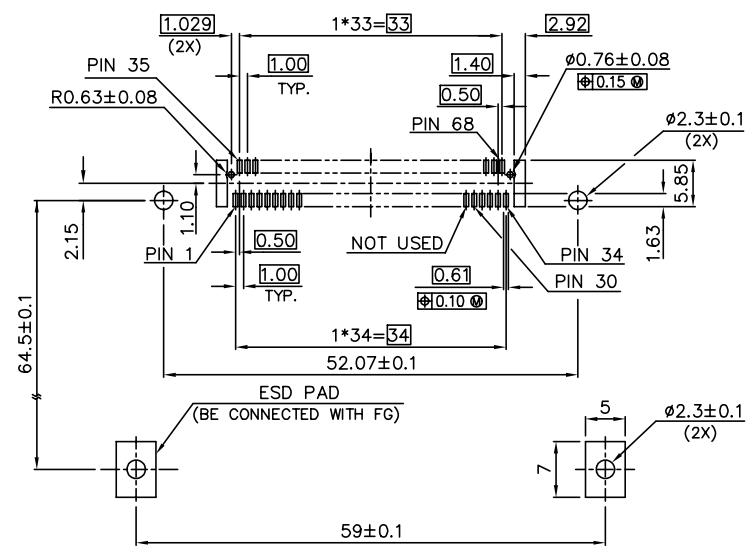
RECOMMENDED P.C.B. LAYOUT 2-1(MOUNTED SIDE)

USED FOR 88640-000 WITH 92789-002
 USED FOR 88640-000LF WITH 92789-002LF

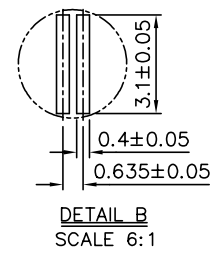


RECOMMENDED P.C.B. LAYOUT 1 (MOUNTED SIDE)

USED FOR 88640-022 /022LF



RECOMMENDED P.C.B. LAYOUT 2-2(MOUNTED SIDE)



mat'l. code		surface		tolerance		projection		product family	
		ISO 1302		ISO 406 ISO 1181		1181			
ltr ecn no dr date		tolerances unless otherwise specified							
J		angles		linear ± 0.30		MM		EJECTOR HEADER ASS'Y 68POS. SMT TYP 1/2/3	
		±2'				scale 1:4:1		dwg no sheet 3 of 6 size	
		dr WENDY CHEN 12/19/95		enr JOSEPH HSIA 12/19/95		chr JOSEPH HSIA 12/19/95		88640 A4	
		app JENN TSAO 12/19/95				FCI		type CUSTOMER Drawing	
sheet index		revision sheet							

This document is the property of and embodies CONFIDENTIAL and PROPRIETARY information of FCI. No part of this information shown on this document may be used in any way or disclosed to others without the written consent of FCI.
 Copyright FCI.

FCI CONFIDENTIAL

This document is the property of and embodies CONFIDENTIAL and PROPRIETARY information of FCI. No part of this information shown on this document may be used in any way or disclosed to others without the written consent of FCI.
Copyright FCI.

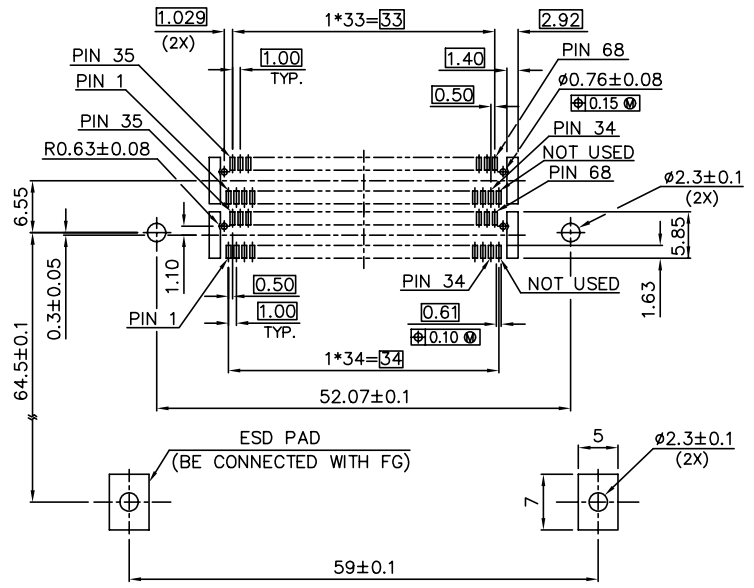
FCI
FCIconnect.com

USED FOR 88640-043 WITH 88640-045
USED FOR 88640-050 WITH 88640-055

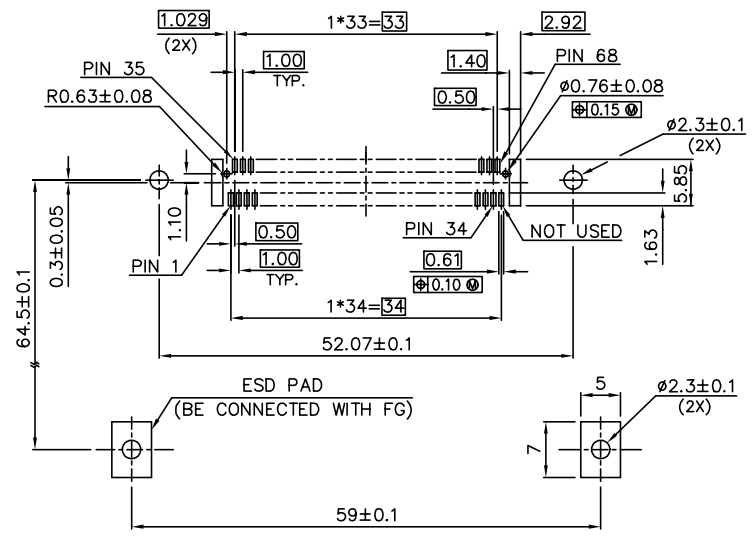
USED FOR 88640-043LF WITH 88640-045LF
USED FOR 88640-050LF WITH 88640-055LF

USED FOR 88640-043
USED FOR 88640-050
USED FOR 88640-051
USED FOR 88640-050H

USED FOR 88640-043LF
USED FOR 88640-050LF
USED FOR 88640-051LF
USED FOR 88640-050HLF



RECOMMENDED P.C.B. LAYOUT 3-1 (MOUNTED SIDE)

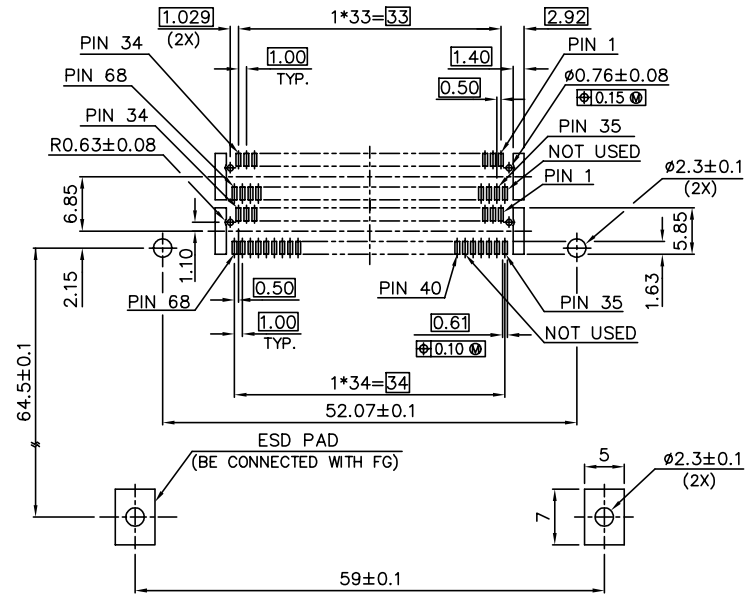


RECOMMENDED P.C.B. LAYOUT 3-2 (MOUNTED SIDE)

mat'l. code		surface		tolerance		projection		product family	
		ISO 1302		ISO 406 ISO 1181		1.00		EJECTOR HEADER ASS'Y	
tr		ecn		nadr		date		tolerances unless otherwise specified	
J				angles		linear ± 0.30		EJECTOR HEADER ASS'Y	
				±2'		MM		68POS. SMT TYP 1/2/3	
		dr		WENDY CHEN		12/19/95		scale 1.5:1	
		enr		JOSEPH HSIA		12/19/95		dwg no	
		chr		JOSEPH HSIA		12/19/95		sheet 4 of 6	
		appd		JENN TSAO		12/19/95		size	
sheet		revision						A4	
index		sheet						type CUSTOMER Drawing	

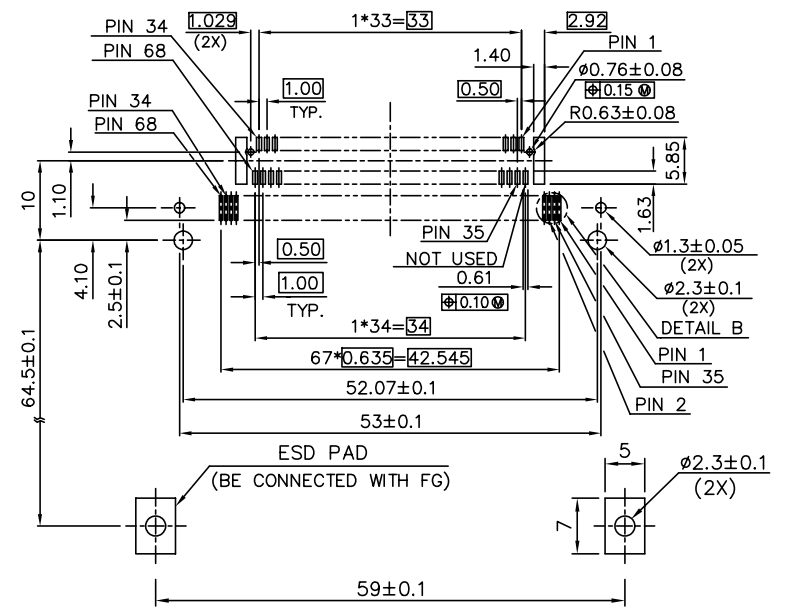
FCI CONFIDENTIAL

USED FOR 88640-122 WITH 88640-125
 USED FOR 88640-122LF WITH 88640-125LF



RECOMMENDED P.C.B. LAYOUT 5-1 (MOUNTED SIDE)

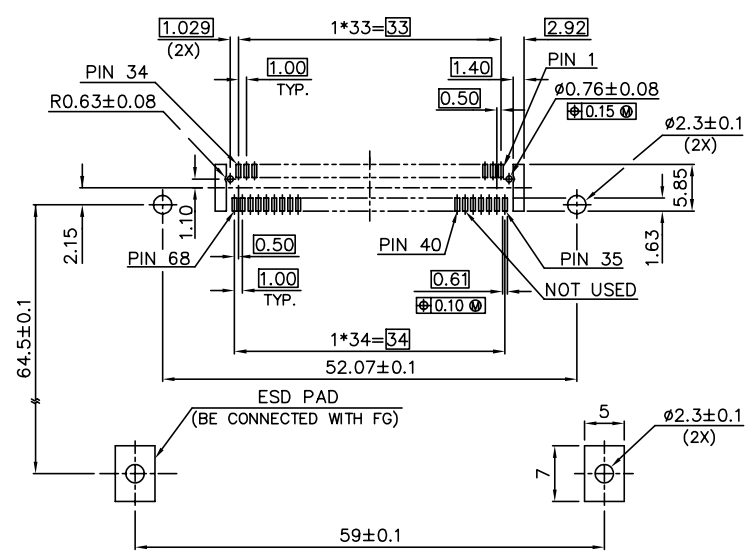
USED FOR 88640-100 WITH 92789-502
 USED FOR 88640-100LF WITH 92789-502LF



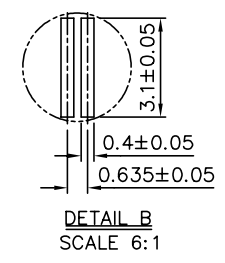
RECOMMENDED P.C.B. LAYOUT 4 (MOUNTED SIDE)

FCI CONFIDENTIAL
 This document is the property of and embodies CONFIDENTIAL and PROPRIETARY information of FCI. No part of this information shown on this document may be used in any way or disclosed to others without the written consent of FCI.
 Copyright FCI.

USED FOR 88640-122/122LF



RECOMMENDED P.C.B. LAYOUT 5-2 (MOUNTED SIDE)



mat'l. code		surface		tolerance		projection		product family	
		ISO 1302		ISO 406 ISO 1181		MM		EJECTOR HEADER ASS'Y 68POS. SMT TYP 1/2/3	
ltr ecn no dr date		tolerances unless otherwise specified							
J		angles		linear ± 0.30		scale 1:4:1		dwg no 88640 sheet 5 of 6 size A4	
		±2'						type CUSTOMER Drawing	
		dr WENDY CHEN 12/19/95		enr JOSEPH HSIA 12/19/95		chr JOSEPH HSIA 12/19/95		app JENN TSAO 12/19/95	
sheet index		revision sheet							

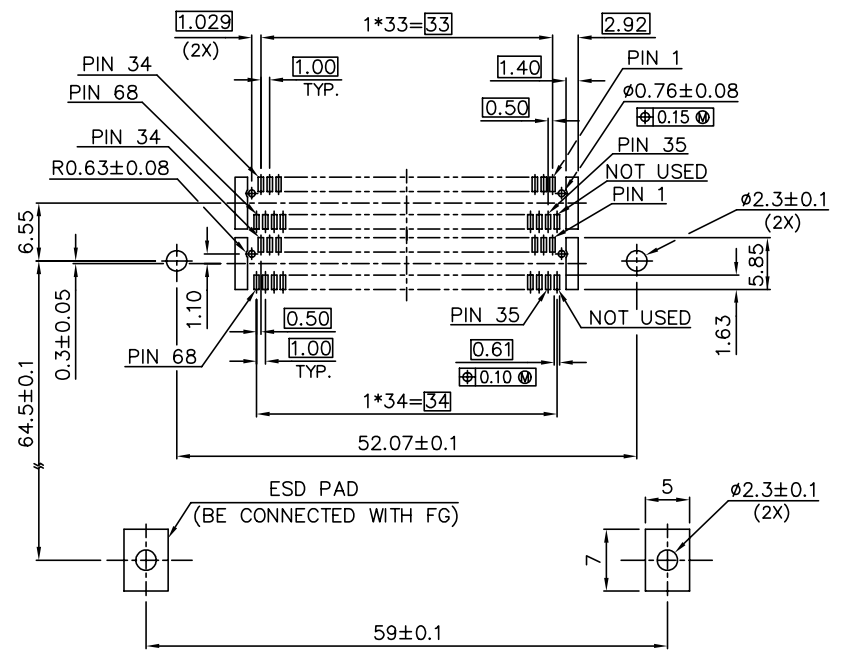
FCI CONFIDENTIAL

FCI
FCIconnect.com

This document is the property of and embodies CONFIDENTIAL and PROPRIETARY information of FCI. No part of this information shown on this document may be used in any way or disclosed to others without the written consent of FCI.
Copyright FCI.

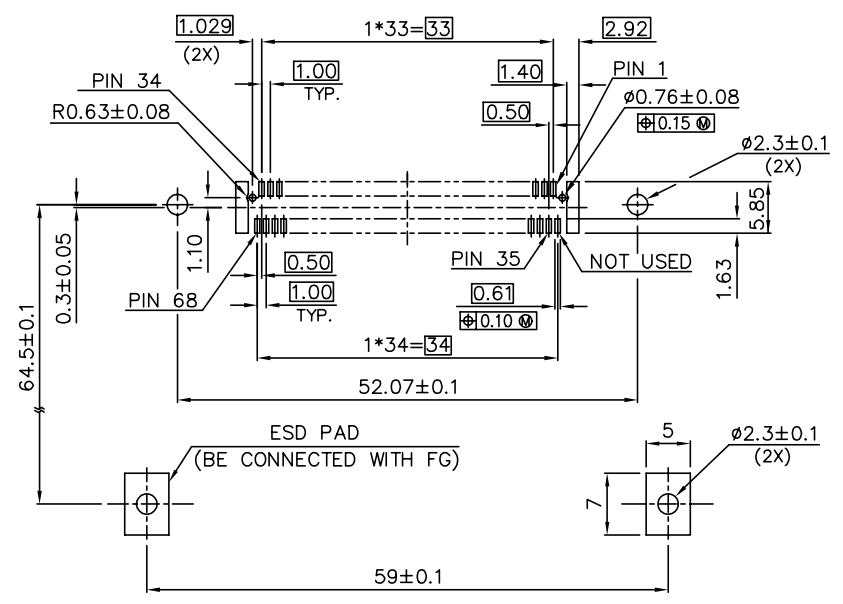
USED FOR 88640-143 WITH 88640-145
USED FOR 88640-150 WITH 88640-155

USED FOR 88640-143LF WITH 88640-145LF
USED FOR 88640-150LF WITH 88640-155LF



RECOMMENDED P.C.B. LAYOUT 6-1 (MOUNTED SIDE)

USED FOR 88640-143
USED FOR 88640-150
USED FOR 88640-143LF
USED FOR 88640-150LF



RECOMMENDED P.C.B. LAYOUT 6-2 (MOUNTED SIDE)

mat'l. code		surface		tolerance		projection		product family	
		ISO 1302		ISO 406 ISO 1181		1:1		EJECTOR HEADER ASS'Y	
ltr ecn no dr date		tolerances unless otherwise specified		linear		MM		68POS. SMT TYP 1/2/3	
J		angles		±2'		scale 1.5 : 1		EJECTOR HEADER ASS'Y	
		dr		WENDY CHEN		12/19/95		sheet 6 of 6 size	
		engr		JOSEPH HSIA		12/19/95		88640	
		chr		JOSEPH HSIA		12/19/95		A4	
		appd		JENN TSAO		12/19/95		type CUSTOMER Drawing	
sheet index		revision sheet							