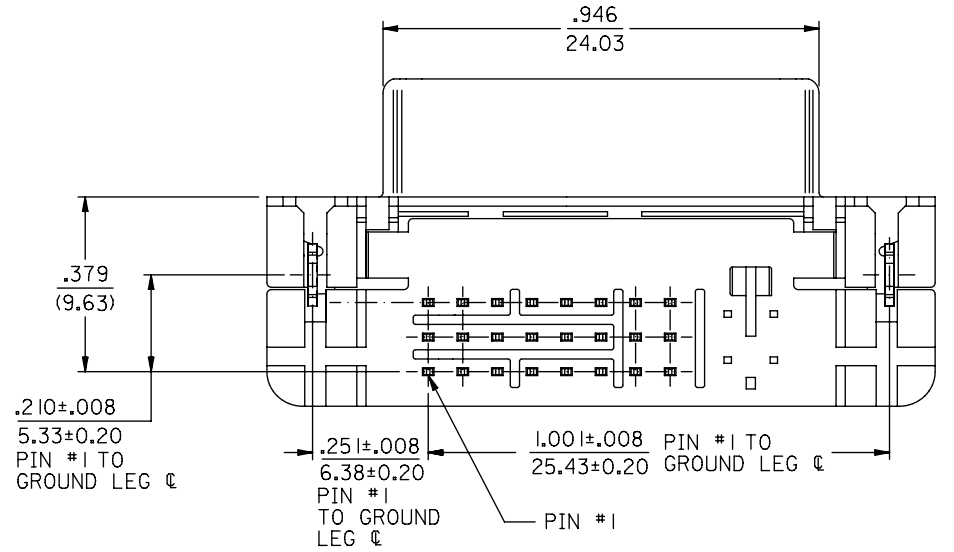
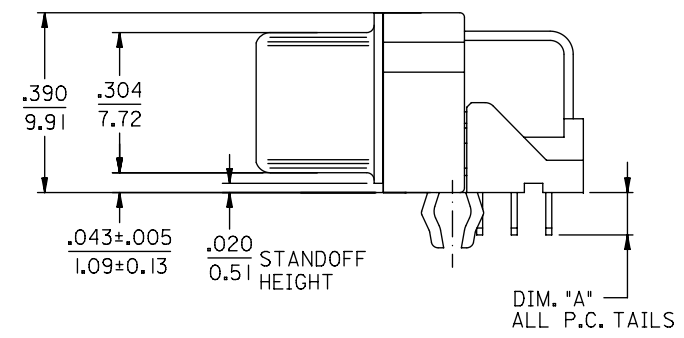
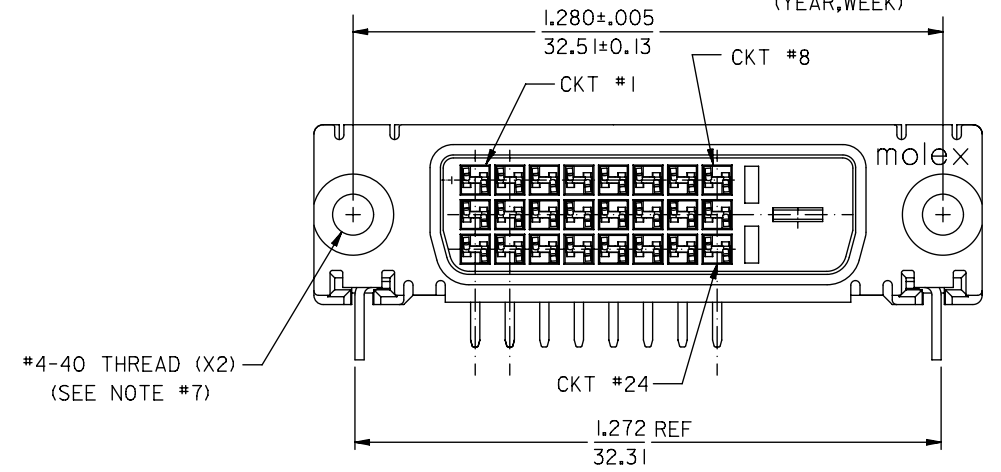
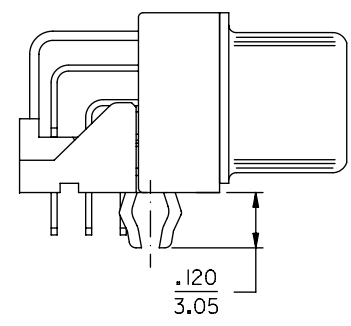
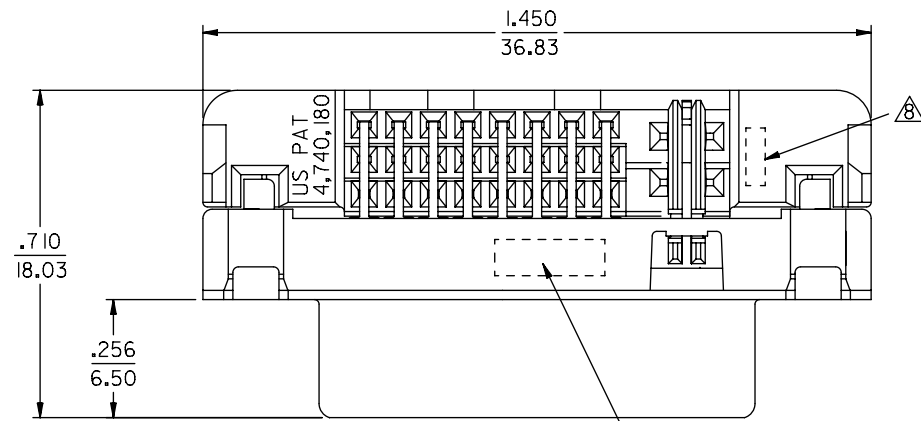


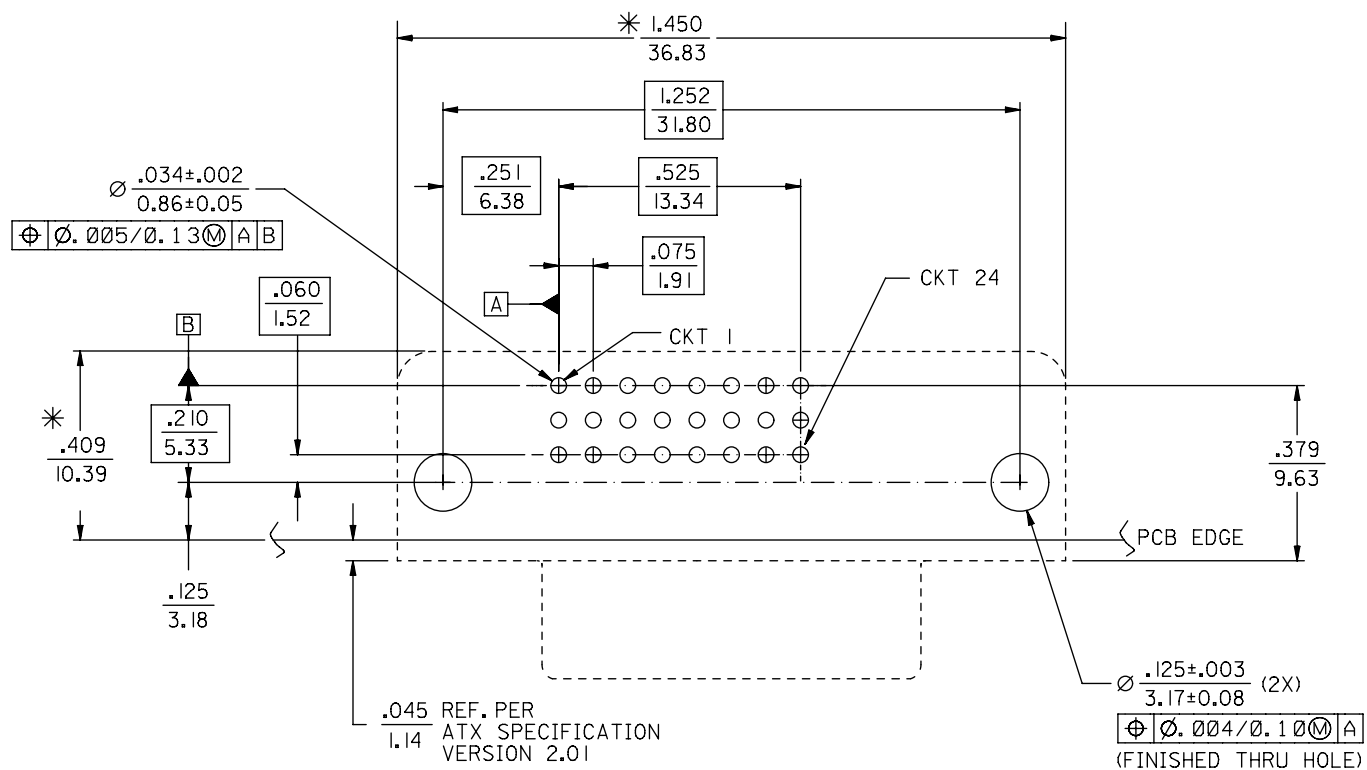
NOTES:

1. MATERIAL:
 SHIELD: DEEP DRAW STEEL;
 HOUSING: LCP, UL94V-0, NATURAL (WHITE);
 TAIL ALIGNER: LCP, UL94V-0, NATURAL (WHITE);
 CONTACT: COPPER ALLOY.
 2. PLATING: SEE SHEET 2.
 3. PRODUCT CONFORMS TO MOLEX PRODUCT SPECIFICATION NUMBER PS-74320-001.
 4. SEE SHEET 2 FOR RECOMMENDED PANEL CUT-OUT AND P.C.B. LAYOUT.
 5. PARTS WILL BE PACKAGED IN TRAYS PER PK-74320-010.
 6. PRODUCT CONFORMS TO DDWG DVI SPECIFICATION. REFER TO THIS SPECIFICATION FOR CONNECTOR MATING DIMENSIONS.
 7. RECOMMENDED MOUNTING HARDWARE IS MOLEX P/N 71781-0001 OR 82007-0300 OR 88780-6066. REFER TO PRODUCT SPECIFICATION NUMBER PS-74320-001 FOR THIS APPLICATION TORQUE REQUIREMENT FOR ASSMBLING MOUNTING HARDWARE.
- ⚠ CAVITY ID AND MANUFACTURING PLANT CODE.



74320-9006	2	.110/2.79
74320-9004	2	.092/2.34
74320-9000	1	.092/2.34
PART NUMBER	PLATING OPTION	DIM A

THIS DRAWING CONTAINS INFORMATION THAT IS PROPRIETARY TO MOLEX ELECTRONIC TECHNOLOGIES, LLC AND SHOULD NOT BE USED WITHOUT WRITTEN PERMISSION											
QUALITY SYMBOLS		CHANGE SHELL PLATING EC NO: 118825 DRWN: XQZHANG CHK'D: XQZHANG APPR: AYIN 2016/08/17 2016/08/16 2017/07/10	GENERAL TOLERANCES (UNLESS SPECIFIED)		DIMENSION UNITS		SCALE		<p>DVI-D/ATX RIGHT ANGLE RECEPTACLE CONNECTOR, W/FORKLOCK</p> <p>PRODUCT CUSTOMER DRAWING</p>		
FA	= 0		4 PLACES ± 0.01		INCH		1:1				
FE	= 0		3 PLACES ± 0.01		DRWN BY		DATE				
FB	= 0		2 PLACES ± 0.01		XJSONG		2011/08/19				
FC	= 0		1 PLACE ±		CHK'D BY		DATE		SERIES		
FD	= 0		0 PLACES ±		XJSONG		2011/08/19		74320		
FE	= 0		DRAFT WHERE APPLICABLE MUST REMAIN WITHIN DIMENSIONS		APPR BY		DATE		MATERIAL NUMBER		
FF	= 0				RZHANG		2011/08/22		SEE TABLE		
FG	= 0				DRAWING SIZE		THIRD ANGLE PROJECTION		CUSTOMER		
FH	= 0				A3				GENERAL MARKET		
RELEASE STATUS		RELEASE DATE		DOCUMENT NUMBER		DOC TYPE		DOC PART		SHEET NUMBER	
				SD-74320-009		PSD		000		1 OF 2	



RECOMMENDED PCB LAYOUT

COMPONENT SIDE OF PCB SHOWN

* THESE DIMENSIONS REPRESENT CONNECTOR OVERLAY ON PCB.

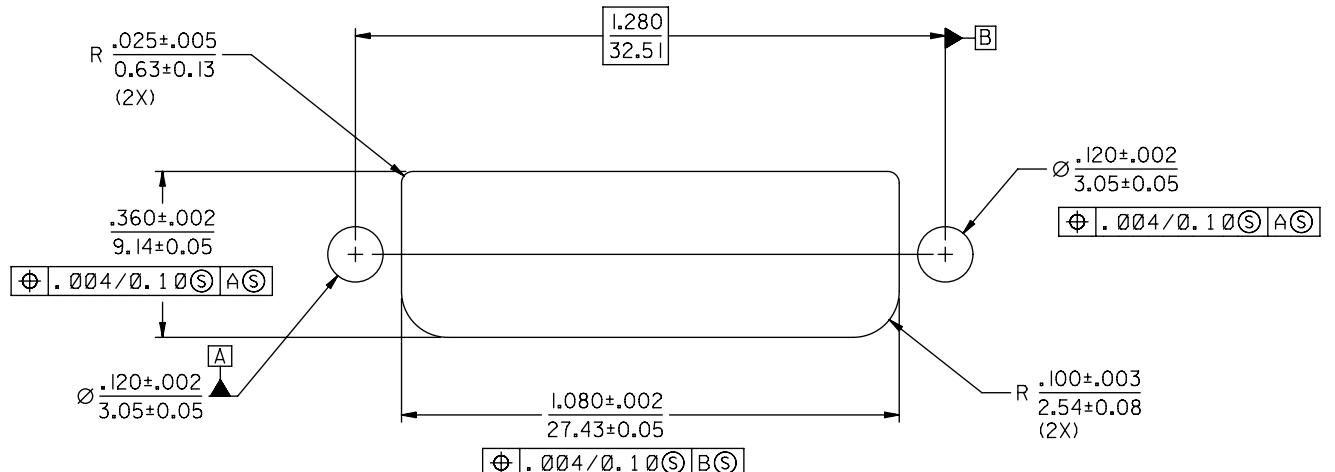
PLATING OPTIONS:

PLATING OPTION #1:

OUT SHIELD -- 60u"/(1.5um) MIN. SOLDERABLE NICKEL OVER
 30u"/(0.75um) MIN. COPPER OVERALL.
 .075"/(1.91mm) CONTACTS -- 30u"/(0.75um) MIN. SELECT GOLD AND
 100u"/(2.50um) MIN. SELECT PURE TIN
 OVER 50u"/(1.27um) MIN. NICKEL OVERALL.

PLATING OPTION #2:

OUT SHIELD -- 60u"/(1.5um) MIN. SOLDERABLE NICKEL OVER
 30u"/(0.75um) MIN. COPPER OVERALL.
 .075"/(1.91mm) CONTACTS -- SELECT GOLD FLASH AND
 100u"/(2.50um) MIN. SELECT PURE TIN
 OVER 50u"/(1.27um) MIN. NICKEL OVERALL.



RECOMMENDED PANEL CUT-OUT

PANEL THICKNESS: .030"-.040"

THIS DRAWING CONTAINS INFORMATION THAT IS PROPRIETARY TO MOLEX ELECTRONIC TECHNOLOGIES, LLC AND SHOULD NOT BE USED WITHOUT WRITTEN PERMISSION										
QUALITY SYMBOLS FA = 0 FE = 0 FB = 0 FV = 0 FC = 0 FX = 0 FS = 0 FT = 0	CHANGE SHELL PLATING EC NO: 118825 DRWN: XQZHANG CHK'D: XQZHANG REV APPR: AYIN 2016/08/17 2016/08/16 2017/07/10	GENERAL TOLERANCES (UNLESS SPECIFIED) ANGULAR TOL ± 1.0 ° 4 PLACES ± 0.01 3 PLACES ± 0.01 2 PLACES ± 0.01 1 PLACE ± 0 PLACES ±		DIMENSION UNITS INCH	SCALE 1:1					
		DRAFT WHERE APPLICABLE MUST REMAIN WITHIN DIMENSIONS		DRAWING SIZE A3	THIRD ANGLE PROJECTION					DVI-D/ATX RIGHT ANGLE RECEPTACLE CONNECTOR, W/FORKLOCK
PRODUCT CUSTOMER DRAWING						SERIES 74320	MATERIAL NUMBER SEE TABLE	CUSTOMER GENERAL MARKET		
RELEASE STATUS: RELEASE DATE:						DOCUMENT NUMBER SD-74320-009		DOC TYPE PSD	DOC PART 000	SHEET NUMBER 2 OF 2