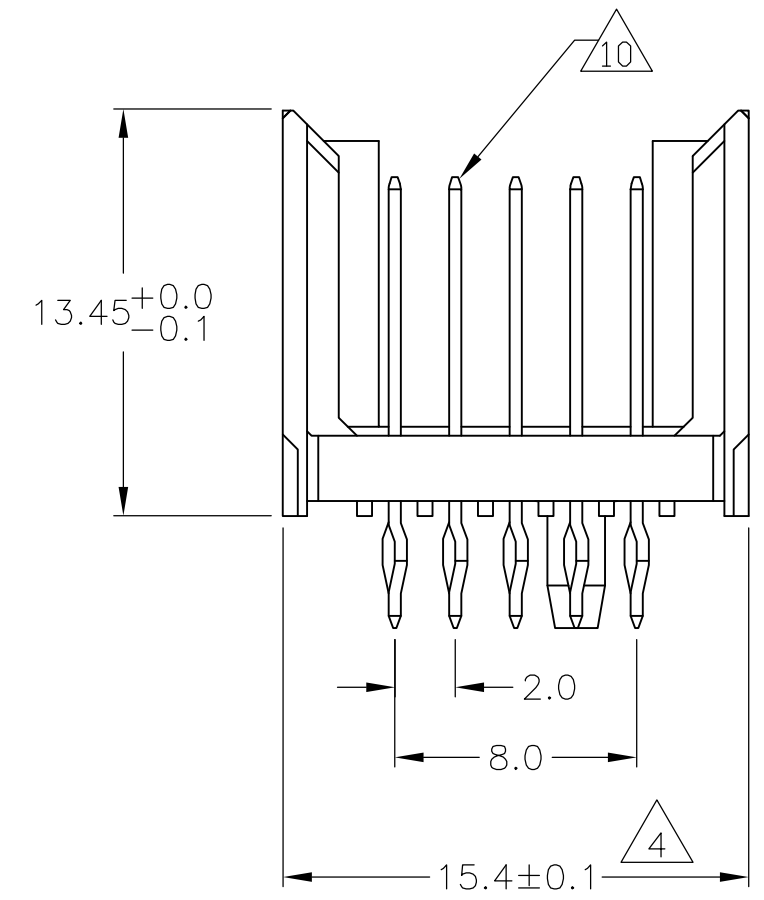
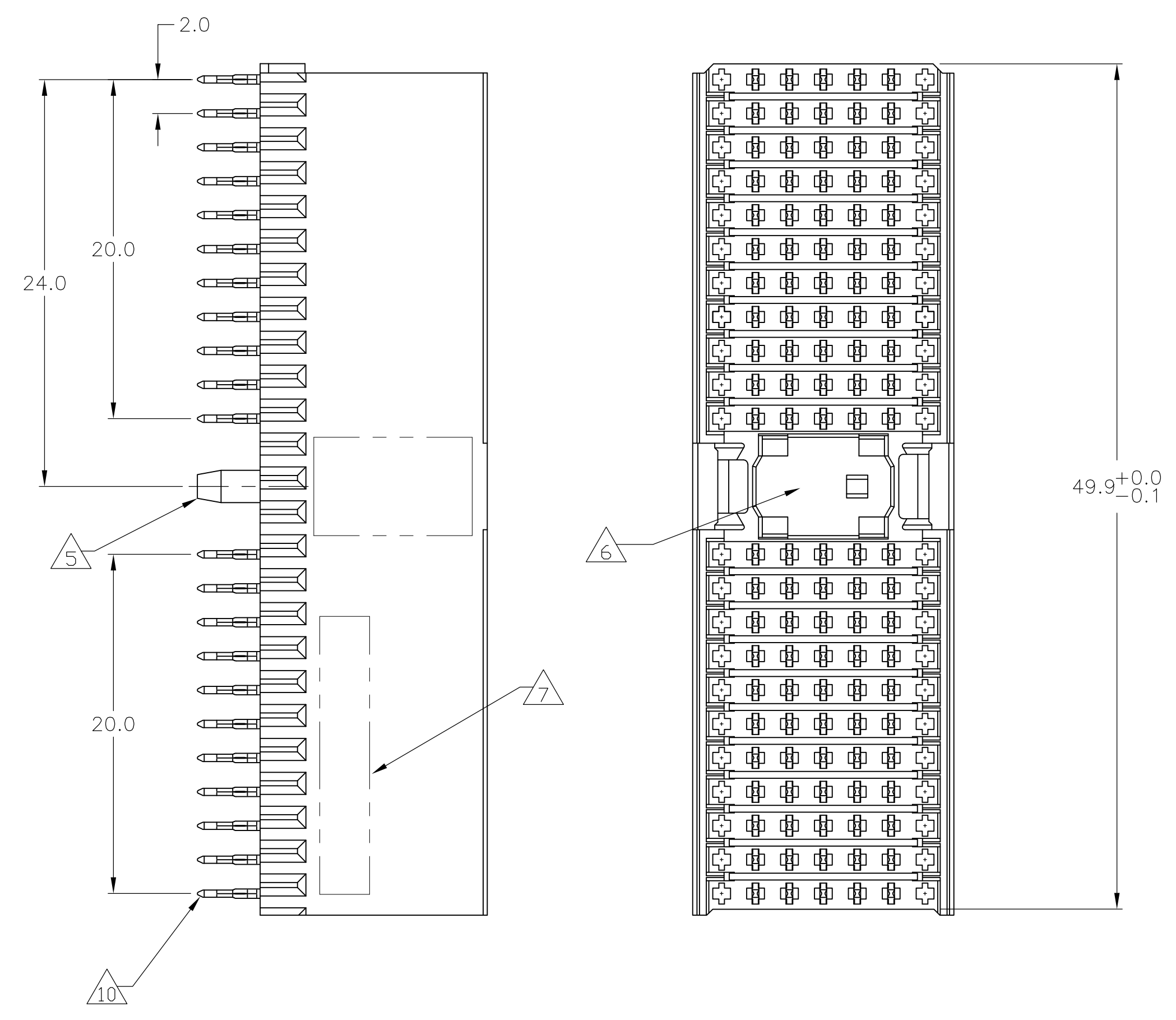
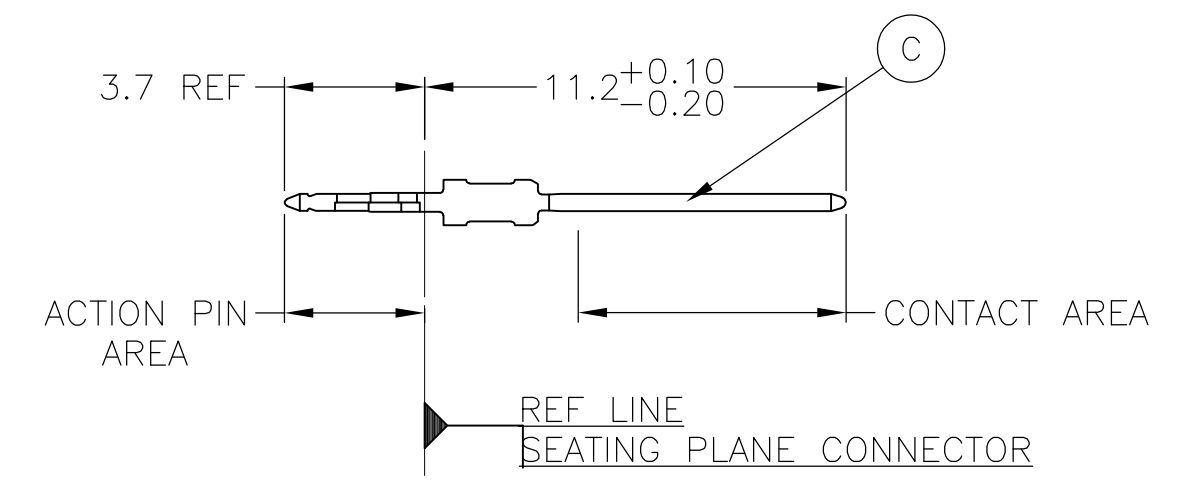


LOC		DIST		REVISIONS			
P	LTR	DESCRIPTION	DATE	DN	APVD		
0		REVISED PER ECO-06-011368	16MAY06	JDP	GES		
A		ECR-10-019054	15SEP10	DP	MQW		

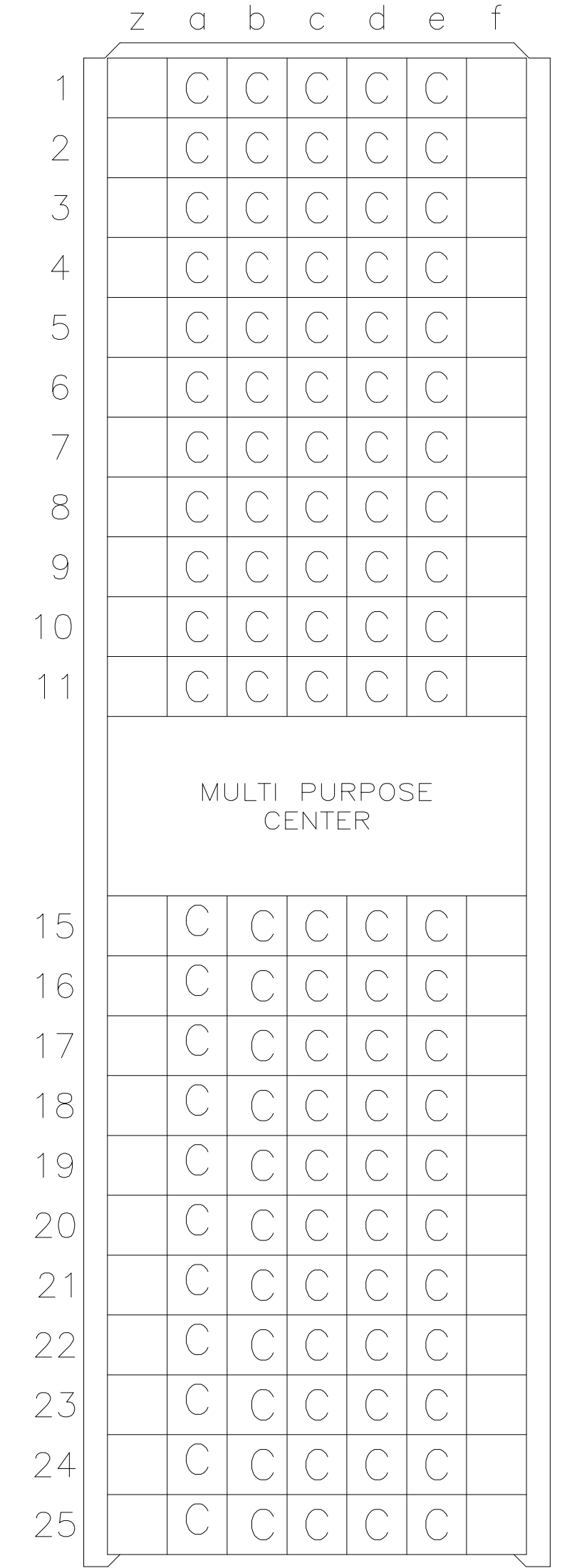
### CONNECTOR ASSEMBLY EXAMPLARY LOADED



### CONTACT DIMENSIONS SCALE 5:1

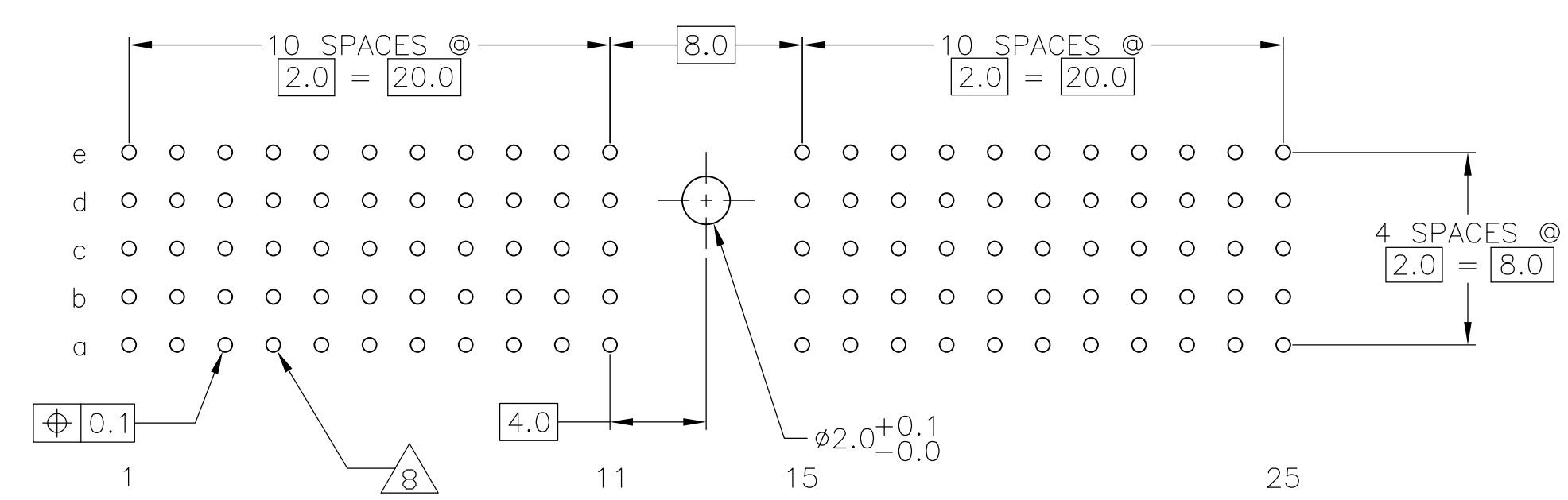


### CONTACT LAYOUT



### RECOMMENDED PCB-HOLE LAYOUT COMPONENT SIDE SHOWN

### PLATED THRU HOLES PARAMETERS REFERENCE APPLICATION SPECIFICATION



2	3	1645256-1
FINISH		PART NUMBER

THIS DRAWING IS A CONTROLLED DOCUMENT.		DIN J. POLIGNONE 20FEB06		Tyco Electronics Corporation Harrisburg, Pa 17105-3608	
DIMENSIONS: mm		TOLERANCES UNLESS OTHERWISE SPECIFIED:		NAME	
0-PLC ±		1-PLC ±0.1		108-19082	
2-PLC ±		3-PLC ±		114-19029	
4-PLC ±		ANGLES		SIZE CAGE CODE DRAWING NO	
MATERIAL		FINISH SEE TABLE		A1 00779 C=1645256	
		WEIGHT		RESTRICTED TO	
		CUSTOMER DRAWING		SCALE 4:1 SHEET 1 OF 2 REV A	

LOC	DIST	REVISIONS			
AD	00	REV	DATE	BY	APPV
		1	SEE SHEET 1		

- 1 MATERIAL:  
CONTACT: PHOSPHOR BRONZE.  
HOUSING: GLASS-FILLED POLYESTER.
- 2 GENERAL PLATING SPECIFICATION: UNDERPLATING  
(ENTIRE CONTACT): 1.27μm MIN NICKEL AND ACTION  
PIN: 0.5μm MIN TIN/LEAD.  
FOR PLATING OF MATING SURFACES SEE APPLICABLE  
SPECIFICATION REFERENCE FOR EACH DASH NUMBER.
- 3 CONFORMS TO ALL TESTING ACCORDING TO IEC 61076-4-101  
PERFORMANCE LEVEL 2.
- 4 TO BE MEASURED AT BOTTOM OF SHROUD.
- 5 POLARIZATION FEATURE.
- 6 AREA RESERVED FOR KEYING PART (BASIC P/N 100525).
- 7 CONNECTOR MARKED WITH PART NUMBER AND DATE CODE.  
ADDITIONAL CHARACTERS OR MARKINGS, AS WELL AS THE LOCATION OF THE MARKINGS,  
MAY BE ADDED FOR TRACEABILITY BASED UPON MANUFACTURERS DISCRETION.
- 8 PLATED-THROUGH HOLES AT 2x2mm SQUARE GRID  
PATTERN DEFINED BY CONTACT LAYOUT.
- 9 FOR ACTUAL PIN LOADING SEE "CONTACT LAYOUT".
- 10 FOR ACTUAL PIN DIMENSIONS SEE "CONTACT DIMENSIONS".

THIS DRAWING IS A CONTROLLED DOCUMENT.		DIN J. POLIGNONE 20FEB08	Tyco Electronics Corporation Harrisburg, Pa 17105-3608	
DIMENSIONS: mm		CHK G. SKIPPER 20FEB08	NAME MALE ASSEMBLY, Z-PACK 2mm HM, TYPE A	
TOLERANCES UNLESS OTHERWISE SPECIFIED: 0-PLC ± 1-PLC ±0.1 2-PLC ± 3-PLC ± 4-PLC ± ANGLES ±		APPV G. SKIPPER 20FEB08	PRODUCT SPEC 108-19082	
MATERIAL SEE SHEET 1		APPLICATION SPEC 114-19029	SIZE A1	RESTRICTED TO
FINISH SEE SHEET 1		WEIGHT -	CAGE CODE 00779	DRAWING NO 1645256
		CUSTOMER DRAWING		SCALE 4:1 SHEET 2 OF 2 REV A