

1

2

3

4

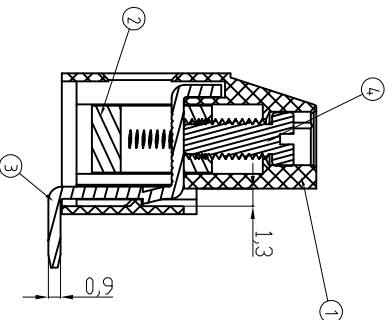
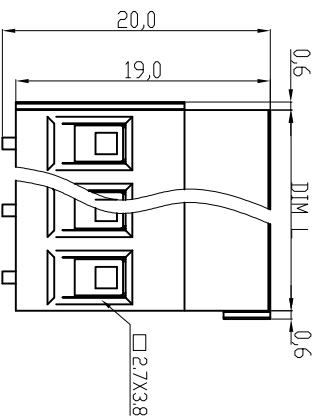
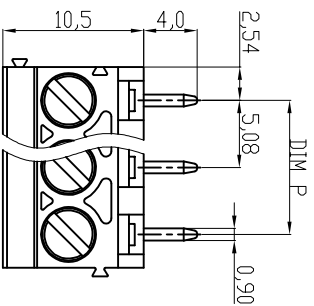
5

6

7

Material

- ① Terminal housing: Thermoplastic (UL94V-0), GREEN
- ② Clamp: Brass, Ni plated
- ③ Wire guard solder pin: Brass, Tin plated
- ④ Terminal screw: Steel Zinc plating "-" slot type

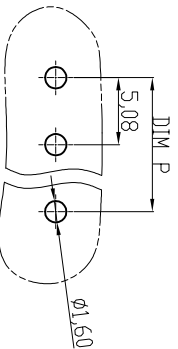


DIMENSION

L	Nx5.08
P	(N-1)x5.08

N=Number of poles

Poles	Tolerance
2p-6p	±0.15
7p-12p	±0.20
13p-18p	±0.25
19p-24p	±0.30



RECOMMENDER PCB LAYOUT

RoHS compliant



File No.: E349947

Scale	1:1							
TOLERANCE								
X.	±0.50							
X.X	±0.30							
X.XX	±0.10							
DIM	TOL	①	Add the UL File No.	19.04.2016	Winnie			
X.°	±1°	②	Drawn	19.04.2010	Alex			
Angle	TOL		Modification					



WSW/ components

Customer-No.

ASSMANN WSW-No.
A-TB508-VJxxV

Drawing-No.

ASS 4111 CO

rev01

Replace

Sheet

1

2

3

4

5

6

7

H

G

F

E

D

C

B

A

H

G

F

E

D

C

B

A