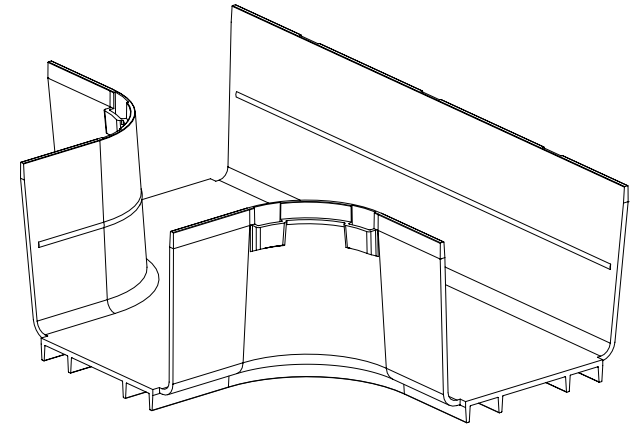
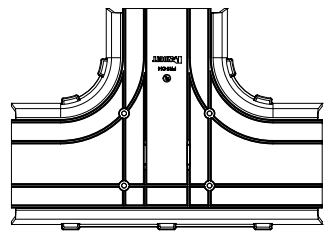
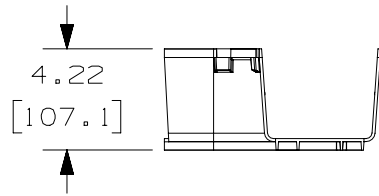
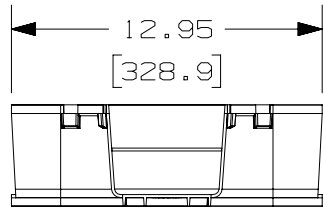
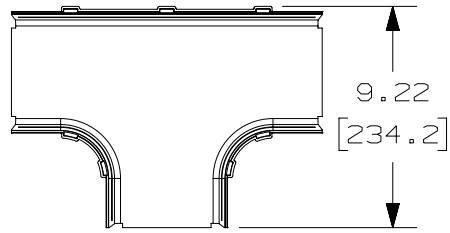


THIS COPY IS PROVIDED ON A RESTRICTED BASIS AND IS NOT TO BE USED IN ANY WAY DETRIMENTAL TO THE INTERESTS OF PANDUIT CORP.



PANDUIT PART NUMBER	WEIGHT
FRT4X4	1.06 LB/EACH (483g/EACH)

NOTES:

1. SEE CURRENT CATALOG FOR ADDITIONAL PART SUFFIXES TO INDICATE COLOR AND/OR PACKAGE QUANTITY.
2. THE FIBERRUNNER 4x4 HORIZONTAL TEE FITTING IS DESIGNED WITH A MINIMUM 2" (50.8) BEND RADIUS TO PROTECT FIBER OPTIC CABLES.
3. DIMENSIONS IN PARENTHESES ARE IN METRIC.

REV	DATE	BY	CHK	APR	DESCRIPTION	ECN
3	02-06-17	SSP	DWR		F. REVISED GEOMETRY TO ADD 4 RIBS & 4 BOSSES WITH HOLES	37847-52
2	05-02-13	JBN	RTFI	RN	E. UPDATED DRAWING BORDER & TITLE BLOCK	37847-52

TITLE		FIBERRUNNER 4X4 HORIZONTAL TEE FITTING - FRT4X4	
CUSTOMER DRAWING			
ITEM REVISION NAME		D37847BI/08	
DATASET FILE NAME		D37847BI_DC_FRT4X4/08A	
UNLESS OTHERWISE SPECIFIED, DIMENSIONAL TOLERANCES ARE: IN ( mm )		MATERIAL:	
.X ± .XX ± .03 [ .8 ]		ABS	
.XXX ± ANGLES ±		DRAWING NUMBER:	
THIRD ANGLE PROJECTION		37847-52	
DRAWN BY	DATE	CHK	SCALE
JHNU	07-13-01	RPA	NONE
SHT 1 OF 1		SIZE A	

D10100DA/15