

THIS DRAWING IS UNPUBLISHED.

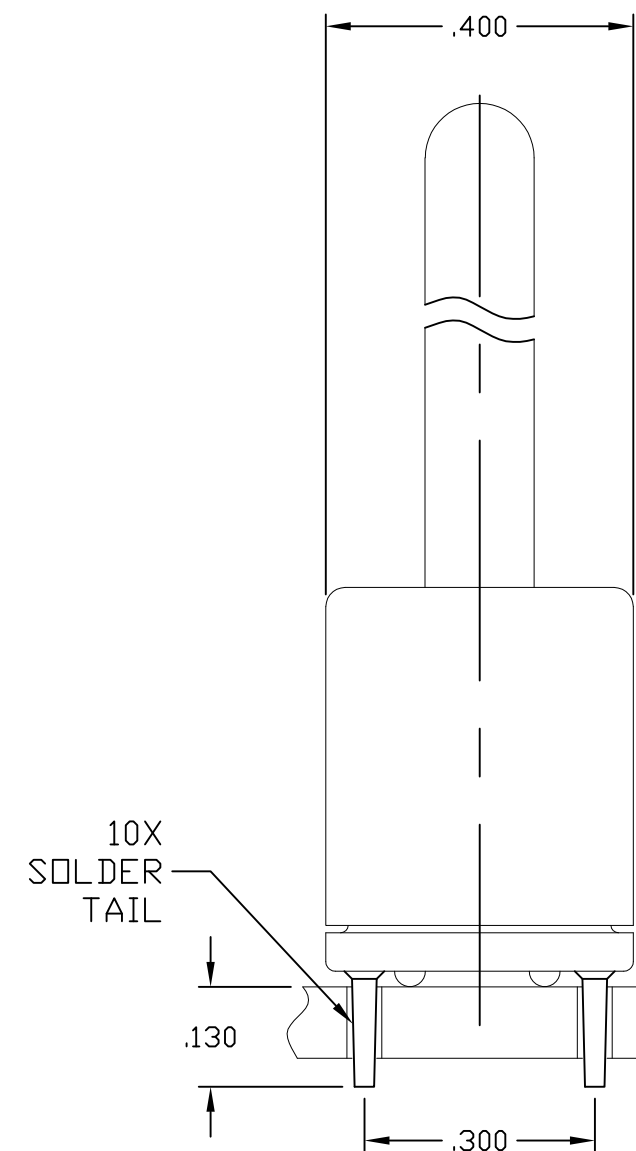
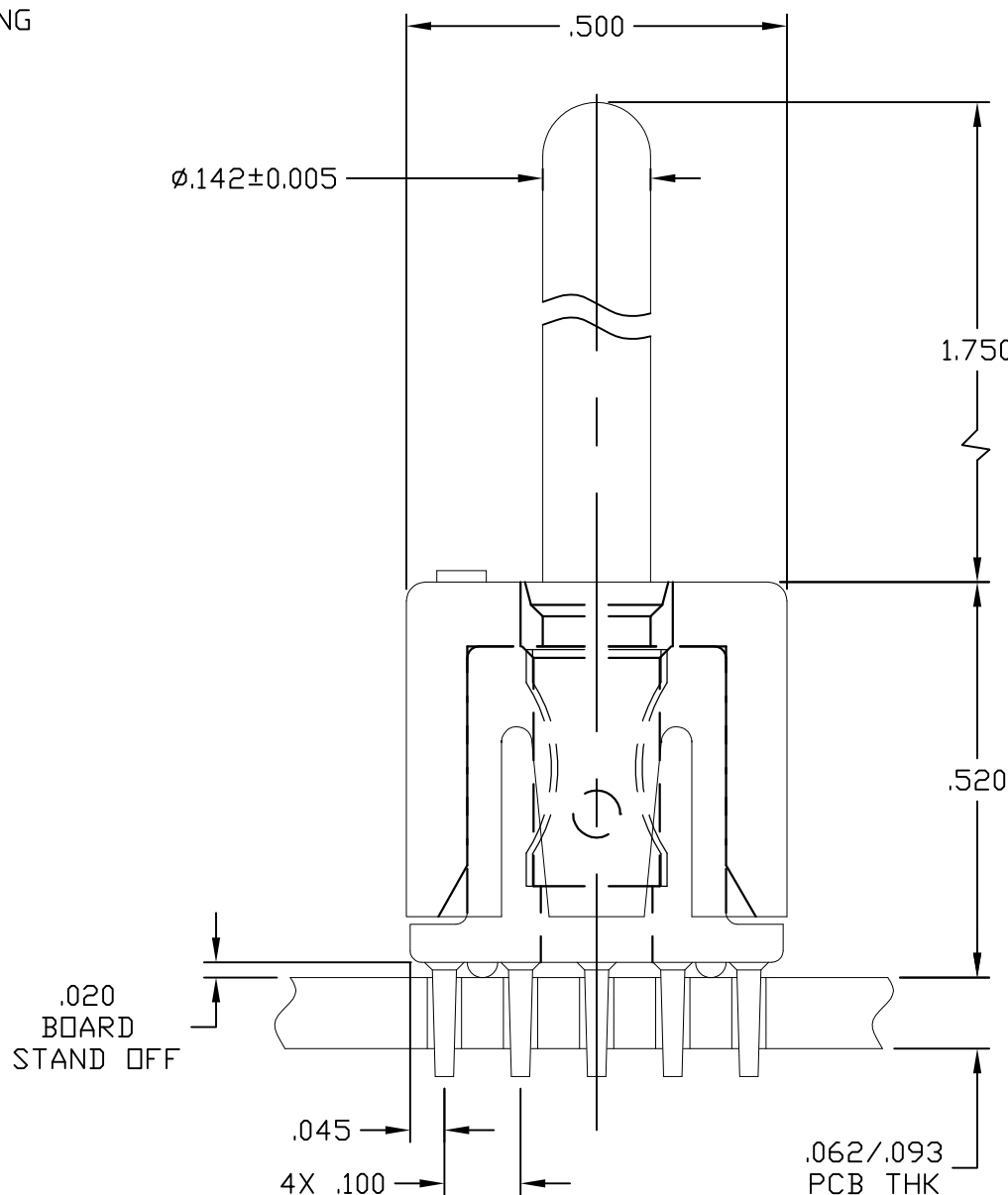
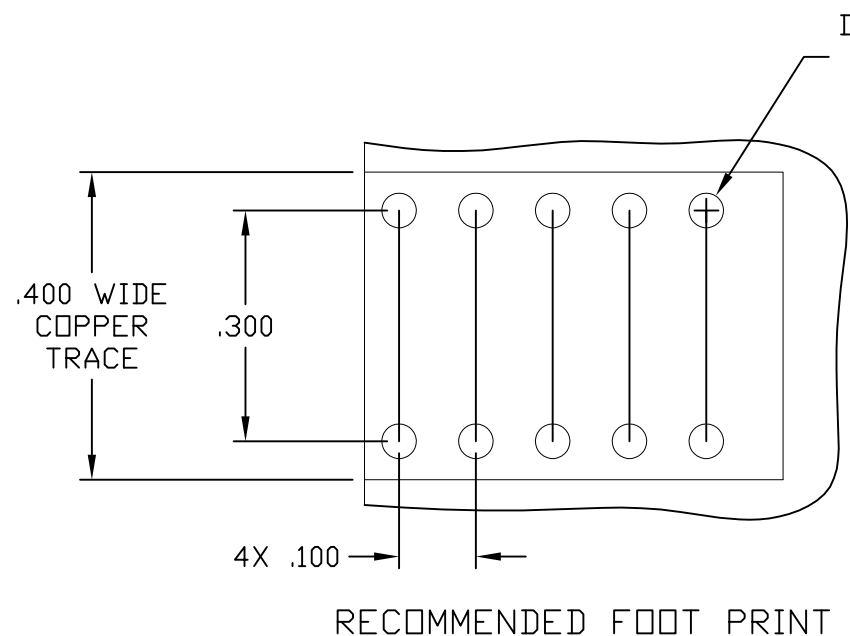
RELEASED FOR PUBLICATION

ALL RIGHTS RESERVED.

LOC GP DIST 00

REVISIONS

P	LTR	DESCRIPTION	DATE	DWN	APVD
C		REV PER ECO-11-007678	11JUL011	RG	DO



5. A FIVE POUND (5lb) FORCE IS REQUIRED TO CORRECTLY SEAT THE CONNECTOR WITH PLATED THRU HOLES LESS THAN Ø.040 INCH.

4. FINISHES:

CROWN: GOLD PLATED, .000030 MIN THICK OVER NICKEL PLATED, .000040 MIN THICK.

INSERT: SILVER PLATED, .000200 MIN THICK, OVER NICKEL PLATED, .000040 MIN THICK.

CONTACT: SILVER PLATED, .000200 MIN THICK, OVER NICKEL PLATED, .000040 MIN THICK.

3. MATERIALS:

HOUSING: THERMOPLASTIC, GLASS REINFORCED, COLOR-BLACK UL94V-0 FLAMMABILITY RATED

INSERT: ZINC ALLOY, CASTING


CROWN: COPPER ALLOY

CONTACT: BRASS ALLOY

2. ITEMS PROVIDED TO THIS SPECIFICATION SHALL BE IDENTIFIED ON THE CONTAINER WITH THE FOLLOWING INFORMATION: PART NUMBER & DATE CODE OF MANUFACTURE.

1. INTERCHANGEABILITY REQUIRE PRIOR TE APPROVAL AND AUTHORIZATION BY REVISION TO THIS DRAWING.

6643441-1
PART NUMBER

THIS DRAWING IS A CONTROLLED DOCUMENT.		DWN 12JAN2011 HA/GRZYBOWSKI	 TE Connectivity		
DIMENSIONS: INCHES		CHK - ORRIS			
TOLERANCES UNLESS OTHERWISE SPECIFIED:		APVD 12JAN2011	ICCON, PIN, SIZE No.8, PERPENDICULAR SOLDER TAIL, 10 PIN FOOT PRINT NON LOCKING STYLE, 1.750 PIN EXT		
0 PLC ± -		PRODUCT SPEC	SIZE		
1 PLC ± -		APPLICATION SPEC	CAGE CODE		DRAWING NO
2 PLC ± .02		WEIGHT -	A3 00779		RESTRICTED TO -
3 PLC ± .010		CUSTOMER DRAWING			
4 PLC ± -		SCALE 4:1			
ANGLES ± .5		SHEET 1 OF 1			
FINISH -		REV C			